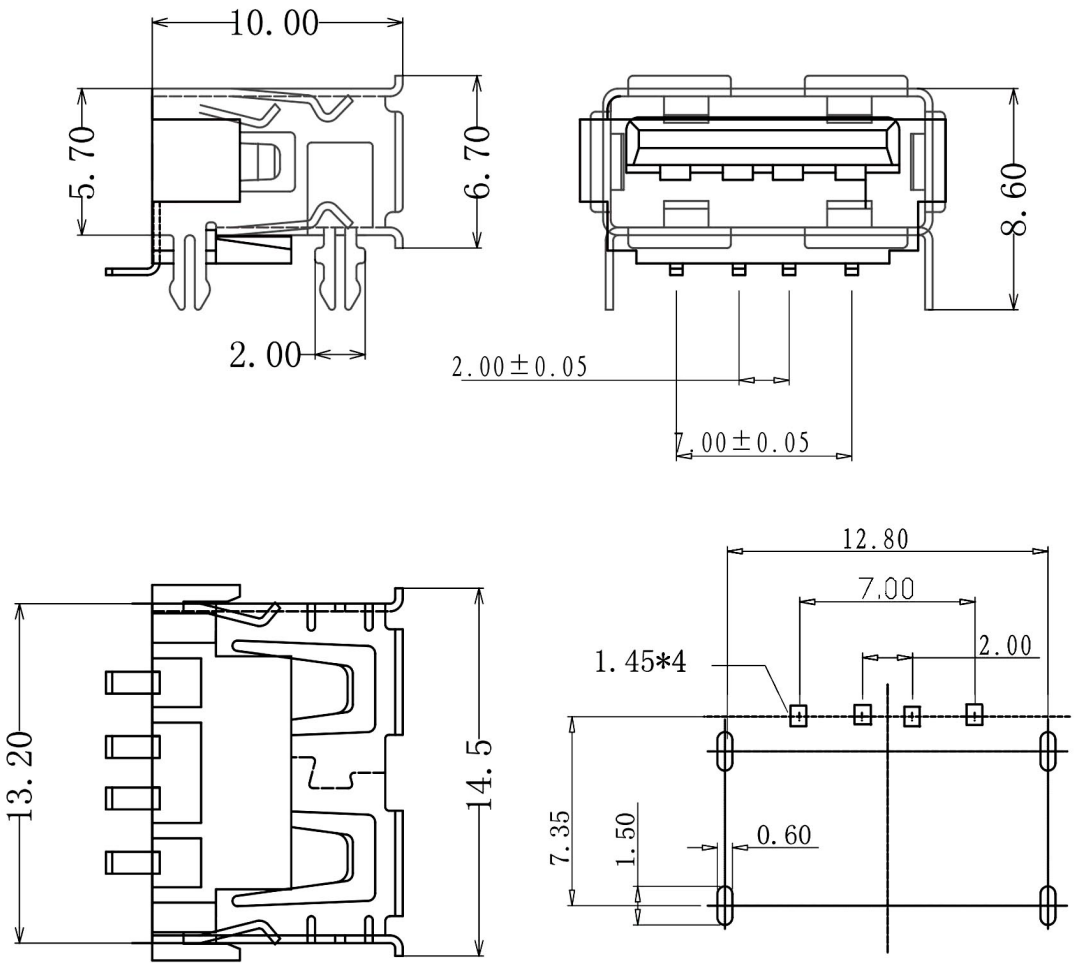


1 2 3 4 5 6 7 8

A
B
C
D
E
F
G
H

A
B
C
D
E
F
G
H



RECOMMENDED P.C.B LAYOUT

- NOTES:
- MATERIAL SPECIFICATION
 - INSULATION MATERIAL: THERMOPLASTIC(LCP)
 - SHELL: IORN
 - TERMINAL: COPPER ALLOY, T:0.25mm
PLATING: GOLD/TIN PLATED.
 - ELECTRICAL CHARACTERISTIC:
 - INSULATION RESISTANCE: 1000MΩ MIN.
 - CONTACT RESISTANCE: 30mΩ MAX.
 - WITHSTANDING VOLTAGE: 500V AC.
 - MECHANICAL CHARACTERISTICS:
 - INSERTION FORCE: 3.57Kgf MAX.
 - EXTRACTION FORCE: 1.02Kgf MIN.

| TOLERANCE | | | | | |
|-----------|--------|--------|--------|--------|------|
| | X. | X. X | X. XX | X. XXX | X. ° |
| A | ± 0.20 | ± 0.10 | ± 0.05 | ± 0.03 | ± 1° |
| B | ± 0.50 | ± 0.20 | ± 0.10 | ± 0.05 | ± 2° |
| C | ± 0.80 | ± 0.40 | ± 0.20 | ± 0.10 | ± 3° |

RoHS
Compliant

HSM 玄茂科技股份有限公司
HSUAN MAO TECHNOLOGY CO., LTD.

APPD.
核准
Betty
DATE 制表日
2016/09/09

SCALE
比例 参考
UNIT
單位 M M
PAGE
張數 1 OF 1

TOLERANCE
容許公差
.0 ±
.00 ±
ANG. ±
SIZE.
紙張尺寸 A 4
REV.
版次 A
PART NAME 品名
USB A TYPE DIP TYPE 4P FEMALE HORIZONTAL
TYPE SMT TYPE WITH 4 METAL BOARDLOCK
BLACK COLOR ROHS
PART NO.
料號 C8330-04AFDFXBR

1 2 3 4 5 6 7 8