

1

2

3

4

5

6

7

8

A

B

C

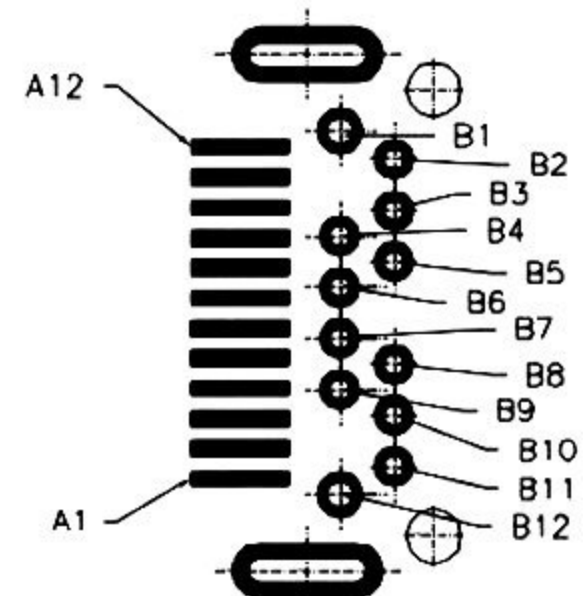
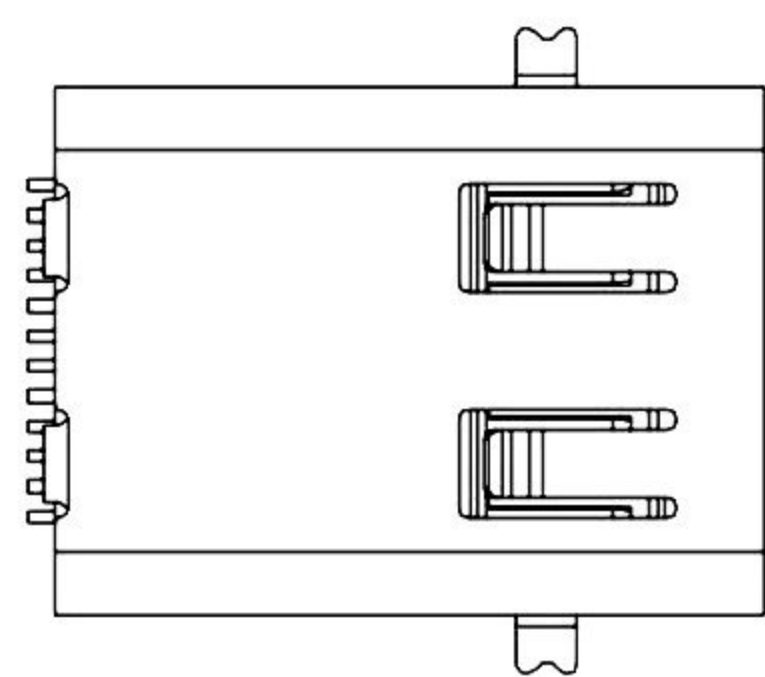
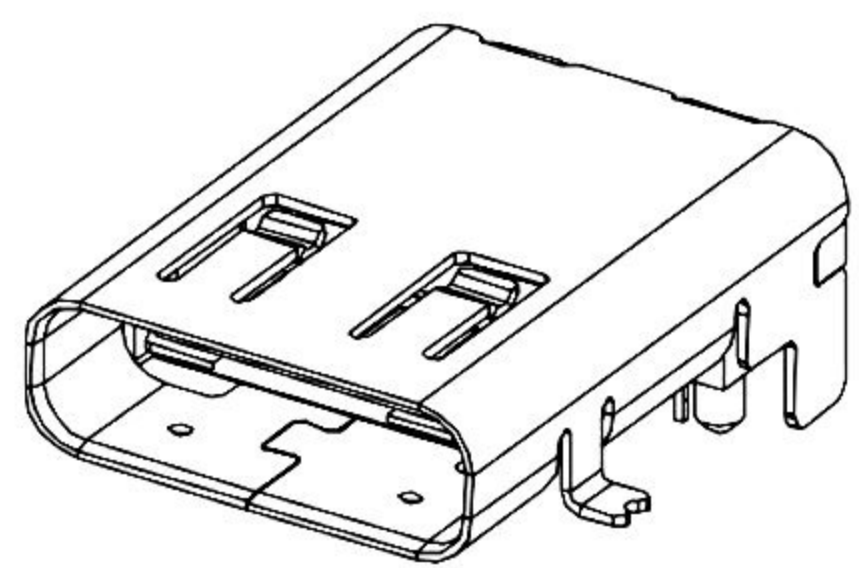
D

E

F

G

H



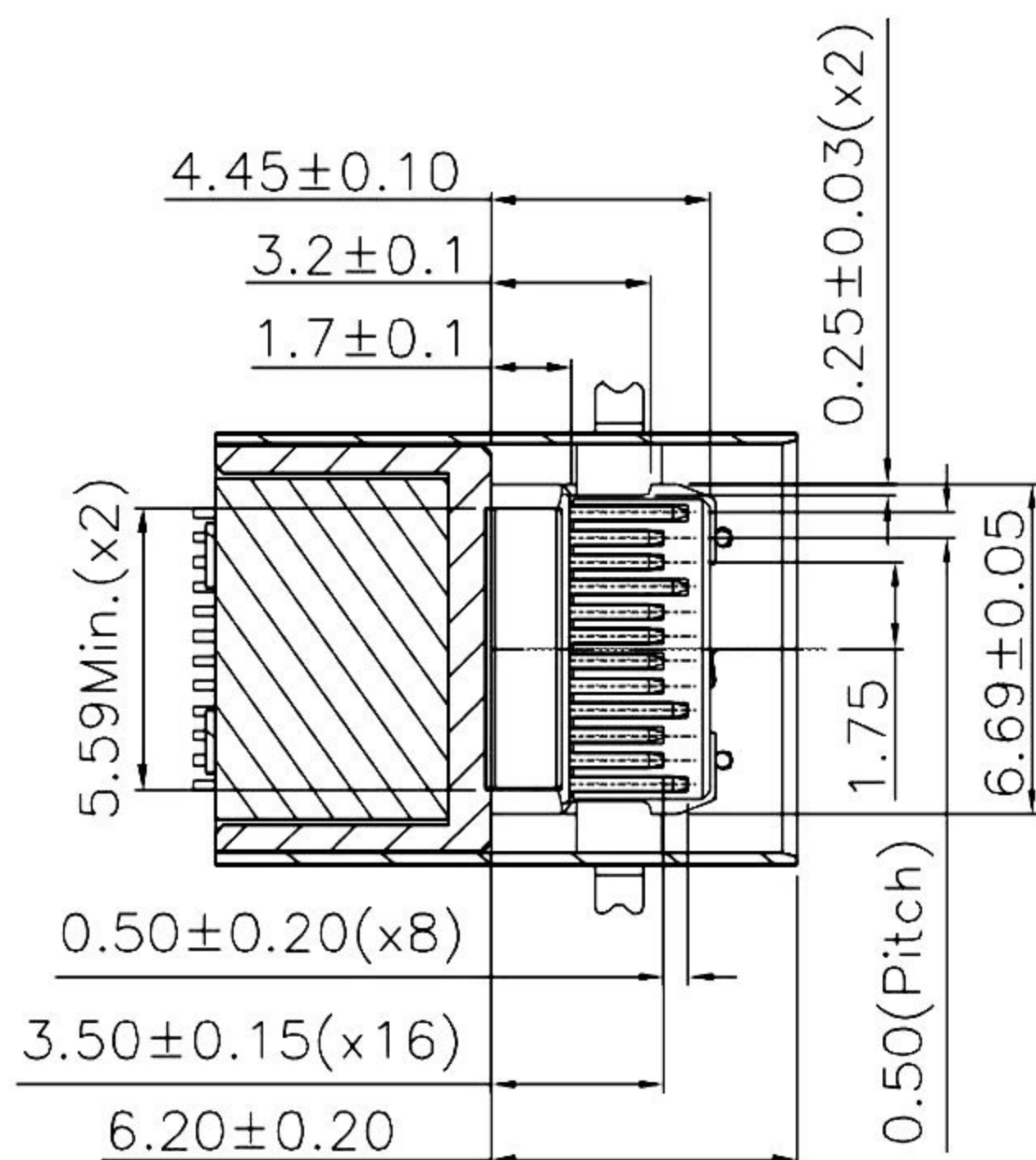
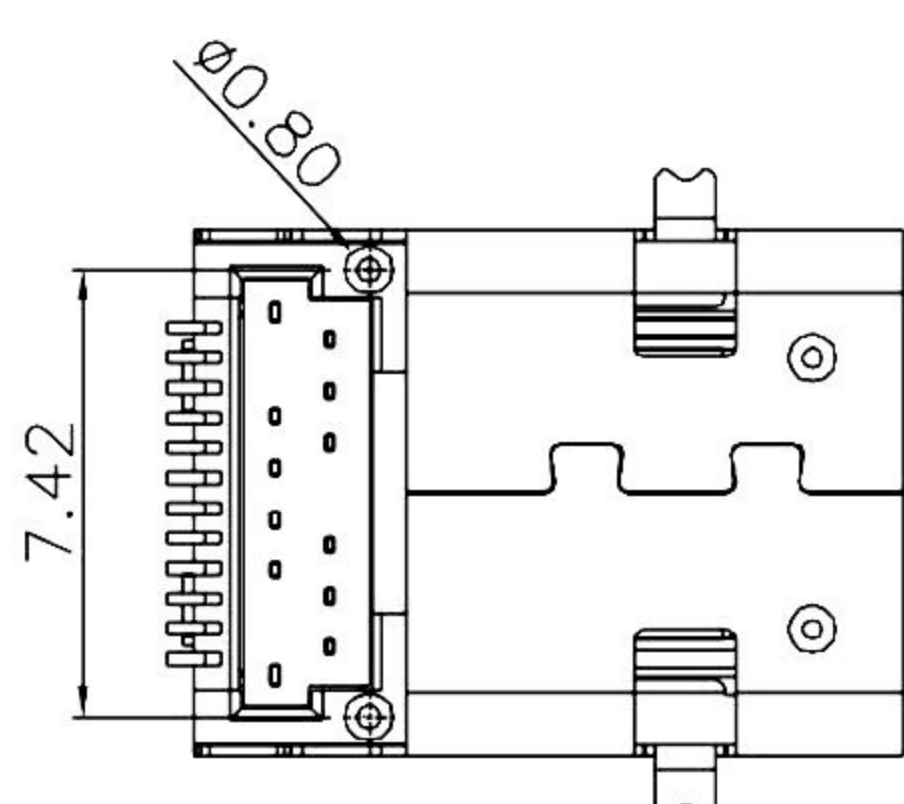
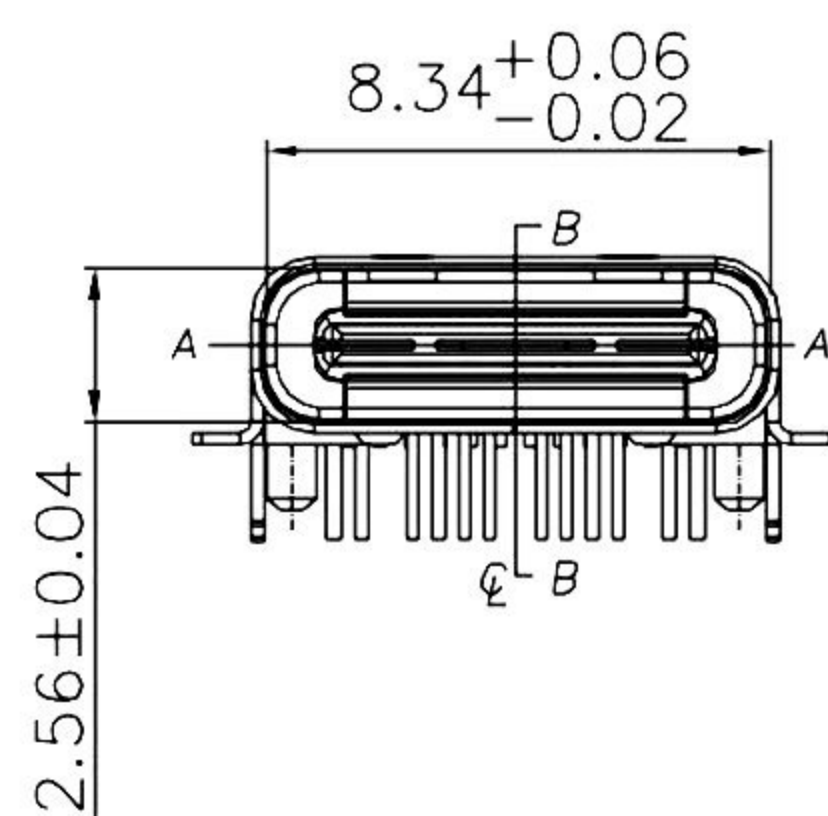
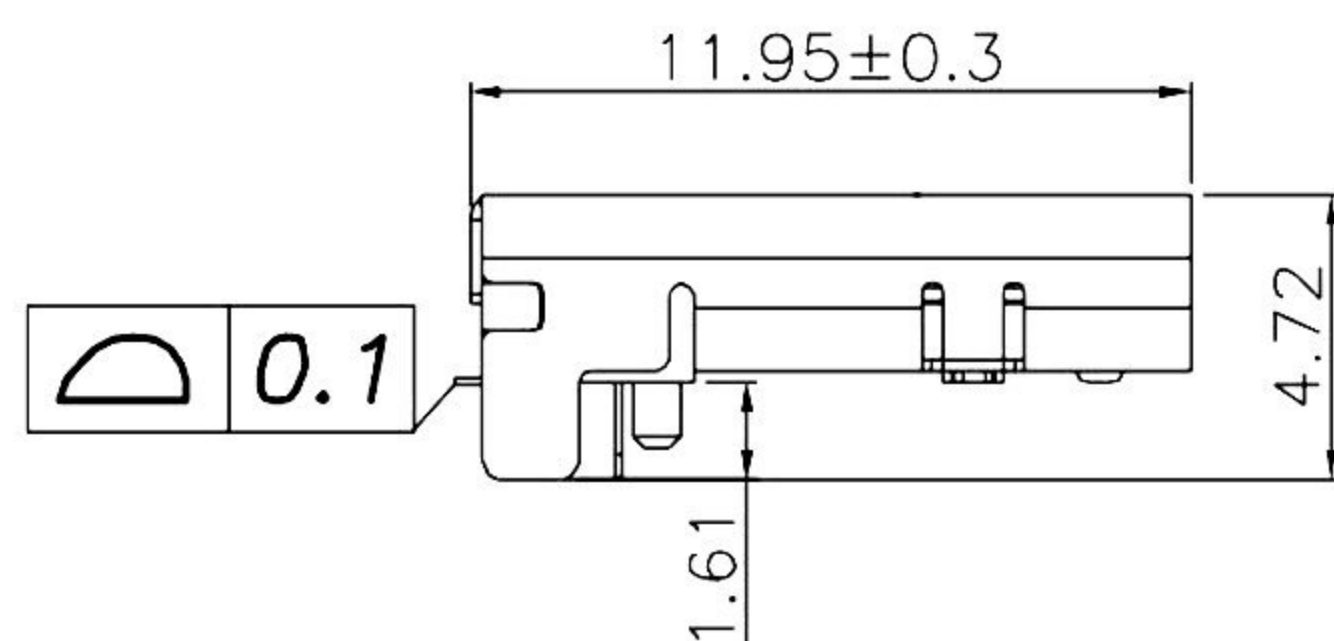
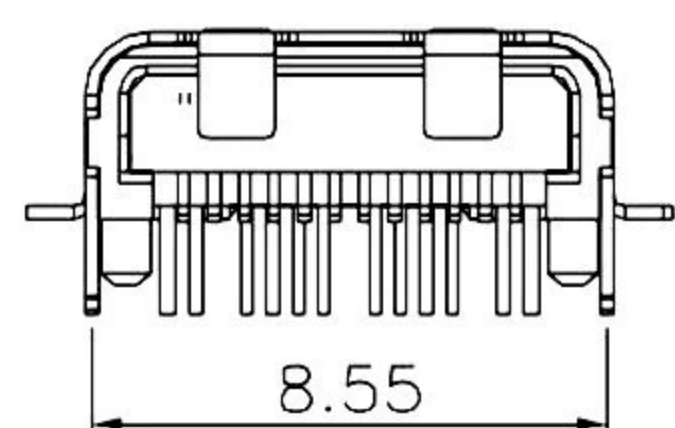
Material:

Housing: PA9T+30% Glass Fiber, UL 94V-0

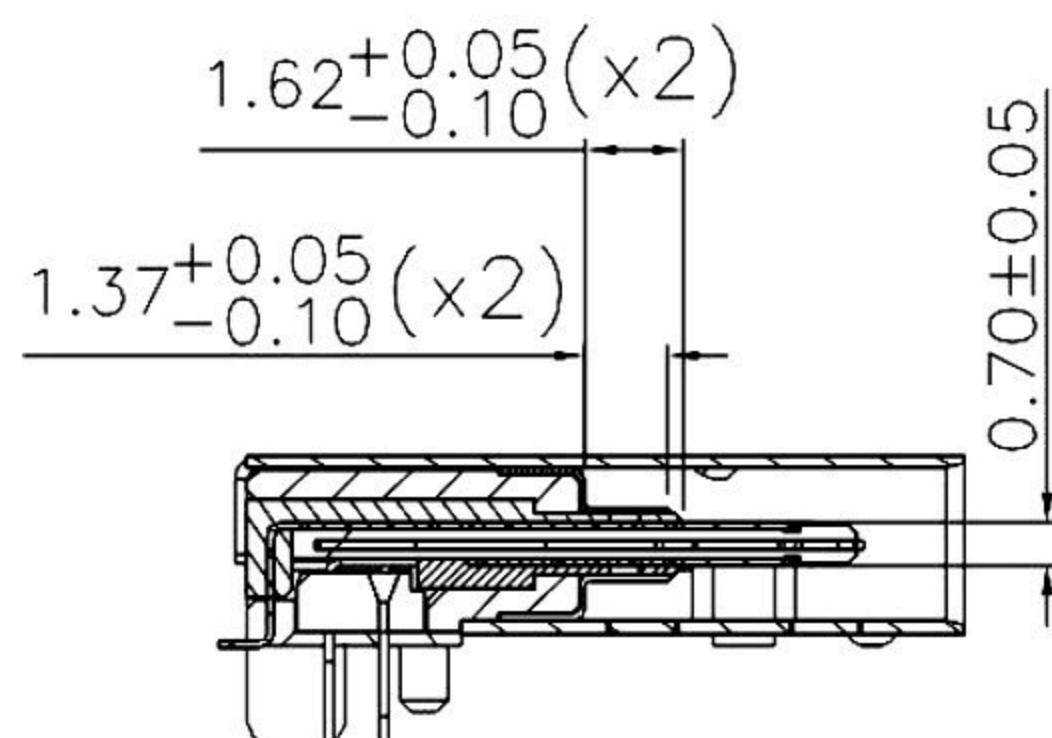
Terminal: Copper Alloy, Gold Plated

Shell: SUS304, Nickel Plated.

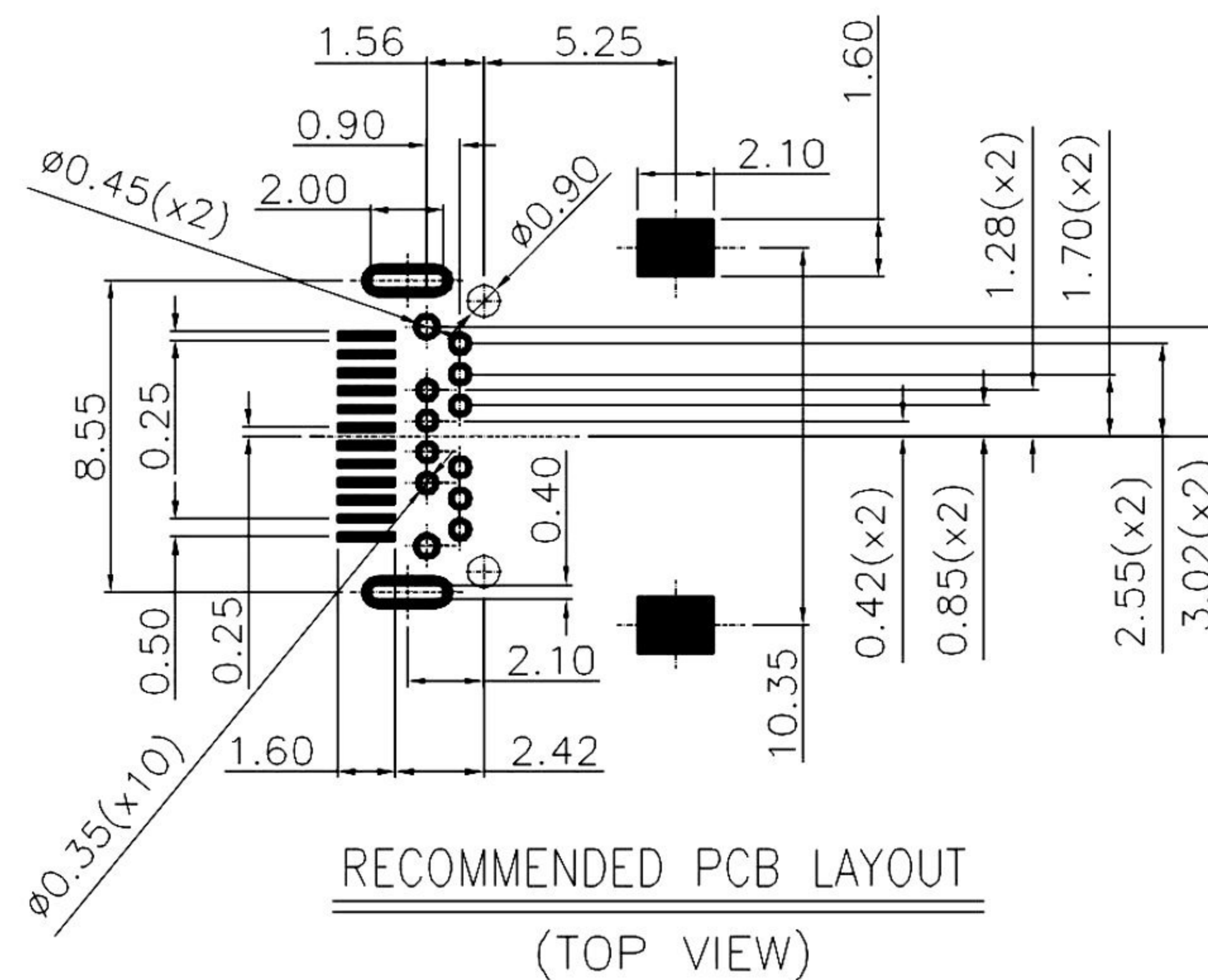
PIN	SIGNAL NAME	PIN	SIGNAL NAME
A1	GND	B12	GND
A2	SSTXp1	B11	SSTXp1
A3	SSTXn1	B10	SSTXn1
A4	Vbus	B9	Vbus
A5	CC1	B8	CC1
A6	Dp1	B7	Dp1
A7	Dn1	B6	Dn1
A8	RFU1	B5	RFU1
A9	Vbus	B4	Vbus
A10	SSTXn2	B3	SSTXn2
A11	SSTXp2	B2	SSTXp2
A12	GND	B1	GND



SECTION A-A



SECTION B-B



RECOMMENDED PCB LAYOUT (TOP VIEW)

<b>RoHS Compliant</b>		<b>HSM 玄茂科技股份有限公司</b> <b>HSUAN MAO TECHNOLOGY CO., LTD.</b>	
APPD. 核准 <b>HELEN</b>		<b>TOLERANCE 容許公差</b> .X ±0.30 .XX ±0.25 .XXX ±0.15 Ang. ±2°	<b>PART NAME 品名</b> USB 3.1 Version C Type P.C.B TYPE 24Pin Female PIN:SMT TYPE*12Pin+DIP TYPE*12Pin (MATTE TIN PIN) NICKEL SHELL BLACK COLOR (NYLON9T) REEL PACKING ROHS
DWG. 製圖 <b>ABBY</b>	<b>SCALE 比例 參考</b> UNIT 單位 <b>MM</b>	<b>SIZE. 紙張尺寸</b> <b>A4</b>	<b>PART NO. 料號</b> <b>C8333-24CFBxBRR</b>
DATE 制表日 <b>2015/07/02</b>	<b>PAGE 張數</b> 1 OF 1	<b>REV. 版次</b> <b>B</b>	

1

2

3

4

5

6

7

8