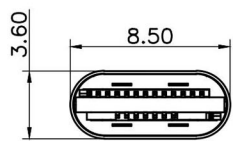


1 2 3 4 5 6 7 8

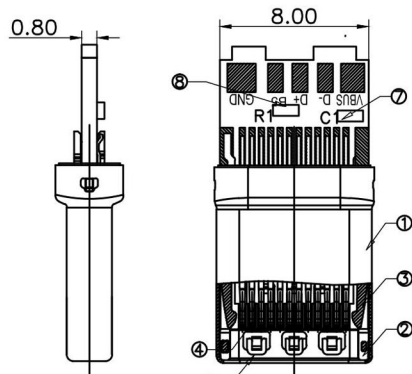
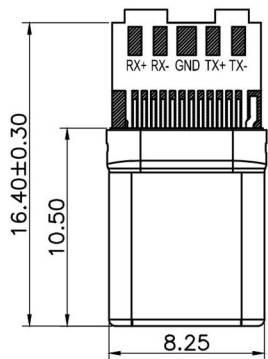
A



A12	A11	A10	A9	A8	A7	A6	A5	A4	A3	A2	A1
GND	RX2+	RX2-	VBUS	SBU1	D-	D+	CC	VBUS	TX1+	TX1-	GND
GND	TX2+	TX2-	VBUS	Vcomp			SBU2	VBUS	RX1+	RX1-	GND
B1	B2	B3	B4	B5	B6	B7	B8	B9	B10	B11	B12

B

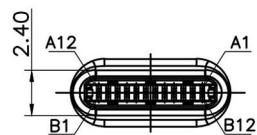
C



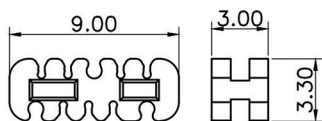
D

E

F



G



線夾尺寸圖

P2	A5	P8	A1,A12,B1,B12,Shell	P9	B2
P3	A6	P7	B10	P10	B3
P4	A7	P6	B11	R1	56KΩ
P5	A4,A9,B4,B9	P1	A1,A12,B1,B12,Shell	C1	10nf

H

Technical Parameters:

1. Electrical characteristics:

- Contact Current Rating: 3 Amperes.
- Rated voltage: 20V / DC maximum.
- Withstand voltage: AC 100V minimum.
- Insulation resistance: 100 MΩ minimum.
- Contact resistance: 40 mΩ max.
- Contact resistance after endurance: 50 mΩ max

2. Environmental characteristics:

Operating Temperature: -30 ° C ~ +85 ° C.

3. Material:

- Housing: LCP+30% G.F., UL94V-0, Black
- Terminal: Phosphor Bronze, C5210, Gold Plated On Contact Area.
Tin Plated On Solder Tails.
Nickel Underplated Overall.

Shell: Stainless Steel, Nickel Plated.

Latch: Stainless Steel, Tin Or Nickel Plated

Spring: Stainless Steel

A

B

C

D

E

F

G

H

1 2 3 4 5 6 7 8

<p>RoHS Compliant</p>	<p>HSM 玄茂科技股份有限公司</p> <p>HSUAN MAO TECHNOLOGY CO., LTD.</p>	
	<p>APPD. 核准</p> <p>DWG. 製圖 Hedy</p> <p>DATE 制表日 2018/12/10</p>	<p>SCALE 比例 參考</p> <p>UNIT 單位 MM</p> <p>PAGE 張數 1 / 1</p>
<p>PART NAME 品名</p> <p>USB C TYPE 24Pin Male</p> <p>Clip Type With P.C.B Board</p> <p>Selective Gold Plating Nickel Shell Black Color</p> <p>ROHS</p>		
<p>PART NO. 料號 C8334-24MYSBN1R</p>		