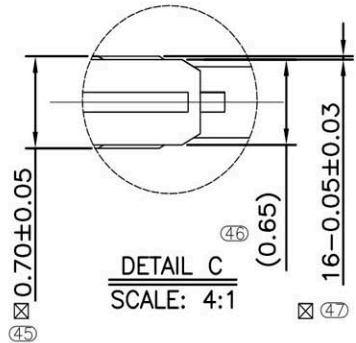
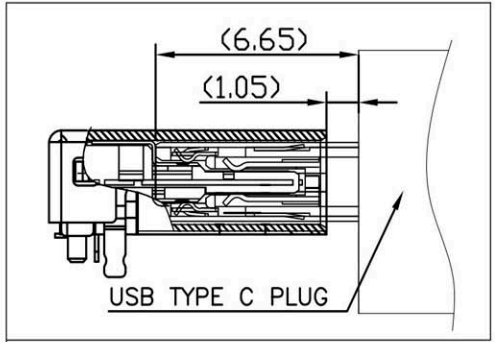
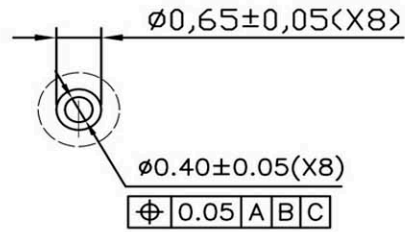
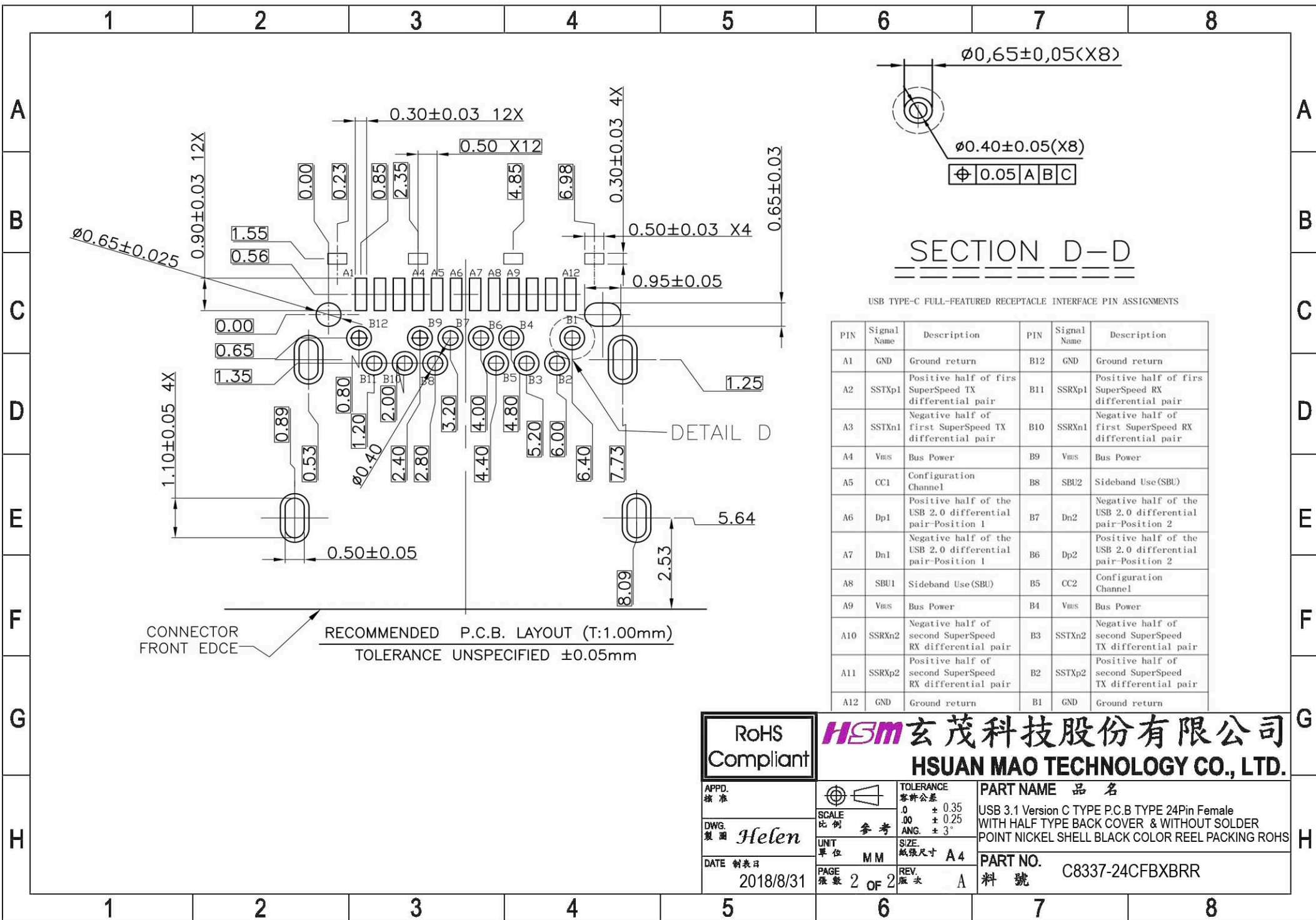


MATERIAL:
 1. HSU:LCP+30%GF, UL94-V0.
 2. TERMINAL:C18400, T:0.12mm, FLATING:OPTION
 3. SHELL:STAINLESS STEELT:0.30mm, NICK PLATING.

ELECTRICAL:
 1. RATED CURRENT:3A MAX.
 2. CONTACT IMPEDANCE:40mΩ. MAX.
 3. INSULATION RESISTANCE:100mΩ MIN.
 4. RATED VOLTAGE:30V MAX.
 5. WITHSTAND VOLTAGE:AC100V r. m. s.
 6. INSERTION FORCE(MIN):5~20N
 EXTRACTION FORCE:8~20N
 7. LIFE TEST:10,000cycles.
 8. OPERATING TEMPERATURE:-30°C~85°C
 9. EXTRACTION FORCE(MIN):10N.
 10. SOLDER TEMPERATURE:260±5°C, 3~5s



RoHS Compliant		HSM 玄茂科技股份有限公司 HSUAN MAO TECHNOLOGY CO., LTD.	
APPD. 核准 DWG. 製圖 DATE 制表日 2018/8/31	SCALE 比例 參考 UNIT 單位 MM PAGE 張數 2 OF 1	TOLERANCE 容許公差 0 ± 0.35 .00 ± 0.25 ANG. ± 3° SIZE 線規尺寸 A4 REV. 版本 A	PART NAME 品名 USB 3.1 Version C TYPE P.C.B TYPE 24Pin Female WITH HALF TYPE BACK COVER & WITHOUT SOLDER POINT NICKEL SHELL BLACK COLOR REEL PACKING ROHS PART NO. 料號 C8337-24CFBXBRR



USB TYPE-C FULL-FEATURED RECEPTACLE INTERFACE PIN ASSIGNMENTS

PIN	Signal Name	Description	PIN	Signal Name	Description
A1	GND	Ground return	B12	GND	Ground return
A2	SSTXp1	Positive half of first SuperSpeed TX differential pair	B11	SSRXp1	Positive half of first SuperSpeed RX differential pair
A3	SSTXn1	Negative half of first SuperSpeed TX differential pair	B10	SSRXn1	Negative half of first SuperSpeed RX differential pair
A4	VBUS	Bus Power	B9	VBUS	Bus Power
A5	CC1	Configuration Channel	B8	SBU2	Sideband Use(SBU)
A6	Dp1	Positive half of the USB 2.0 differential pair-Position 1	B7	Dn2	Negative half of the USB 2.0 differential pair-Position 2
A7	Dn1	Negative half of the USB 2.0 differential pair-Position 1	B6	Dp2	Positive half of the USB 2.0 differential pair-Position 2
A8	SBU1	Sideband Use(SBU)	B5	CC2	Configuration Channel
A9	VBUS	Bus Power	B4	VBUS	Bus Power
A10	SSRXn2	Negative half of second SuperSpeed RX differential pair	B3	SSTXn2	Negative half of second SuperSpeed TX differential pair
A11	SSRXp2	Positive half of second SuperSpeed RX differential pair	B2	SSTXp2	Positive half of second SuperSpeed TX differential pair
A12	GND	Ground return	B1	GND	Ground return

RoHS
Compliant

HSM 玄茂科技股份有限公司
HSUAN MAO TECHNOLOGY CO., LTD.

APPD. 核准		TOLERANCE 容許公差	PART NAME 品名
DWG. 製圖	SCALE 比例	0 ± 0.35 00 ± 0.25 ANG. ± 3°	USB 3.1 Version C TYPE P.C.B TYPE 24Pin Female WITH HALF TYPE BACK COVER & WITHOUT SOLDER POINT NICKEL SHELL BLACK COLOR REEL PACKING ROHS
DATE 制表日	UNIT 單位	SIZE. 紙張尺寸	
2018/8/31	MM	A 4	PART NO. 料號
PAGE 張數	2 OF 2	REV. 版本	A

CONNECTOR FRONT EDGE

RECOMMENDED P.C.B. LAYOUT (T:1.00mm)
TOLERANCE UNSPECIFIED ±0.05mm

DETAIL D