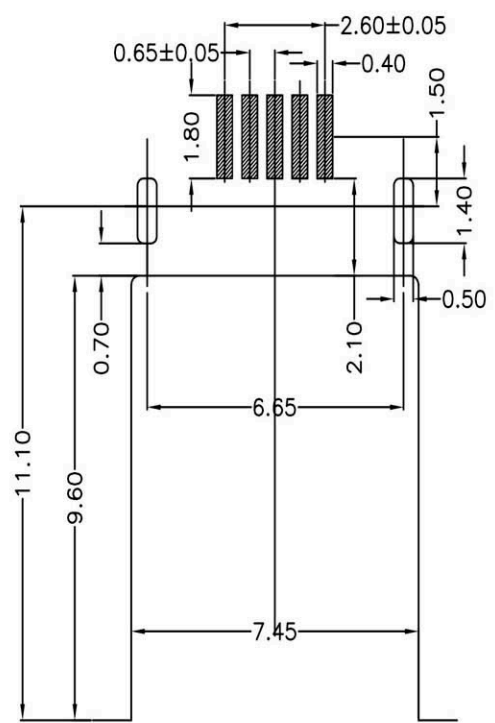
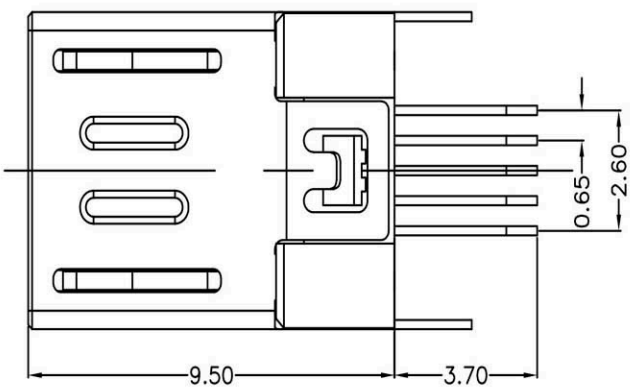


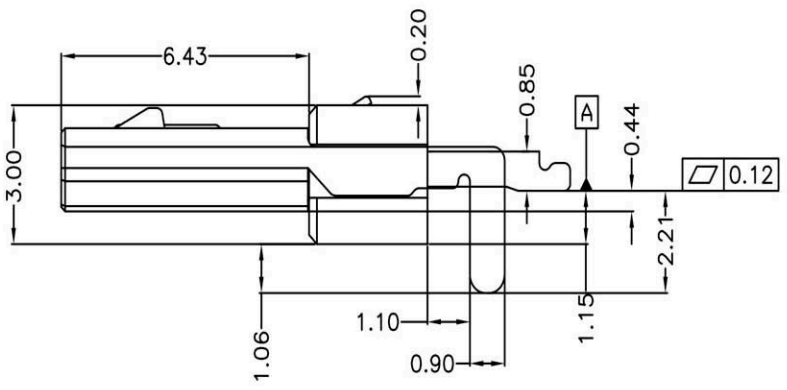
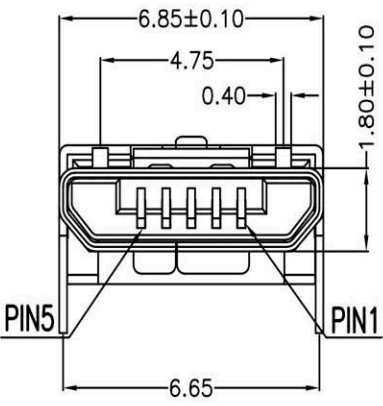
1 2 3 4 5 6 7 8

A
B
C
D
E
F
G
H

CONTACT NUMBER	SIGNAL NAME
PIN 1	VBUS
PIN 2	D-
PIN 3	D+
PIN 4	ID
PIN 5	GND



P.C.B LAYOUT
TOP VIEW ±0.05



MATERIALS

HOUSING: HI-TEMP. PLASTIC (UL 94V-0)
 SHELL: STAINNESS STEEL, NICKEL PLATING
 TERMINAL: COPPER ALLOY, GOLD PLATED ON CONTACT AREA
 TIN PLATING ON SOLDER TAIL

SPECIFICATION

CURRENT RATING: 1.8 AMP MAX (ONLY PIN 1, 5), OTHER 1 AMP MAX
 DIELECTRIC WITHSTANDING: 100V AC FOR ONE MINUTE
 CONTACT RESISTANCE: 30m OHMS MAX
 INSULATION RESISTANCE: 100M OHMS MIN AT DC 500V
 OPERATION TEMPERATURE: -25°C+85°C

<p>RoHS Compliant</p>		<p>HSM 玄茂科技股份有限公司 HSUAN MAO TECHNOLOGY CO., LTD.</p>	
<p>APPD. 核准</p>		<p>TOLERANCE 容許公差</p> <p>0 ± 0.35 .00 ± 0.25 ANG. ± 3°</p>	<p>PART NAME 品名</p> <p>MICRO USB B TYPE 5P MALE BOARD CUT TYPE PIN* SMT TYPE L=3.7mm METAL SHELL'S FOOT:RIGHT ANGLE SELECTIVE GOLD PLATING BLACK COLOR ROHS</p>
<p>DWG. 製圖</p> <p><i>Helen</i></p>	<p>SCALE 比例</p> <p>參考</p>	<p>UNIT 單位</p> <p>MM</p>	<p>PART NO.</p> <p>料號 C8358-05BMARSBXR</p>
<p>DATE 制表日</p> <p>2018/2/7</p>	<p>PAGE 張數</p> <p>1 OF 1</p>	<p>REV. 版本</p> <p>A</p>	

1 2 3 4 5 6 7 8