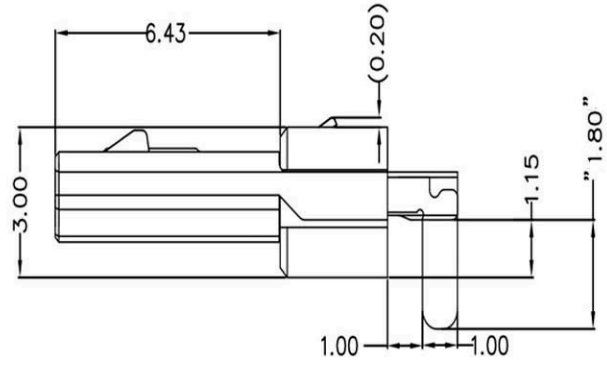
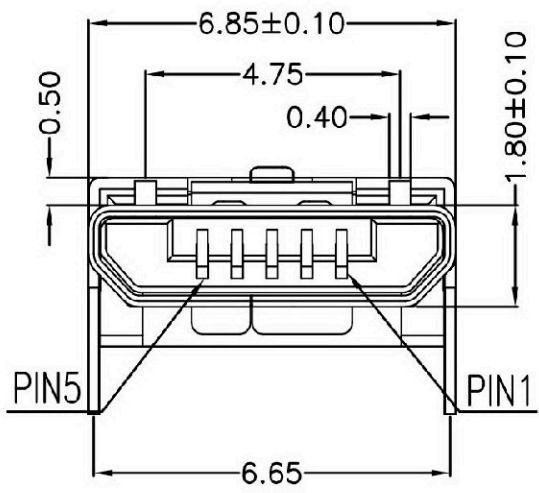
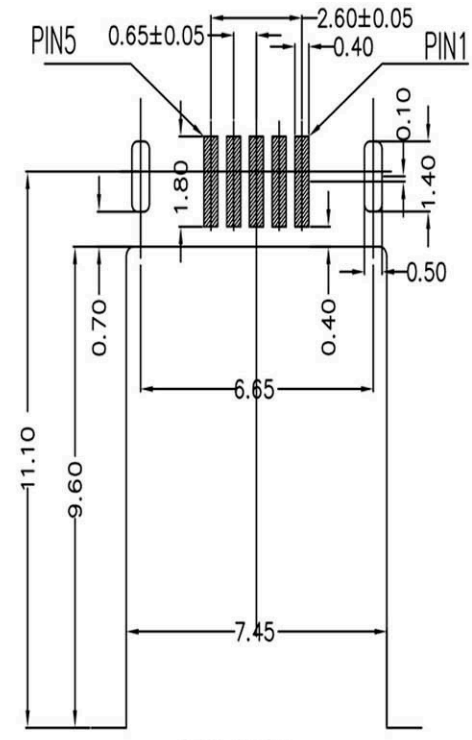
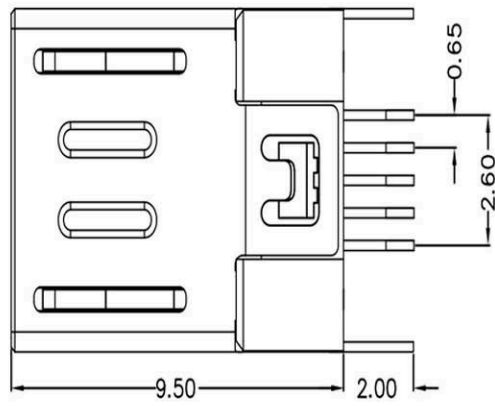


1 2 3 4 5 6 7 8

A
B
C
D
E
F
G
H

CONTACT NUMBER	SIGNAL NAME
PIN 1	VBUS
PIN 2	D-
PIN 3	D+
PIN 4	ID
PIN 5	GND



P.C.B LAYOUT
TOP VIEW ±0.05

MATERIALS

HOUSING: HI-TEMP. PLASTIC (UL 94V-0)
SHELL: STAINNESS STEEL, NICKEL PLATING
TERMINAL: COPPER ALLOY, GOLD PLATED ON CONTACT AREA
TIN PLATING ON SOLDER TAIL

SPECIFICATION

CURRENT RATING: 1.8 AMP MAX (ONLY PIN 1, 5), OTHER 1 AMP MAX
DIELECTRIC WITHSTANDING: 100V AC FOR ONE MINUTE
CONTACT RESISTANCE: 30m OHMS MAX
INSULATION RESISTANCE: 100M OHMS MIN AT DC 500V
OPERATION TEMPERATURE: -25°C+85°C

RoHS Compliant		HSM 玄茂科技股份有限公司 HSUAN MAO TECHNOLOGY CO., LTD.	
APPD. 核准 DWG. 製圖 DATE 制表日 2018/2/7	SCALE 比例 參考 UNIT 單位 M M PAGE 張數 1 OF 1	TOLERANCE 容許公差 0 ± 0.35 .00 ± 0.25 ANG. ± 3° SIZE 紙張尺寸 A 4 REV. 版本 A	PART NAME 品名 MICRO USB B TYPE 5P MALE BOARD CUT TYPE PIN* SMT TYPE L=1.8mm METAL SHELL'S FOOT:RIGHT ANGLE SELECTIVE GOLD PLATING BLACK COLOR ROHS PART NO. 料號 C8358-05BMDRSBX

1 2 3 4 5 6 7 8