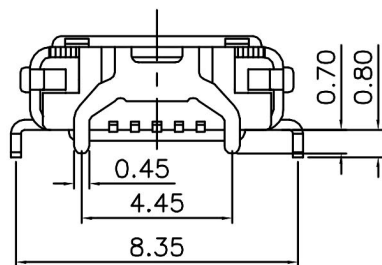
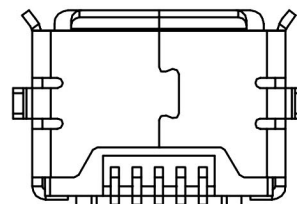
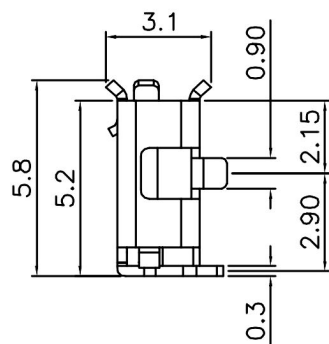
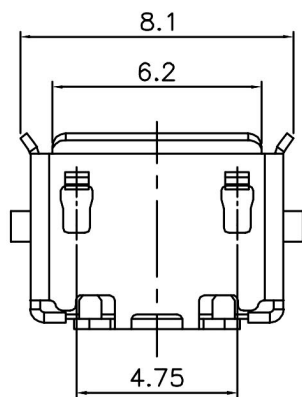


Recommended PCB Layout



1. Specifications:

- Mated Force: 35N Max.
- Unmated Force: 10N Min. (Initial)
8-20N Min. (After 3000 Cycles)
- Current Rating: 1.0 A
- Voltage Rating: 30V
- Durability: 3000 Cycles Min.
- Dielectric Withstanding Voltage: 100V AC Min.
- Insulation Resistance: 100 MΩ Min.
- Contact Resistance: 30 mΩ Max. (Initial)
40 mΩ Max. (After 3000 Cycles)
- Temperature Rating: -30°C ~ +80°C

2. Material:

- Housing: LCP, UL94V-0
- Terminal: Brass, Gold Plated On Contact Area.
Tin Plated On Solder Tails.
Nickel Underplated Overall.
- Shell: SUS, Nickel Plated.

RoHS
Compliant

HSM 玄茂科技股份有限公司
HSUAN MAO TECHNOLOGY CO., LTD.

APPD.
核准
Betty
DATE 制表日
2017/09/15

SCALE
比例 参考
UNIT
單位 M M
PAGE
張數 1 OF 1

GENERAL TOLERANCE:
X ±0.25 Ang. ±2°
XX ±0.15
XXX ±0.05
SIZE:
紙張尺寸 A 4
REV.
版次 A

PART NAME 品名
Micro USB AB TYPE FEMALE 5P PIN:SMT TYPE
(P.C.B TYPE) WITHOUT LOCATING PEG
NICKEL SHELL(FOOT:DIP TYPE) BLACK INSULATOR
REEL PACKING ROHS
PART NO.
料號 C8359-05ZFDXNBNR