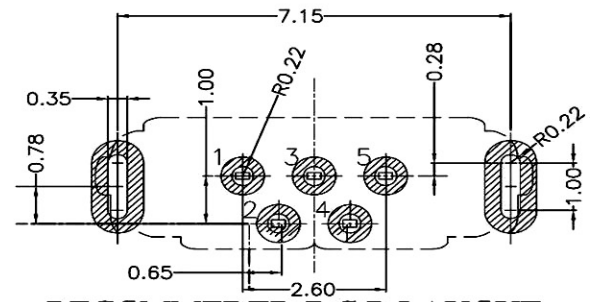
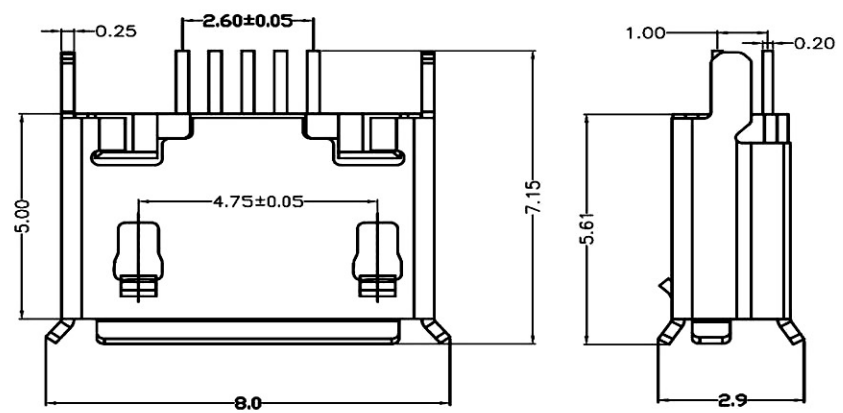


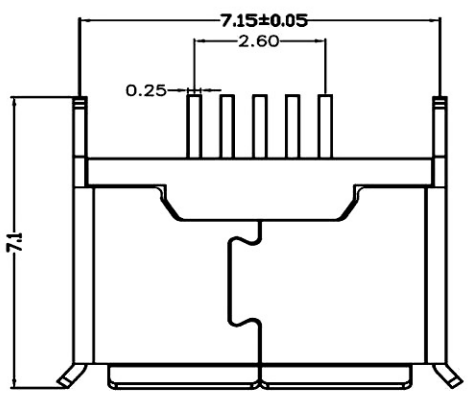
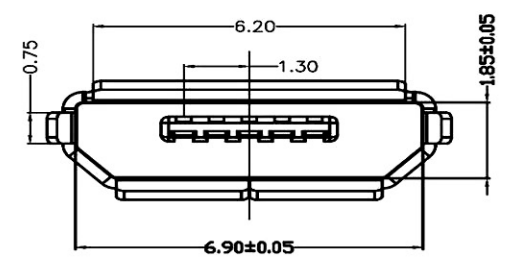
1 2 3 4 5 6 7 8

A
B
C
D
E
F
G
H

A
B
C
D
E
F
G
H



RECOMMENDED P.C.B LAYOUT



Note:

- 1. Material:
 - 1.1 Housing: High temperature thermoplastic with g. f, UL94v-0
 - 1.2 Contact: copper alloy, t=0.20mm
 - 1.3 Shell: copper alloy, t=0.25mm
- 2. Specification:
 - 2.1 Current rating: 1 A Max.
 - 2.2 Dielectric withstanding voltage: 100 V(ac) for 1 min.
 - 2.3 Contact resistance: 50 mW Max.
 - 2.4 Insulation resistance: 100 MW Min.
 - 2.5 Total mating force: 3.57 Kgf Max.
 - 2.6 Total unmating force: 1.0 Kgf Min. 0.81~2.05 Kgf Min. after 3000 insertion/extraction cycles
 - 2.7 Temperature range: -40.C ~85.C

RoHS Compliant		HSM 玄茂科技股份有限公司 HSUAN MAO TECHNOLOGY CO., LTD.	
APPD. 核准	SCALE 比例 参考	TOLERANCE X. ±0.50 XX ±0.20 XXX ±0.10 ANG. ±1.00°	PART NAME 品名 MICRO USB B TYPE 5PIN FEMALE STRAIGHT TYPE PIN:DIP TYPE & SHELL FOOT:DIP TYPE BLACK COLOR ROHS
DWG. 製圖 Betty		UNIT 單位 MM	
DATE 制表日 2018/05/17	PAGE 張數 1 OF 1	REV. 版本 B	PART NO. 料號 C8362-05BBXB0R

1 2 3 4 5 6 7 8