

1. MATERIAL :
- 1-1. HOUSING : LCP UL94V-0 ; COLOR : BLACK
 - 1-2. CONTACT : PHOSPHOR BRONZE
 - 1-3. SHELL : STAINLESS STEEL
 - 1-4. CAP : LCP UL94V-0 ; COLOR : BLACK
2. FINISH :
- 2-1. CONTACT : CONTACT AREA : SEE TABLE A
GOLD FLASH ON OTHER AREA
UNDERPLATED : SEE TABLE A
 - 2-2. SHELL : MATTE TIN PLATED
3. SPEC :
- 3-1. CURRENT RATING : PIN1 & 5 1.8A(MAX) OTHER 0.5A
PER PIN 1A

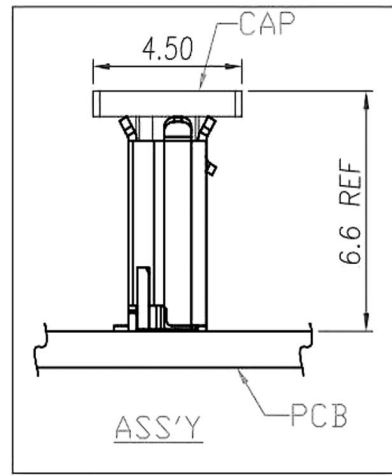
TABLE A/B

GOLD 10u" MIN	NICKEL 50u" MIN.
CONTACT AREA	UNDERPLATED

RECOMMENDED PCB LAYOUT
(TOP VIEW)
With Post Type
C8366-05BFBFXBR

RECOMMENDED PCB LAYOUT
(TOP VIEW)

Without Post Type
C8366-05BFBFXNBR



RoHS Compliant		HSM 玄茂科技股份有限公司 HSUAN MAO TECHNOLOGY CO., LTD.	
APPD. 核准	SCALE 比例 参考	TOLERANCE × ±0.20 .xx ±0.10 .xxx ±0.05 .xxxx ±0.03 ANGULA ±1°	PART NAME 品名 MICRO USB B TYPE 5P FEMALE VERTICAL TYPE PIN FOOT: SMT SHELL FOOT: DIP TYPE SELECTIVE GOLD 10U" PLATING BLACK COLOR REEL PACKING ROHS
DWG. 製圖 Betty	UNIT 單位 M M	SIZE 紙張尺寸 A 4	PART NO. 料號 C8366-05BFBFXBR
DATE 製表日 2016/04/12	PAGE 張數 1 OF 1	REV. 版次 A	