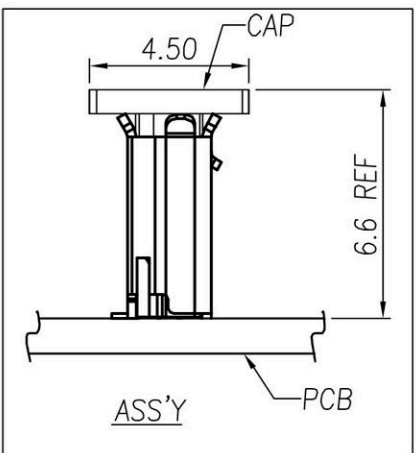
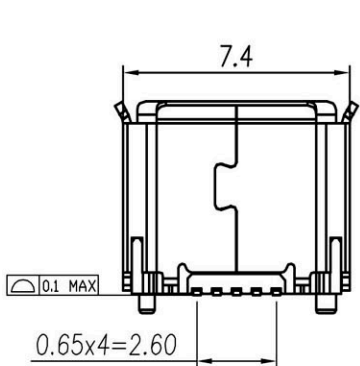


- 1. MATERIAL :**  
 1-1. HOUSING : LCP UL94V-0 ; COLOR : BLACK  
 1-2. CONTACT : PHOSPHOR BRONZE  
 1-3. SHELL : STAINLESS STEEL  
 1-4. CAP : LCP UL94V-0 ; COLOR : BLACK
- 2. FINISH :**  
 2-1. CONTACT : CONTACT AERA : GOLD 10u" MIN  
 GOLD FLASH ON OTHER AERA  
 UNDERPLATED : NICKEL 50u" MIN.  
 2-2. SHELL : MATTE TIN PLATED



<b>RoHS Compliant</b>		<b>HSM 玄茂科技股份有限公司</b> <b>HSUAN MAO TECHNOLOGY CO., LTD.</b>	
APPD. 核准 DWG. 製圖 DATE 制表日 2018/4/18	SCALE 比例 UNIT 單位 PAGE 張數 1 OF 1	TOLERANCE 容許公差 0 ± 0.35 .00 ± 0.25 ANG. ± 3° SIZE. 線規尺寸 A 4 REV. 版本 B	PART NAME 品名 MICRO USB B TYPE 5P FEMALE VERTICAL TYPE PIN FOOT:SMT SHELL FOOT:SMT TYPE WITH LOCATING PEG SELECTIVE GOLD 10U" PLATINGBLACK COLOR REEL PACKING ROHS PART NO. 料號 C8366-05BFDYBR