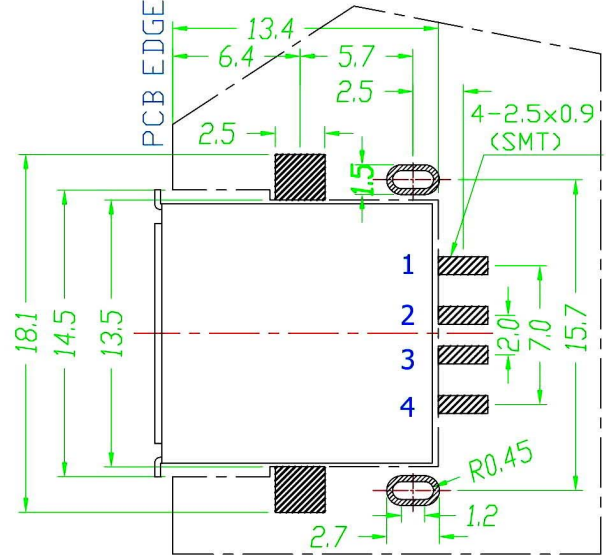
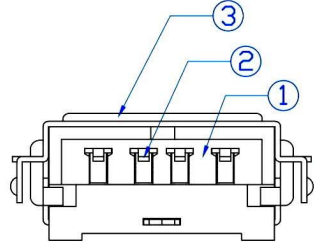
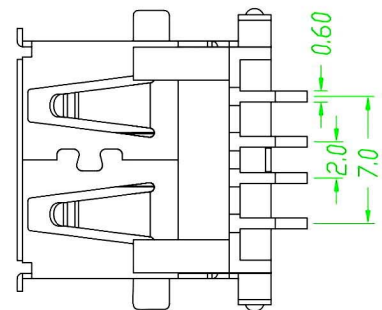
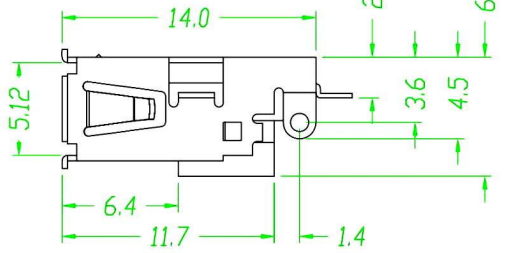
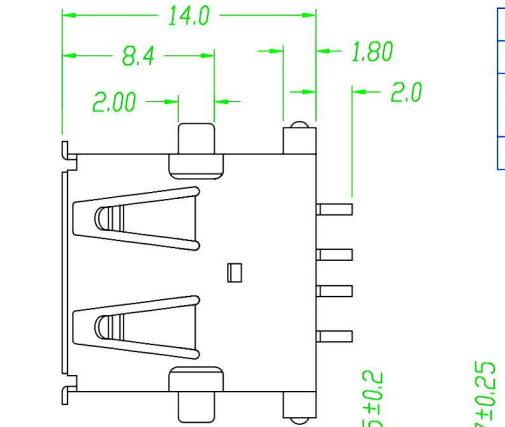
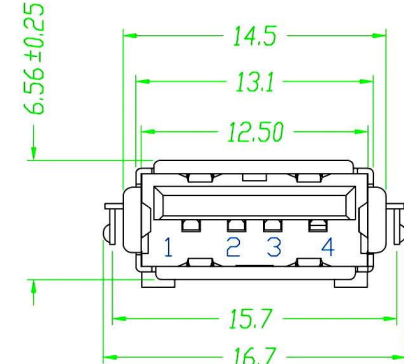


NO.	NAME	MATERIAL	FINISH	Q'TY	REMARK
1	HOUSING	NYLON PA9T G.F.	BLACK	1	
2	TERMINAL	PHOS. BRONZE T:0.25	GOLD/TIN PLATED	4	Gold:1~3u"; NI:40~60u"; TIN:120u" (100% pure Tin of lead free plating)
3	SHELL	STAINLESS T: 0.3	NICKEL PLATED	1	Ni:50u"MINIMUM.



RECOMMEND PCB LAYOUT
(TOP VIEW)

Specification:
 Contact Resistance: 30m Ohm Max.
 Insulation Resistance: 1000M Ohm Min. At 500VDC.
 Rated Voltage And Current: 1.5A At 250VAC Minimum.
 Dielectric Withstanding Voltage:
 750V AC (rms) for 1 Minute(Rev. 1.1)
 Durability (Life Test): 1500 Cycles
 Insertion Force: 35 Newton Maximum.
 Extraction Force: 10 Newton Minimum.

RoHS Compliant		HSM 玄茂科技股份有限公司 HSUAN MAO TECHNOLOGY CO., LTD.	
APPD. 核准 HELEN	SCALE 比例 參考	TOLERANCE 容許公差 X ±0.38 XX ±0.25 XXX ±0.13 XXX ±0.05	PART NAME 品名 USB A TYPE 4P FEMALE P.C.B. OFFSET TYPE SHELL FOOT:DIP TYPE PIN:SMT TYPE SELECTIVE GOLD PLATING BLACK INSULATOR TRAY PACKING ROHS
DWG. 製圖 ABBY	UNIT 單位 MM	SIZE. 紙張尺寸 A 4	PART NO. 料號 C8370-04AFBSBHB
DATE 制表日 2016/10/18	PAGE 張數 1 OF 1	REV. 版次 A	