

1 2 3 4 5 6 7 8

A

B

C

D

E

F

G

H

A

B

C

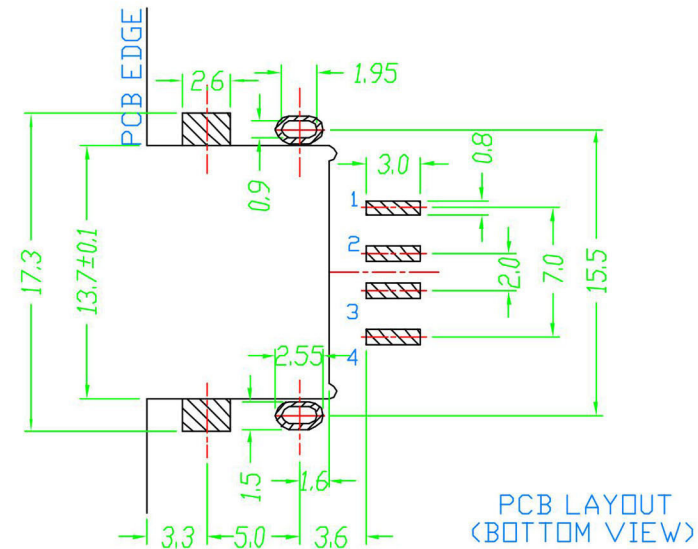
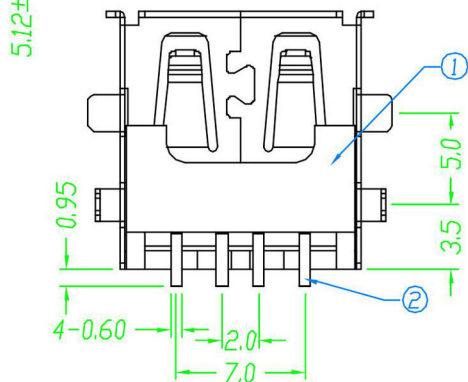
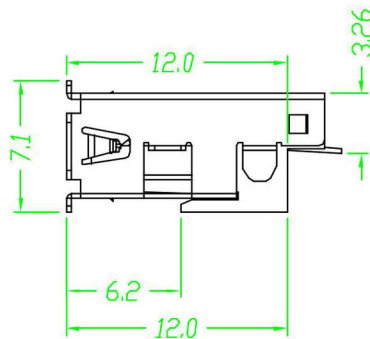
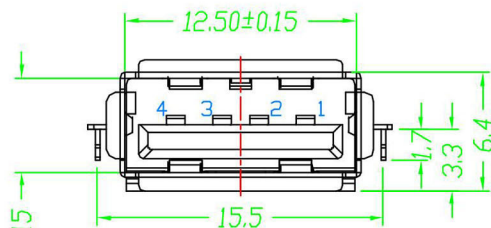
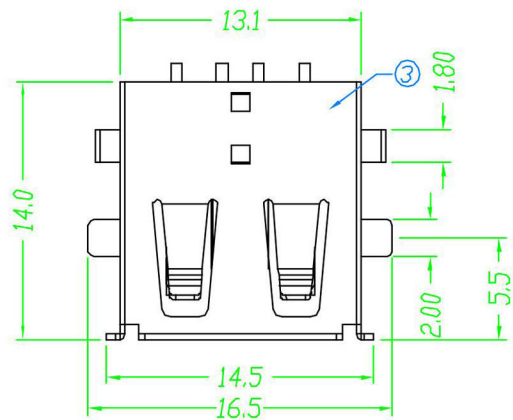
D

E

F

G

H



Specification:
 Contact Resistance: 30m Ohm Max.
 Insulation Resistance: 1000M Ohm Min. At 500VDC.
 Rated Voltage And Current: 1.5A At 250VAC Minimum.
 Dielectric Withstanding Voltage: 750V AC (rms) for 1 Minute(Rev. 1.1)
 Durability (Life Test): 1500 Cycles
 Insertion Force: 35 Newton Maximum.
 Extraction Force: 10 Newton Minimum.

NO.	NAME	MATERIAL	FINISH	Q'TY	REMARK
1	HOUSING	NYLON PA9T G.F.	WHITE	1	
2	TERMINAL	PHOS. BRONZE T:0.25	GOLD/TIN PLATED	4	Gold(1~3u"); Ni(40~60u"); TIN(120u") (100% pure Tin of lead free plating)
3	SHELL	BRASS T:0.3	NICKEL PLATED	1	Ni(50u") MINIMUM.

RoHS Compliant		HSM 玄茂科技股份有限公司	
		HSUAN MAO TECHNOLOGY CO., LTD.	
APPD. 核准 HELEN	SCALE 比例 參考	TOLERANCE X. ±0.38 .X ±0.25 .XX ±0.13 .XXX ±0.05	PART NAME 品名 USB A TYPE 4P FEMALE P.C.B. REVERSE TYPE OFFSET TYPE SHELL FOOT:SMT TYPE*1PAIR & DIP TYPE*1PAIR PIN:SMT TYPE SELECTIVE GOLD PLATING WHITE INSULATOR(NYLON 9T) TRAY PACKING ROHS
DWG. 製圖 ABBY		UNIT 單位 MM	SIZE. 紙張尺寸 A 4
DATE 制表日 2017/01/13	PAGE 張數 1 / 1	REV. 版次 A	PART NO. 料號 C8372-04AFBSWHB

1 2 3 4 5 6 7 8