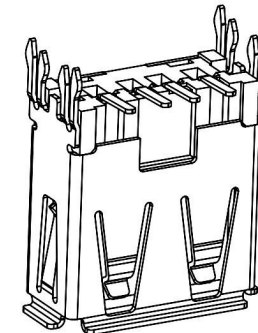
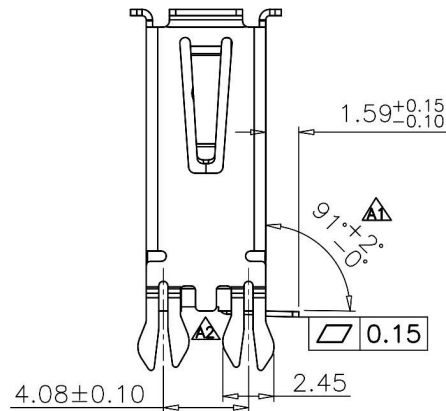
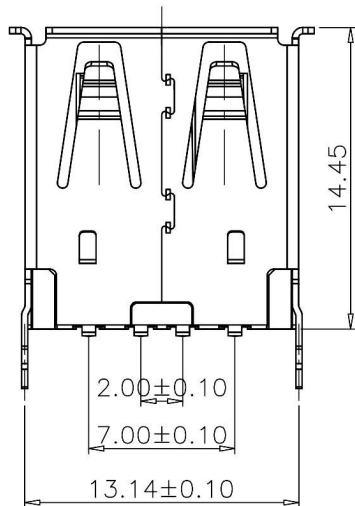


NOTES:
 MATERIAL
 INSULATOR:LCP UL 94V-0 BLACK
 SHELL:BRASS;T=0.30±0.02mm
 CONTACT:Phosphor Bronze;T=0.25±0.02mm
 SHELL:NICKEL 50U" OVER ALL PLATING
 CONTACT PLATING: GOLD FLASH (OR OPTION XXU")
 AND Tinned 100U" OVER NICKEL 50U" PLATED

MECHANICAL:
 MATING:35N(3.43kgf) MAX
 WITHDRAWAL FORCE:10N(0.98kgf) MIN
 CURRENT RATING: 1.5A;
 VOLTAGE RATING: 30V;
 CONTACT RESISTANCE: 30mΩ MAX.
 INSULATION RESISTANCE:1000MΩ MIN 500V DC.
 DIELECTRIC WITHSTANDING VOLTAGE:500V AC
 OPERATING TEMPERATURE: -30°C~60°C.
 STORAGE TEMPERATURE: -40°C~85°C.



RoHS Compliant		HSM 玄茂科技股份有限公司 HSUAN MAO TECHNOLOGY CO., LTD.	
APPD. 核准	SCALE 比例 参考	TOLERANCE XX ±0.35 XX ±0.00	PART NAME 品名 USB CONNECTOR 4PIN FEMALE SMT STRAIGHT TYPE SHELL BODY:BOARDLOCK FOOT*4PCS BLACK COLOR TRAY PACKING ROHS
DWG. 製圖 Betty		XXX ±0.25 XXX ±1.00 XXXX ±0.15 XXXX ±0.500	
DATE 制表日 2017/06/21	UNIT 單位 MM	SIZE 紙張尺寸 A 4	PART NO. 料號 C8377-04AFSXBH
	PAGE 張數 1 OF 1	REV. 版次 A	