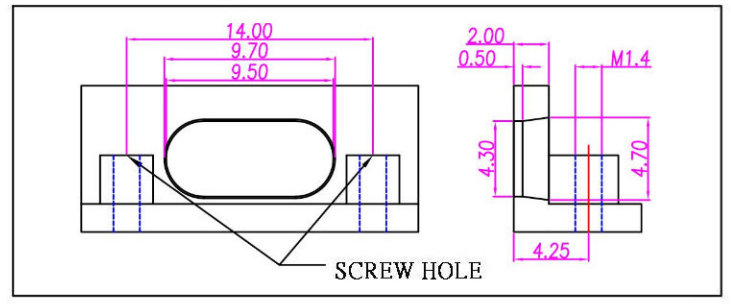
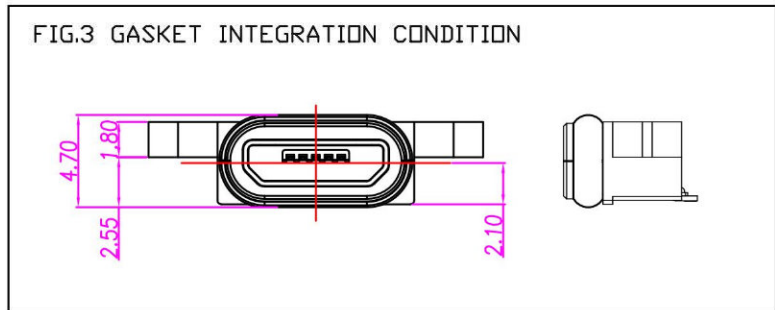
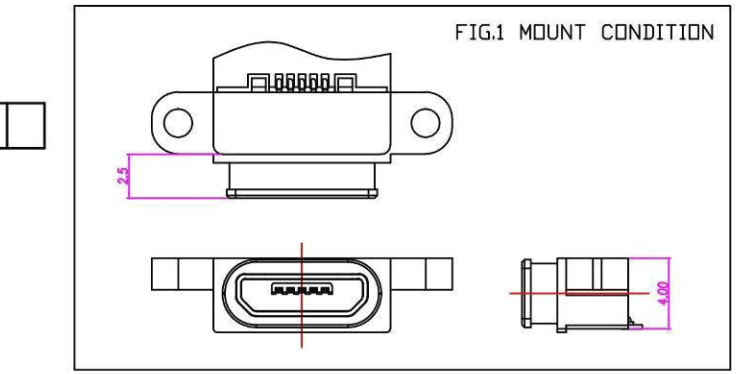


NOTE:

1. MATERIAL :
 - 1-1. HOUSING : LCP UL94V-0 ; COLOR : BLACK
 - 1-2. CONTACT : PHOSPHOR BRONZE
 - 1-3. SHELL : STAINLESS STEEL
 - 1-4. O-RING : SILICON
 - 1-5. PAD : BRASS
2. FINISH :
 - 2-1. CONTACT : CONTACT AERA : GOLD 10u"
GOLD FLASH ON OTHER AERA
UNDERPLATED : NICKEL 50u"
 - 2-2. SHELL : MATTE TIN PLATED
 - 2-3. PAD : MATTE TIN PLATED
3. ELECTRICAL SPECIFICATION :
 - 3-1. CONTACT CURRENT RATING : 1A(ONLY PIN1,5) AT THE SAME TIME
0.5A AT CONTACT PIN 2,3,4 OTHER 0.5A(ONLY PIN2,3 4).
 - 3-2. CONTACT RESISTANCE:30m Ohm MAX
 - 3-3. INSULATION RESISTANCE:100M Ohm MIN AT DC 500V.
 - 3-4. DIELECTRIC WITHSTANDING VOLTAGE:AC 100V AC/1 MINUTE 10mA.
 - 3-5. Insulation resistance test : voltage 500 Vdc ; Duration : 1min.
4. Environmental :
 - 4-1. Operation Temperature : -40~85°
 - 4-2. WATERPROOF : IPX7

P.C.B LAYOUT



RoHS Compliant		HSM 玄茂科技股份有限公司 HSUAN MAO TECHNOLOGY CO., LTD.	
APPD. 核准 HELEN		TOLERANCE .x ±0.20 .xx ±0.10 .xxx ±0.05 .xxxx ±0.03 ANGULA ±1°	PART NAME 品名 WATERPROOF MICRO USB B TYPE SPIN FEMALE SMT TYPE CONTACT AREA:GOLD 10U" GOLD FLASH ON OTHER AREA WITH SCREW HOLE BLACK COLOR REEL PACKING ROHS
DWG. 製圖 ABBY	SCALE 比例 參考	UNIT 單位 MM	PART NO. 料號 C8390-05BFDB1BRR
DATE 制表日 2017/05/09	PAGE 張數 1 OF 2	SIZE 紙張尺寸 A4	
		REV. 版本 B	