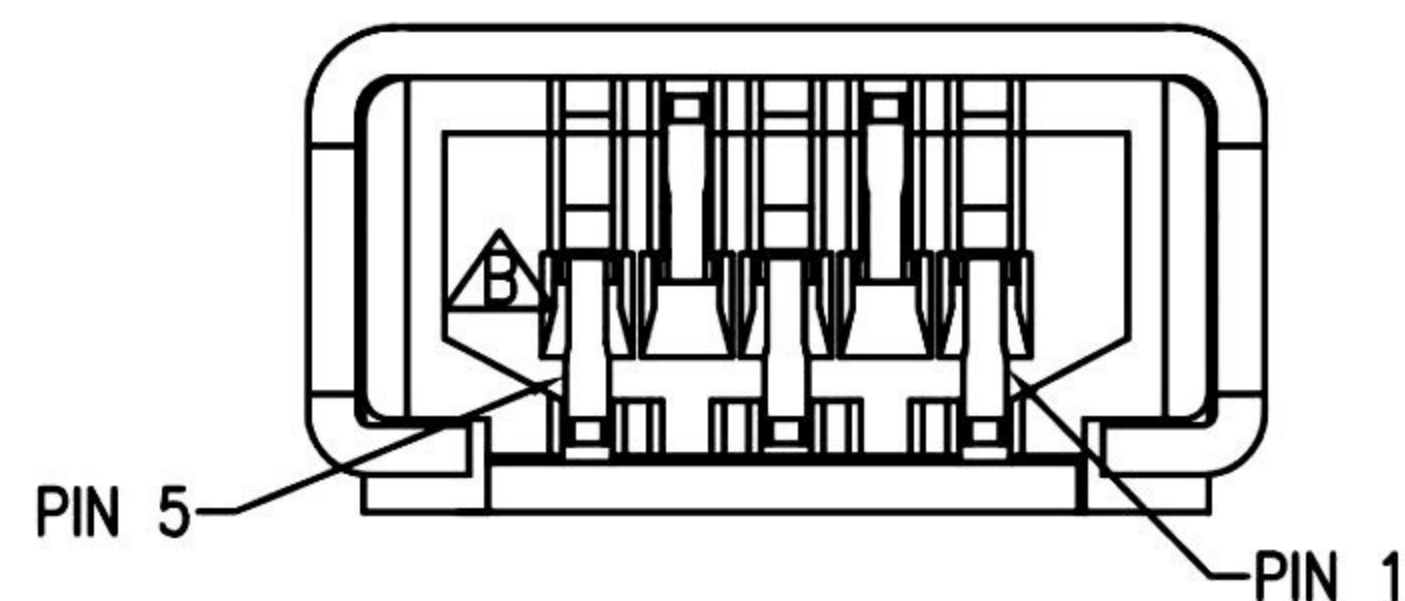
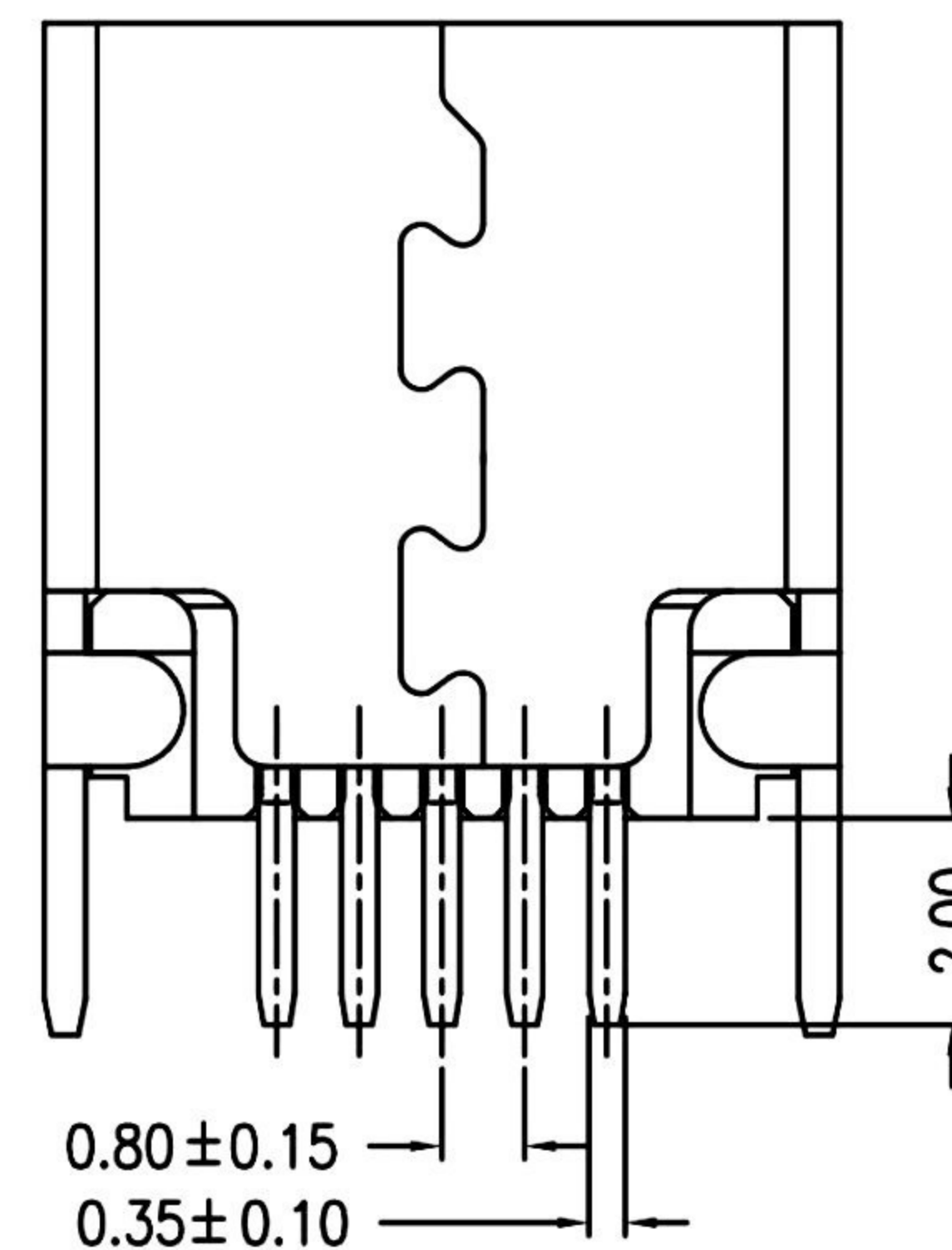
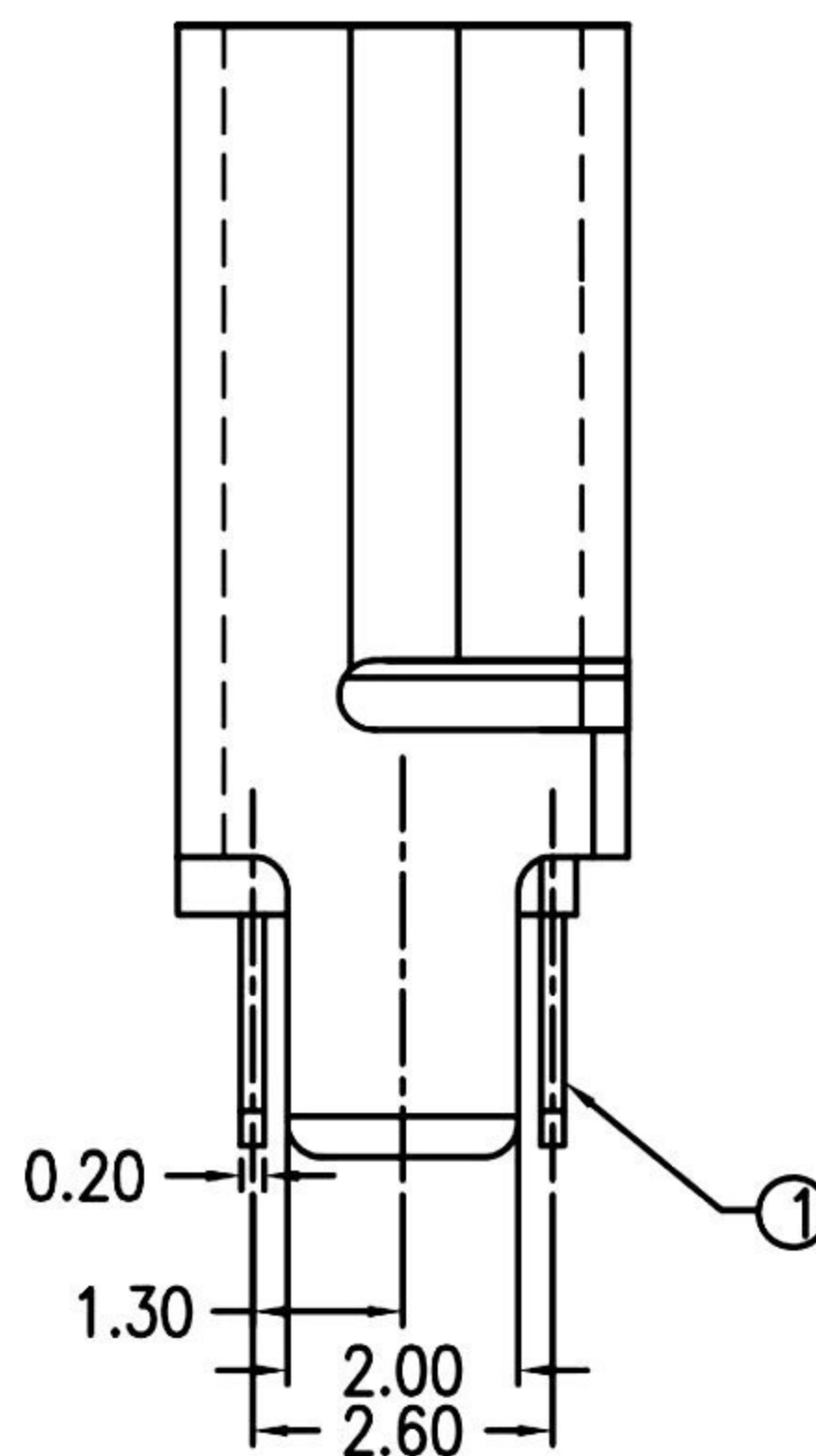
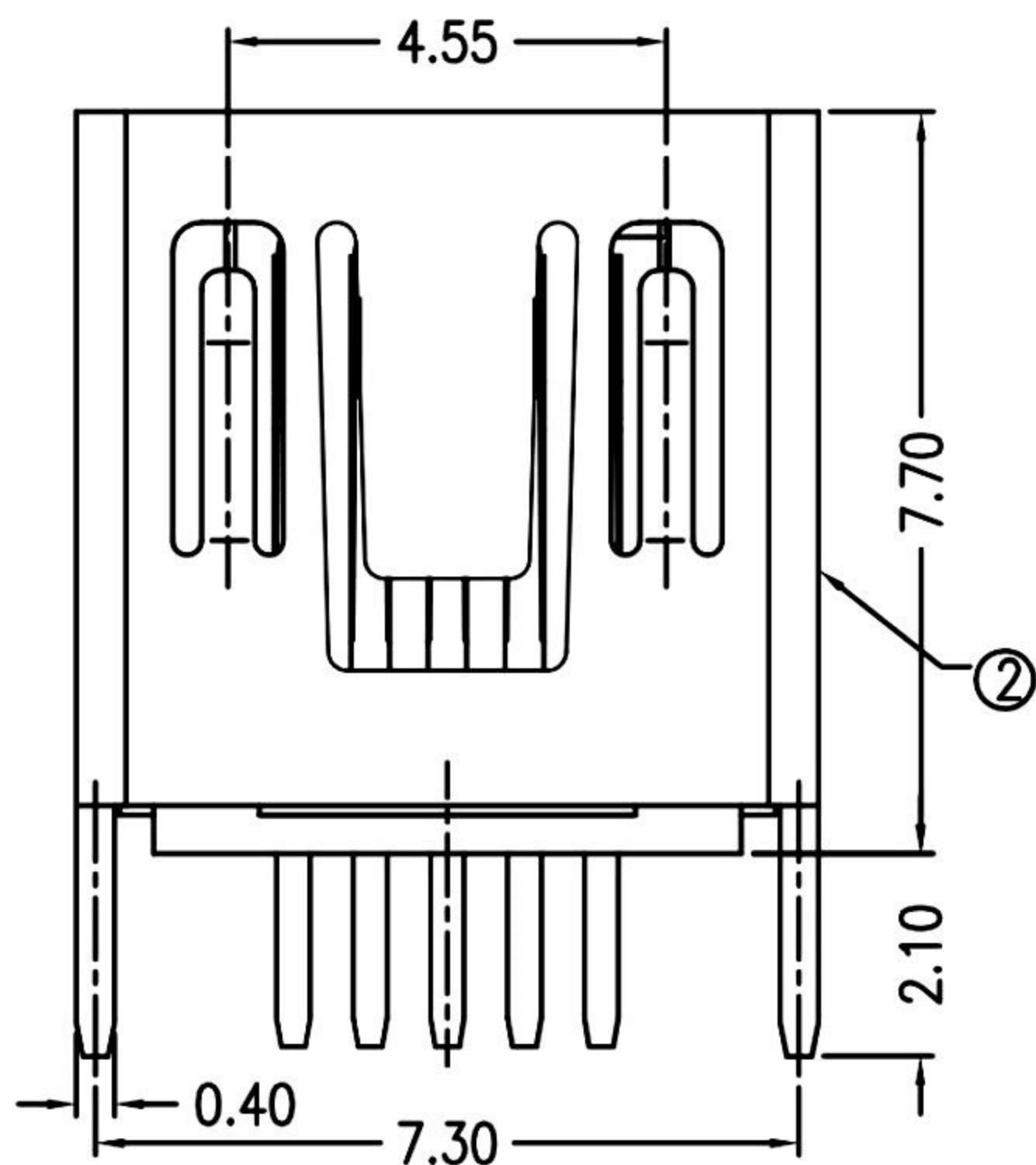


ITEM	DESC.	MATERIAL	REMARKS
3	HOUSING	LCP	G.F. 30%, UL94V-0, COLOR: BLACK
2	SHELL	COPPER ALLOY (t=0.40)	UNDER-PLATING: Cu 1.25um OVER-PLATING: Ni 1um
1	TERMINAL	COPPER ALLOY (t=0.20)	CONTACT AREA: Au 0.76um SOLDER AREA: Sn 2.5um UNDER-PLATING: Ni 1.25um

RECOMMENDED PCB LAYOUT(t=1.00±0.15)
COMPONENT SIDE



RoHS Compliant		HSM 玄茂科技股份有限公司 HSUAN MAO TECHNOLOGY CO., LTD.	
APPD. 核准 ABBY	SCALE 比例 參考	TOLERANCE 容許公差 .0 ±0.3 .00 ± ANG. ±	PART NAME 品名 MINI USB 5P FEMALE B TYPE P.C.B. DIP 180° (W/O KINK) 1.1 VERSION SHORT BODY SELECTIVE GOLD 30u" PLATING NICKEL SHELL BLACK INSULATOR ROHS
DWG. 製圖 HELEN	UNIT 單位 MM	SIZE. 紙張尺寸 A 4	PART NO. 料號 C8397-05BFHIB0R
DATE 制表日 2022/10/26	PAGE 張數 1 OF 1	REV. 版次 A	