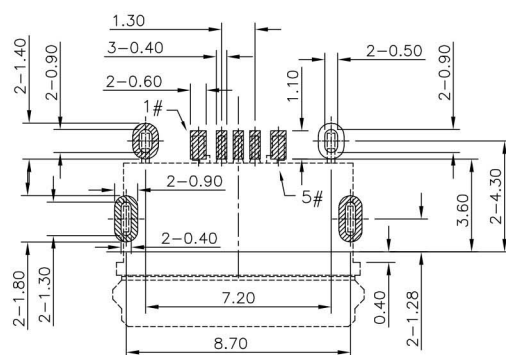
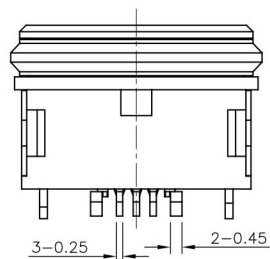
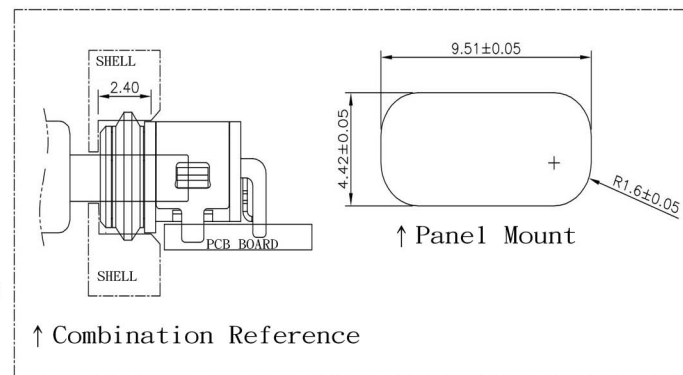
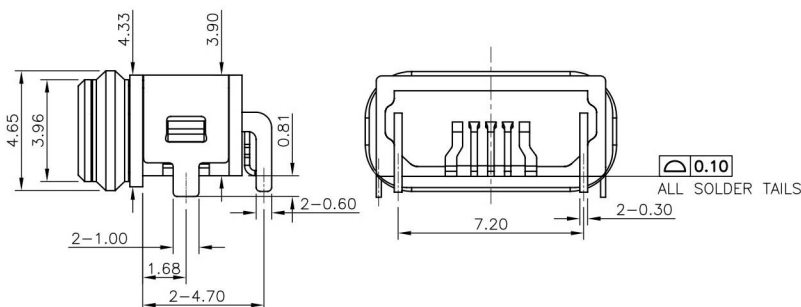
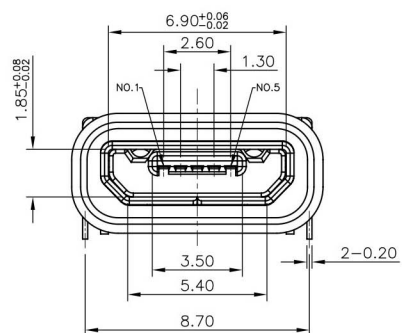


Contact Number	Signal Name	Remarks
1#	VBUS	Power
2#	D-	Date-
3#	D+	Date+
4#	ID	Reserve or Gound
5#	GND	Gound

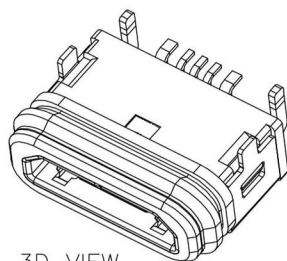
SPECIFICATIONS:

1. ELECTRICAL CHARACTERISTICS:

- 1.1. RATING: 3A(PIN1&5),0.5A(PIN2&3&4);
- 1.2. CONTACT RESISTANCE: 30 mΩ MAX.(INITIAL);
- 1.3. DIELECTRIC WITHSTANDING: 500V AC MIN.;
- 1.4. INSULATION RESISTANCE: 1000MΩ MIN.;
2. DURABILITY: 10,000 CYCLES MIN.;
3. INSERTION FORCE: 3.5Kgf (35N) Max.;
4. EXTRACTION FORCE: 0.8Kgf (8N) Min.;
5. WATER PROOFNESS:THIS PRODUCT IS BASED ON IP67(1m,30min)



RECOMMENDED P.C.B. LAYOUT (TOP VIEW)  
GENERAL TOLERANCE: ±0.05



3D VIEW

⑦ Oval ring	1	Rubber	Black
⑥ Glue	1	-----	Black
⑤ U-shaped frame	1	Copper alloy or stainless	Nickel plated
④ Inner shell	1	Copper alloy or stainless	Nickel plated
③ Terminal	5	Copper alloy, 0.15t	Gold Plated On Contact Area.
② Outer shell	1	High temperature thermoplastic	Black
① Body	1	High temperature thermoplastic	Black
NO. DESCRIPTION	QTY	MATERIAL	REMARK

RoHS  
Compliant

HSM 玄茂科技股份有限公司  
HSUAN MAO TECHNOLOGY CO., LTD.

APPD. 核准	Hel en		TOLERANCE 容許公差	PART NAME 品名 MICRO USB B TYPE WATERPROOF TYPE 5PIN FEMALE PIN FOOT:SMT TYPE SHELL FOOT:DIP TYPE GOLD FLASH PLATING BLACK COLOR REEL PACKING ROHS
DWG. 製圖	Linda		SCALE 比例	
DATE 制表日	2019/11/29	UNIT 單位	SIZE. 紙張尺寸	
		PAGE 張數	REV. 版次	A
				PART NO. 料號
				C8398-05BFBGNRR