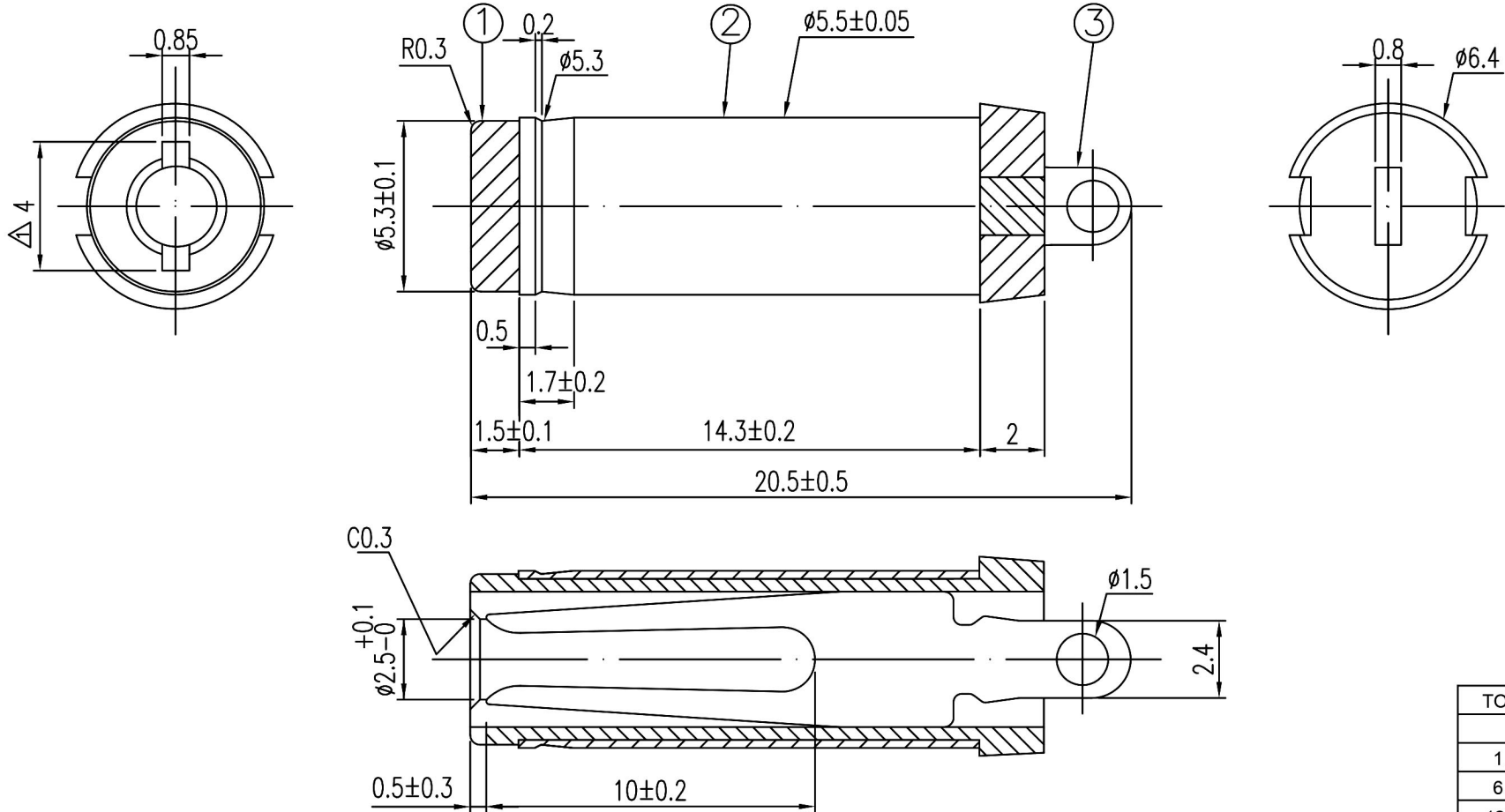


1 2 3 4 5 6 7 8

A  
B  
C  
D  
E  
F  
G  
H

A  
B  
C  
D  
E  
F  
G  
H



|    |          |         |
|----|----------|---------|
| 3  | P-BRONZE | NICKEL  |
| 2  | BRASS    | NICKEL  |
| 1  | PBT      | BLACK   |
| NO | MATERIAL | PLATING |

|                        |                      |  |                                   |
|------------------------|----------------------|--|-----------------------------------|
| RoHS Compliant         |                      | <b>HSM</b> 玄茂科技股份有限公司<br>HSUAN MAO TECHNOLOGY CO., LTD.  |                                   |
| APPD.<br>核准            | SCALE<br>比例 参考       | PART NAME 品名<br>ID=φ2.5mm OD=φ5.5mm DC PLUG FORK PIN TYPE PIN<br>WITH A GROOVE ON OUTER SLEEVE FOR LOCKING<br>T/L=20.5mm NICKEL PLATING BLACK COLOR ROHS |                                   |
| DWG.<br>製圖<br>Betty    | UNIT<br>單位<br>MM     | SIZE.<br>紙張尺寸<br>A 4   | PART NO.<br>料號<br>C8402-25BNB000R |
| DATE 制表日<br>2017/07/19 | PAGE<br>張數<br>1 OF 1 | REV.<br>版次<br>A  |                                   |

1 2 3 4 5 6 7 8