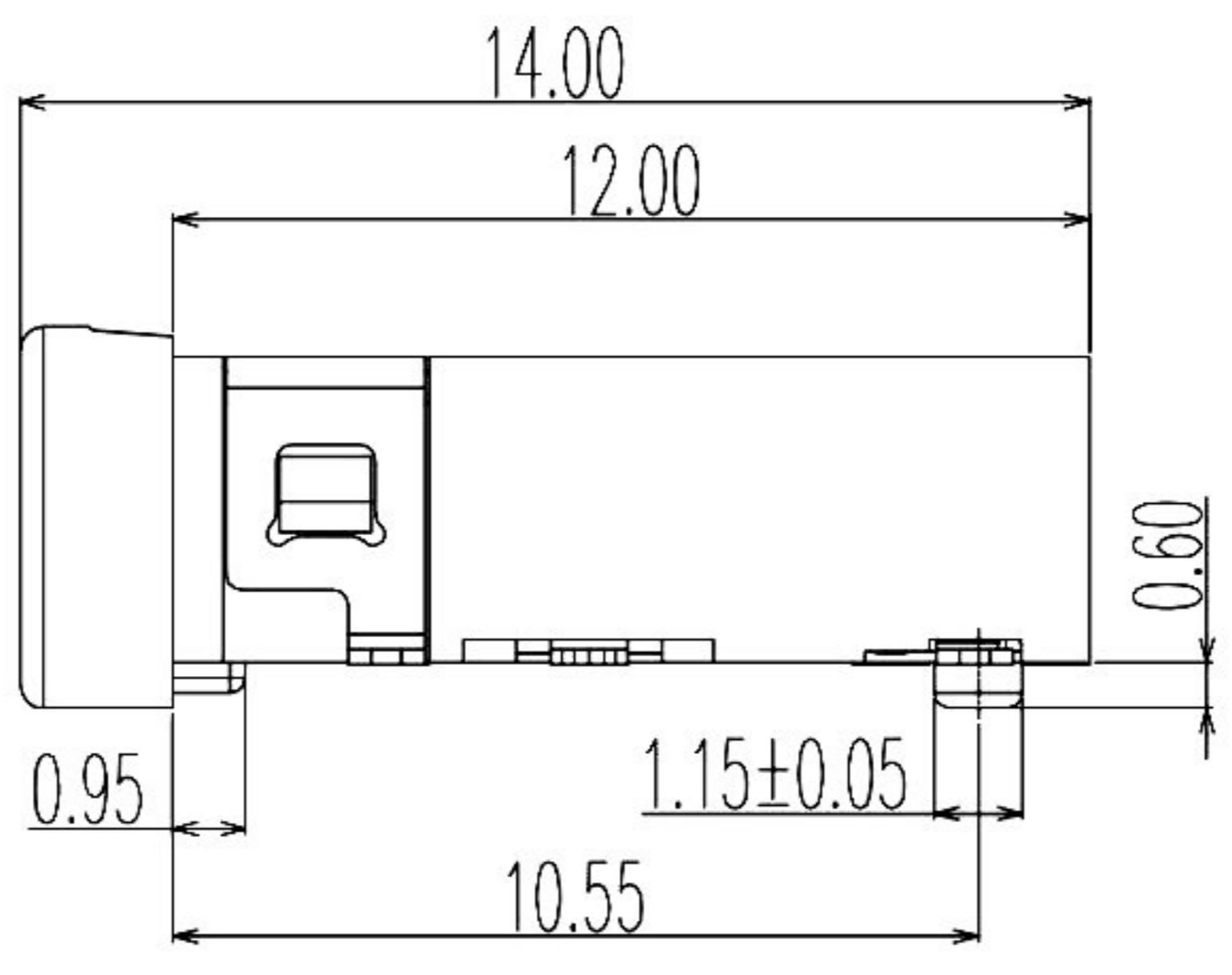
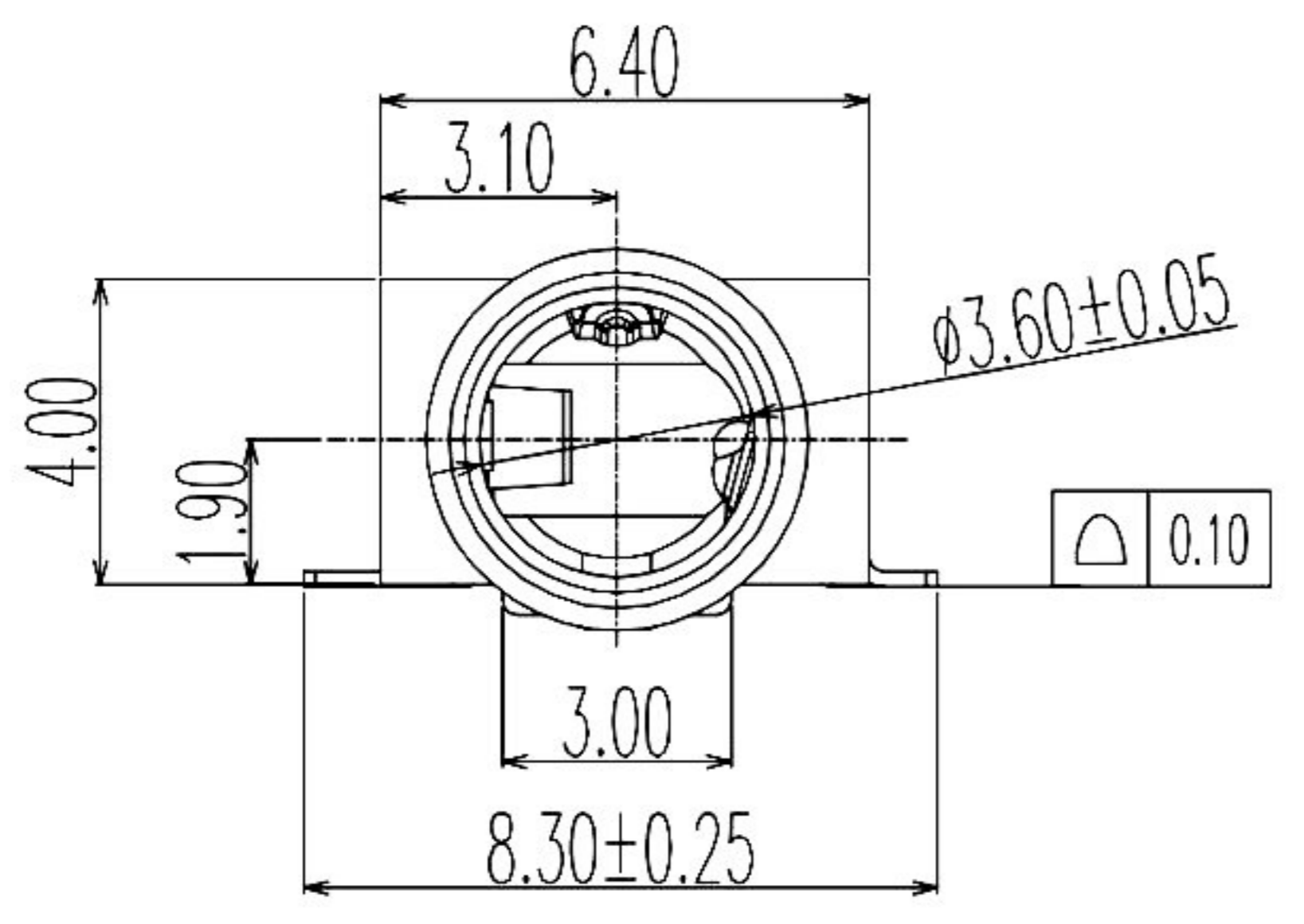
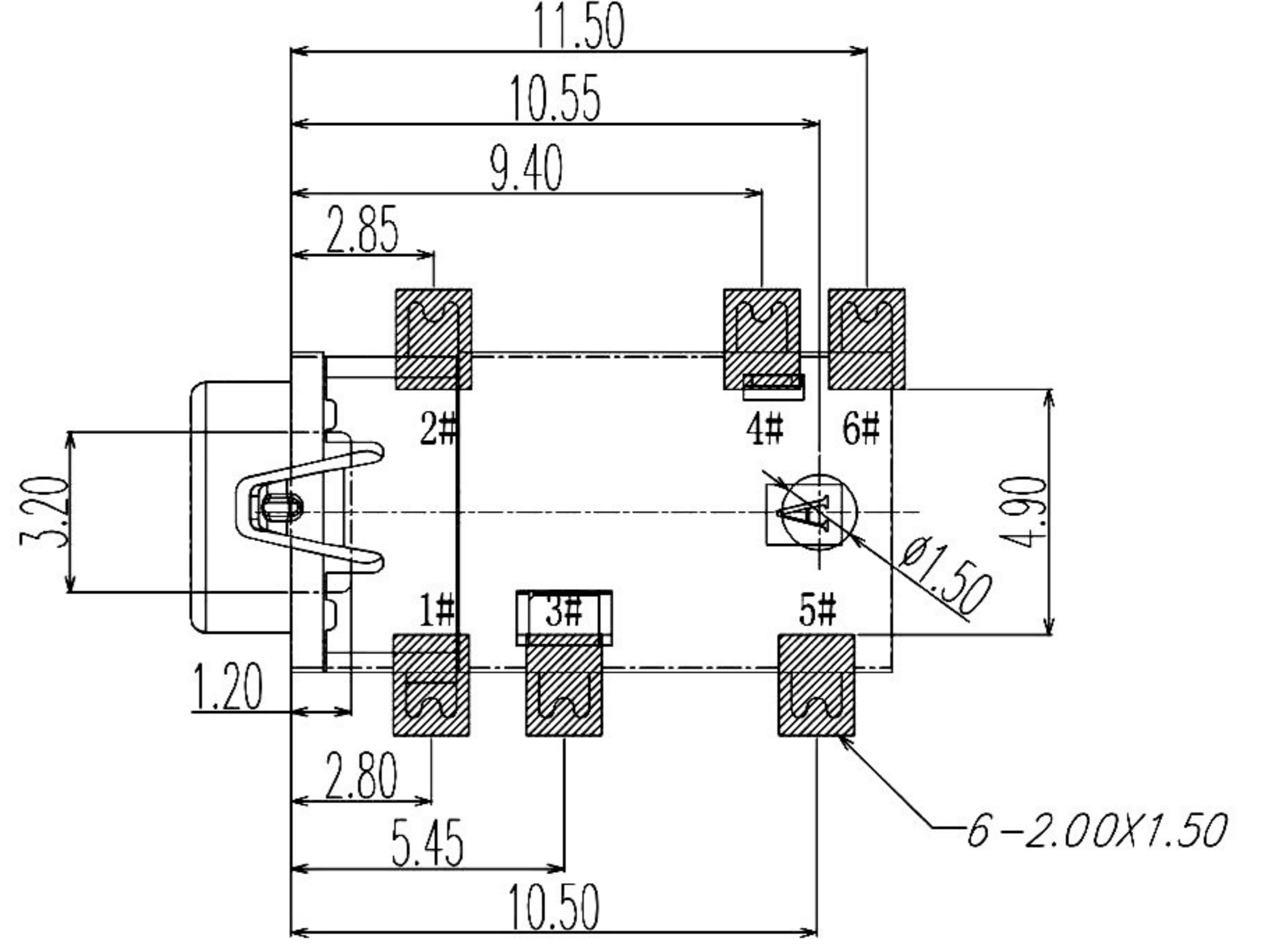


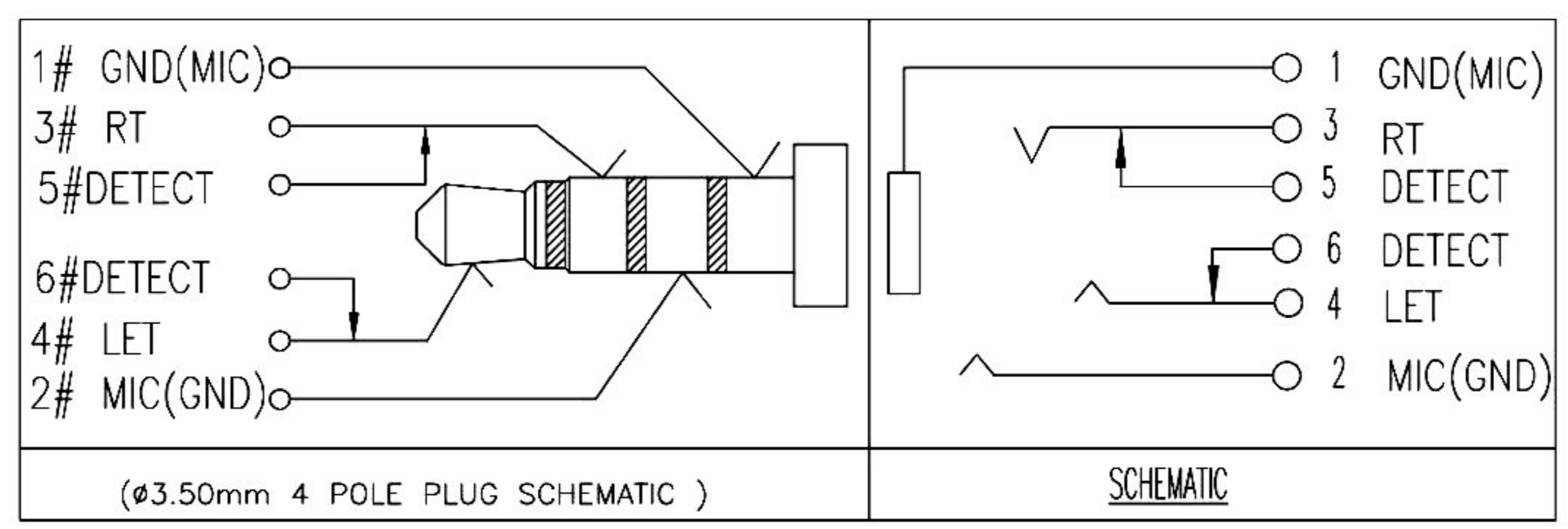
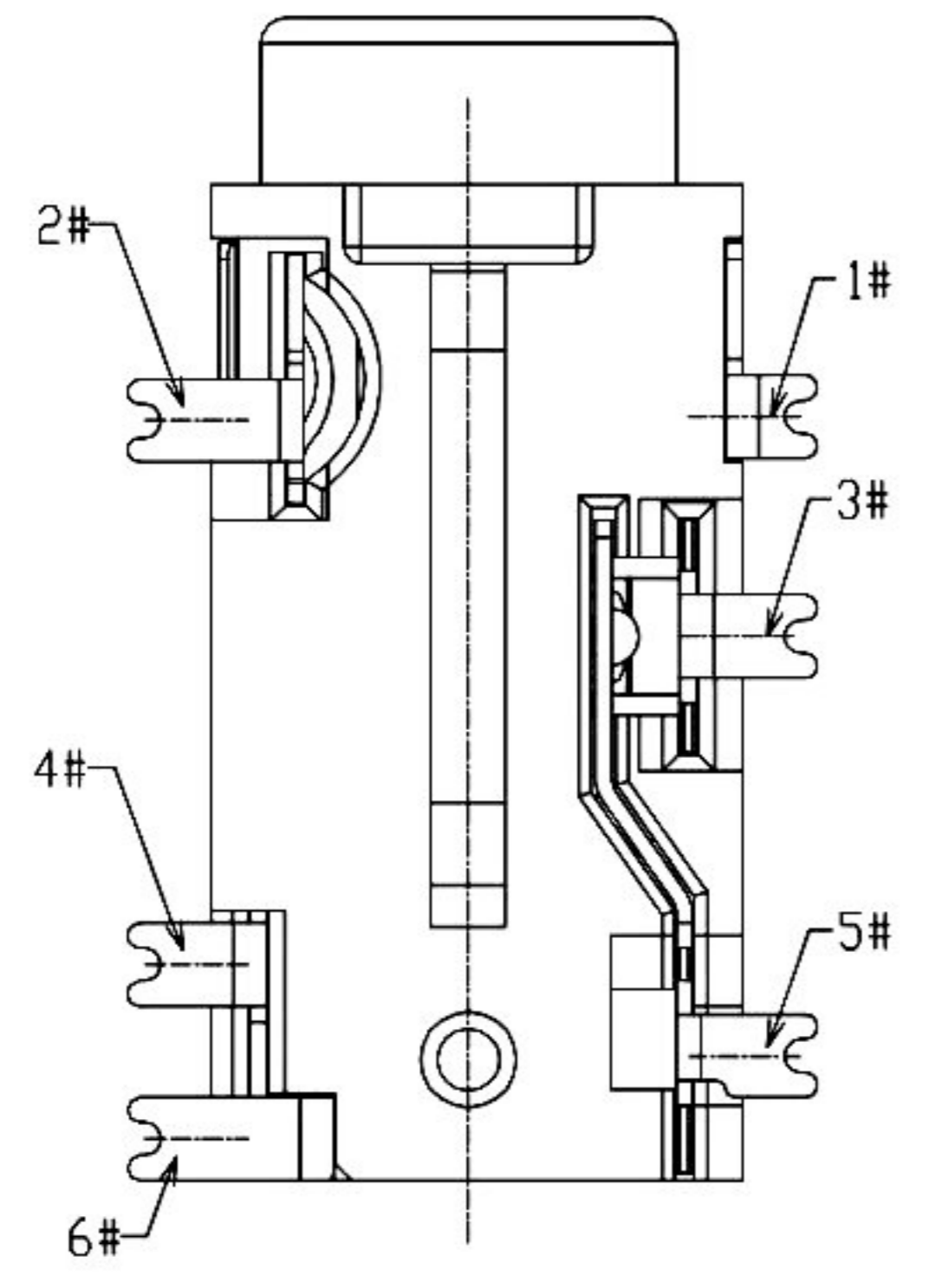
3D VIEW



1. CONTACT CURRENT RATING: 1A.
2. CONTACT RESISTANCE: 50 mΩ MAX.;
3. INSULATION RESISTANCE: 100MΩ MIN.;
4. DIELECTRIC WITHSTANDING: 500V AC MIN.;
5. DURABILITY: 5,000 CYCLES MIN.;
6. CONNECTOR MATING FORCES: 30N MAX.;
7. CONNECTOR UNMATING FORCES: 3N MIN.;

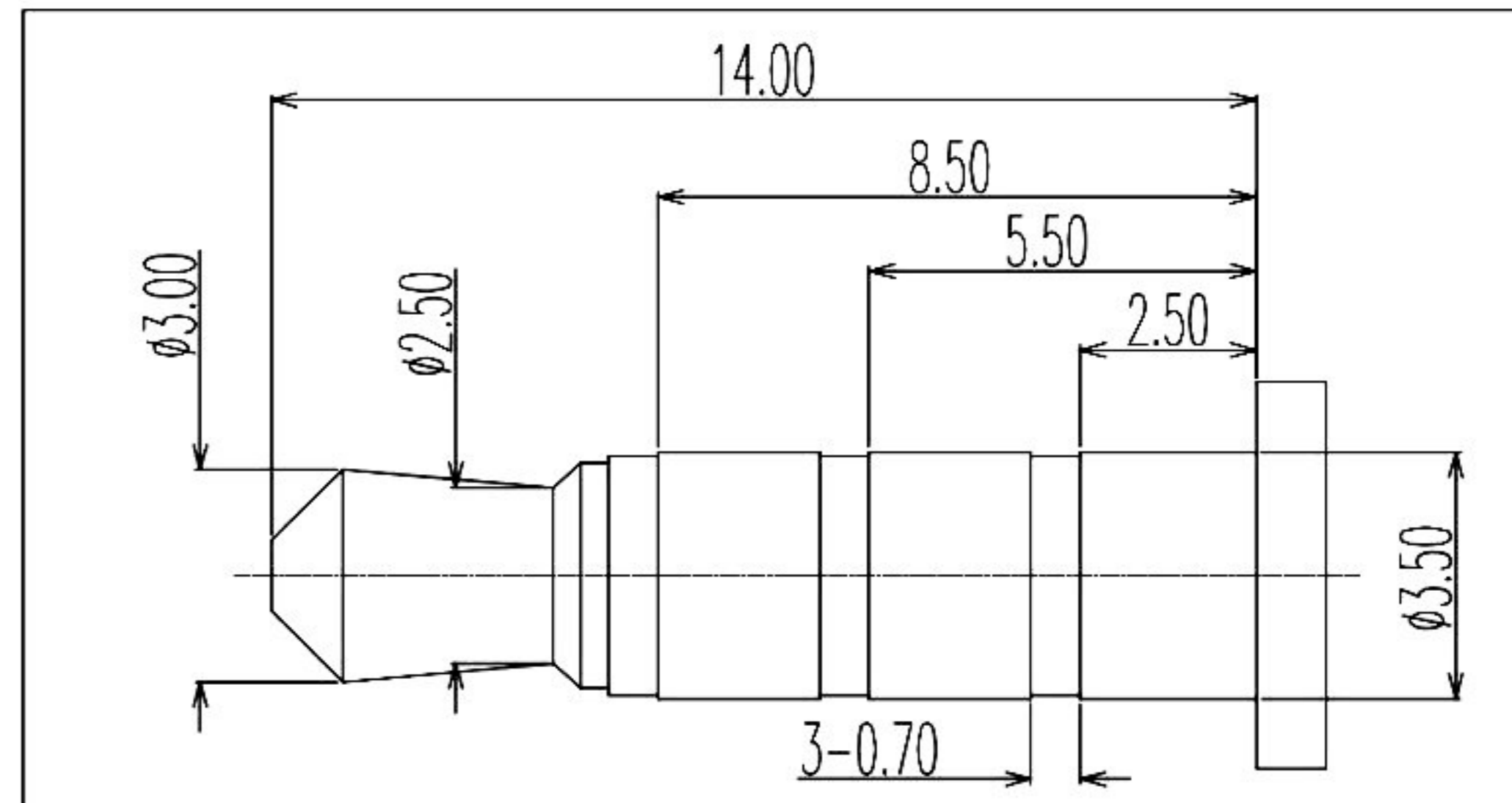


P.C.B LAYOUT  
TOP VIEW



( $\phi 3.50\text{mm}$  4 POLE PLUG SCHEMATIC )

SCHEMATIC



( $\phi 3.50\text{mm}$  4 POLE PLUG DETAIL DRAWING)

ITEM	NAME	Q'TY	DESCRIPTION
7	TERMINAL 6#	1	COPPER ALLOY; NICKEL UNDER PLATING OVERALL,GOLD PLATING ON SOLDER AREA ;GOLD PLATING ON CONTACT AREA
6	TERMINAL 5#	1	COPPER ALLOY; NICKEL UNDER PLATING OVERALL,GOLD PLATING ON SOLDER AREA ;GOLD PLATING ON CONTACT AREA
5	TERMINAL 4#	1	COPPER ALLOY; NICKEL UNDER PLATING OVERALL,GOLD PLATING ON SOLDER AREA ;GOLD PLATING ON CONTACT AREA
4	TERMINAL 3#	1	COPPER ALLOY; NICKEL UNDER PLATING OVERALL,GOLD PLATING ON SOLDER AREA ;GOLD PLATING ON CONTACT AREA
3	TERMINAL 2#	1	COPPER ALLOY; NICKEL UNDER PLATING OVERALL,GOLD PLATING ON SOLDER AREA ;GOLD PLATING ON CONTACT AREA
2	TERMINAL 1#	1	COPPER ALLOY; THE BOTTOM OF THE NICKEL; THE WHOLE GOLD PLATING.
1	HOUSING	1	HIGH TEMPERATURE PLASTIC;COLOR BLACK

RoHS  
Compliant

**HSM** 玄茂科技股份有限公司  
**HSUAN MAO TECHNOLOGY CO., LTD.**

APPD. 核准 HELEN  
DWG. 製圖 ABBY  
DATE 制表日 2022/07/21

TOLERANCE  
X. ±0.25  
X.x ±0.20  
X.xx ±0.15  
X.xxx ±0.10  
ANGULAR ±3°  
SCALE 比例 參考  
UNIT 單位 MM  
PAGE 張數 1 OF 1  
REV. 版次 A

PART NAME 品名  
 $\phi 3.5\text{MM}$  EARPHONE JACK 6PIN SMT TYPE  
W/ PLASTIC POSTS GOLD PLATING  
BLACK INSULATOR REEL PACKING ROHS  
PART NO. 料號 C8527-06YGBR00R