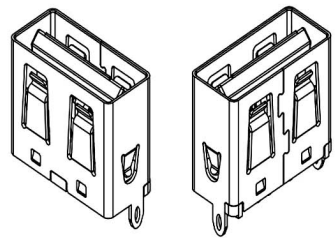
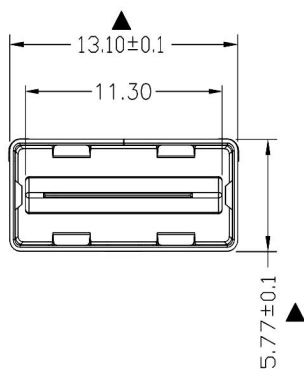


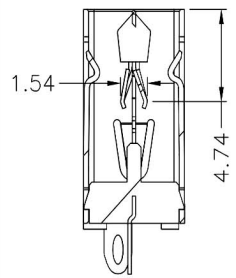
1 2 3 4 5 6 7 8

A
B
C
D
E
F
G
H

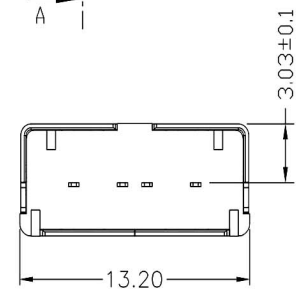
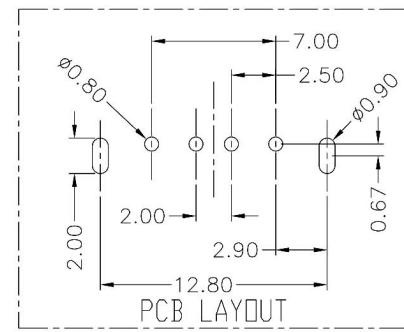
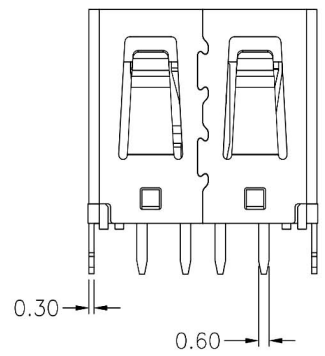
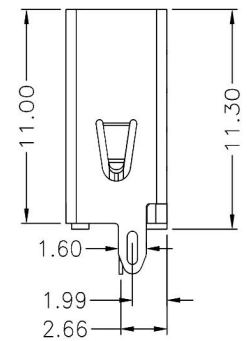
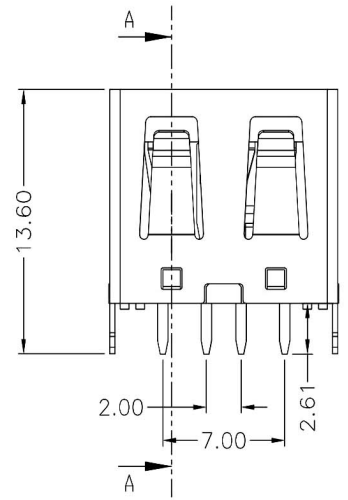


NOTES:

1. MATERIAL :
 - 1-1. HOUSING : THERMOPLASTICS ; GLASS FIBER FILLED ; UL94V-0 ; COLOR SEE P/N.
 - 1-2. CONTACT : COPPER ALLOY ; GOLD ON CONTACT AREA, TIN PLATED ON SOLDER TAILS.
 - 1-3. SHELL : SK7 ; NICKEL PLATED OVERALL.
2. ELECTRICAL CHARACTERISTICS:
 - 2-1. VOLTAGE : RATING: AC 30V MAX.
 - 2-2. CURRENT RATING : 3A MAX.
 - 2-3. CONTACT RESISTANCE : 30mΩ MAX.
 - 2-4. INSULATION RESISTANCE : 500MΩ / MINUTE
 - 2-5. DIELECTRIC WITHSTAND VOLTAGE : 500V AC.
 - 2-6. OPERATING TEMPERATURE RANGE : -30°C~+85°C
3. MECHANICAL CHARACTERISTICS:
 - 3-1. INSERTION FORCE: 35N MAX.
 - 3-2. EXTRACTION FORCE: 10N MIN.
4. DURABILITY: 3000 CYCLES.



剖面圖 A-A
比例 4:1



Pin Assignments	
Pin	Signal Nam
1 & 5	V-Bus
2 & 6	D-
3 & 7	D+
4 & 8	GND

RoHS Compliant		HSM 玄茂科技股份有限公司 HSUAN MAO TECHNOLOGY CO., LTD.	
APPD. 核准	SCALE 比例 參考	TOLERANCE X ±0.30 .XX ±0.25 .XXX ±0.15 X ±3° X ±2°	PART NAME 品名 USB 2.0 VERSION CONNECOTR REVERSIBLE TYPE A TYPE FEMALE 4PIN STRAIGHT TYPE NICKEL SHELL TRAY PACKING ROHS
DWG. 製圖 Betty	UNIT 單位 M M	SIZE. 紙張尺寸 A 4	PART NO. 料號 C8652-04AFSXXNHR
DATE 制表日 2020/04/13	PAGE 張數 1 OF 1	REV. 版次 A	

1 2 3 4 5 6 7 8