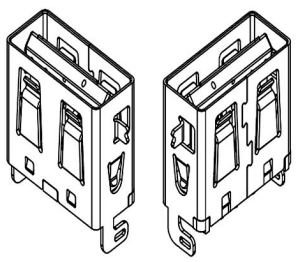
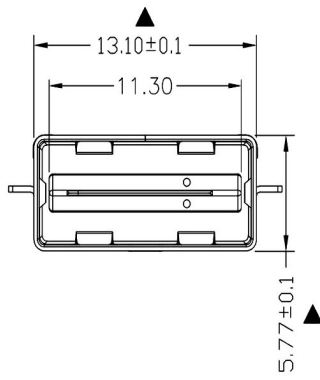


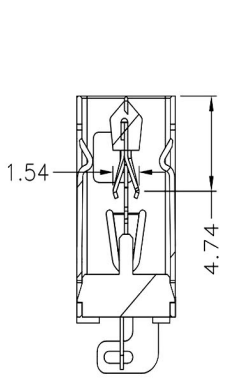
1 2 3 4 5 6 7 8

A
B
C
D
E
F
G
H

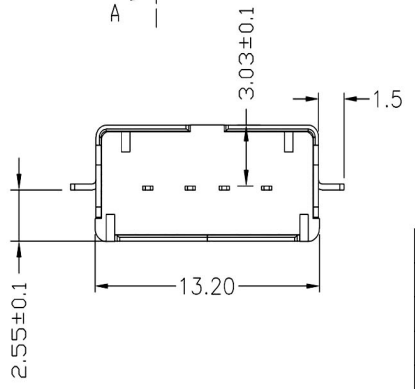
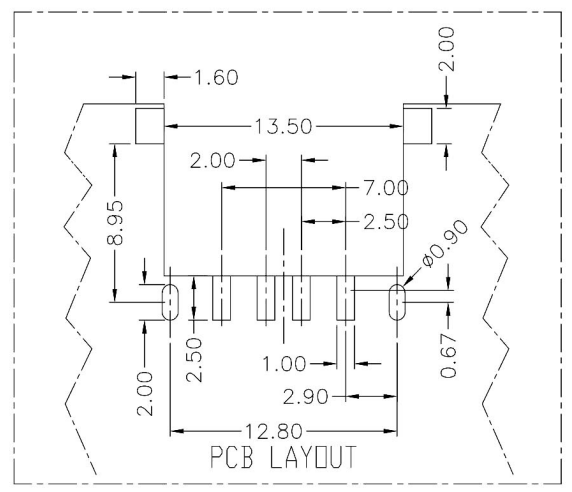
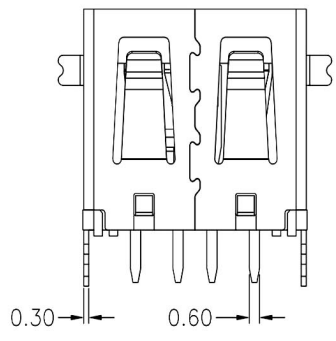
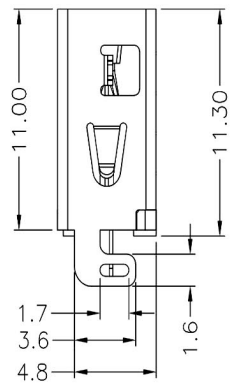
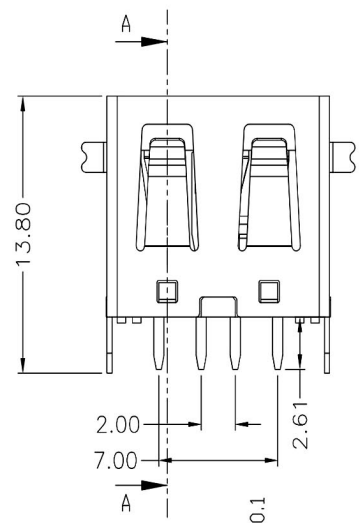


NOTES:

1. MATERIAL :
 - 1-1. HOUSING : THERMOPLASTICS ; GLASS FIBER FILLED ; UL94V-0 ; COLOR SEE P.N.
 - 1-2. CONTACT : COPPER ALLOY ; GOLD ON CONTACT AREA, TIN PLATED ON SOLDER TAILS.
 - 1-3. SHELL : SK7 ; NICKEL PLATED OVERALL.
2. ELECTRICAL CHARACTERISTICS:
 - 2-1. VOLTAGE : RATING : AC 30V MAX.
 - 2-2. CURRENT RATING : 3A MAX.
 - 2-3. CONTACT RESISTANCE : 30mΩ MAX.
 - 2-4. INSULATION RESISTANCE : 500MΩ / MINUTE
 - 2-5. DIELECTRIC WITHSTAND VOLTAGE : 500V AC.
 - 2-6. OPERATING TEMPERATURE RANGE : -30°C~+85°C
3. MECHANICAL CHARACTERISTICS:
 - 3-1. INSERTION FORCE: 35N MAX.
 - 3-2. EXTRACTION FORCE: 10N MIN.
4. DURABILITY: 3000 CYCLES.



剖面圖 A-A
比例 4:1



Pin Assignments	
Pin	Signal Nam
1 & 5	V-Bus
2 & 6	D-
3 & 7	D+
4 & 8	GND

RoHS Compliant		HSM 玄茂科技股份有限公司 HSIUAN MAO TECHNOLOGY CO., LTD.	
APPD. 核准 Betty	SCALE 比例 參考 UNIT 單位 M M PAGE 張數 1 OF 1	TOLERANCE .X ±0.30 .XX ±0.25 .XXX ±0.15 .X ±3° .X ±2°	PART NAME 品名 USB 2.0 VERSION CONNECOTR REVERSIBLE TYPE A TYPE FEMALE P.C.B. 4PIN OFFSET TYPE SHELL FOOT:SMT TYPE*1PAIR & DIP TYPE*1PAIR,PIN:SMT TYPE NICKEL SHELL TRAY PACKING ROHS PART NO. 料號 C8653-04AFBXXNHR
DATE 制表日 2020/04/13	UNIT 單位 M M PAGE 張數 1 OF 1	SIZE. 紙張尺寸 A 4 REV. 版次 A	

1 2 3 4 5 6 7 8