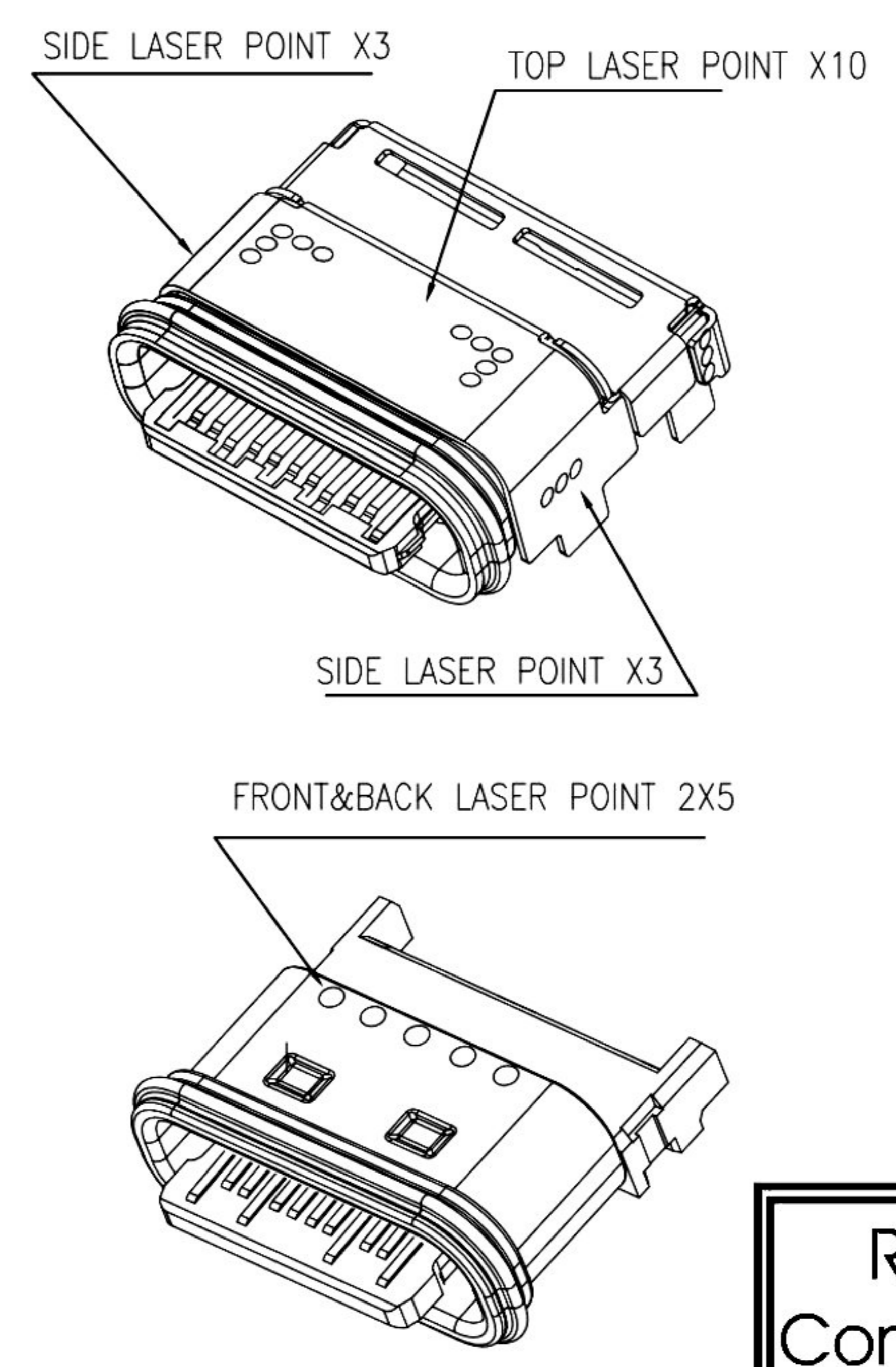
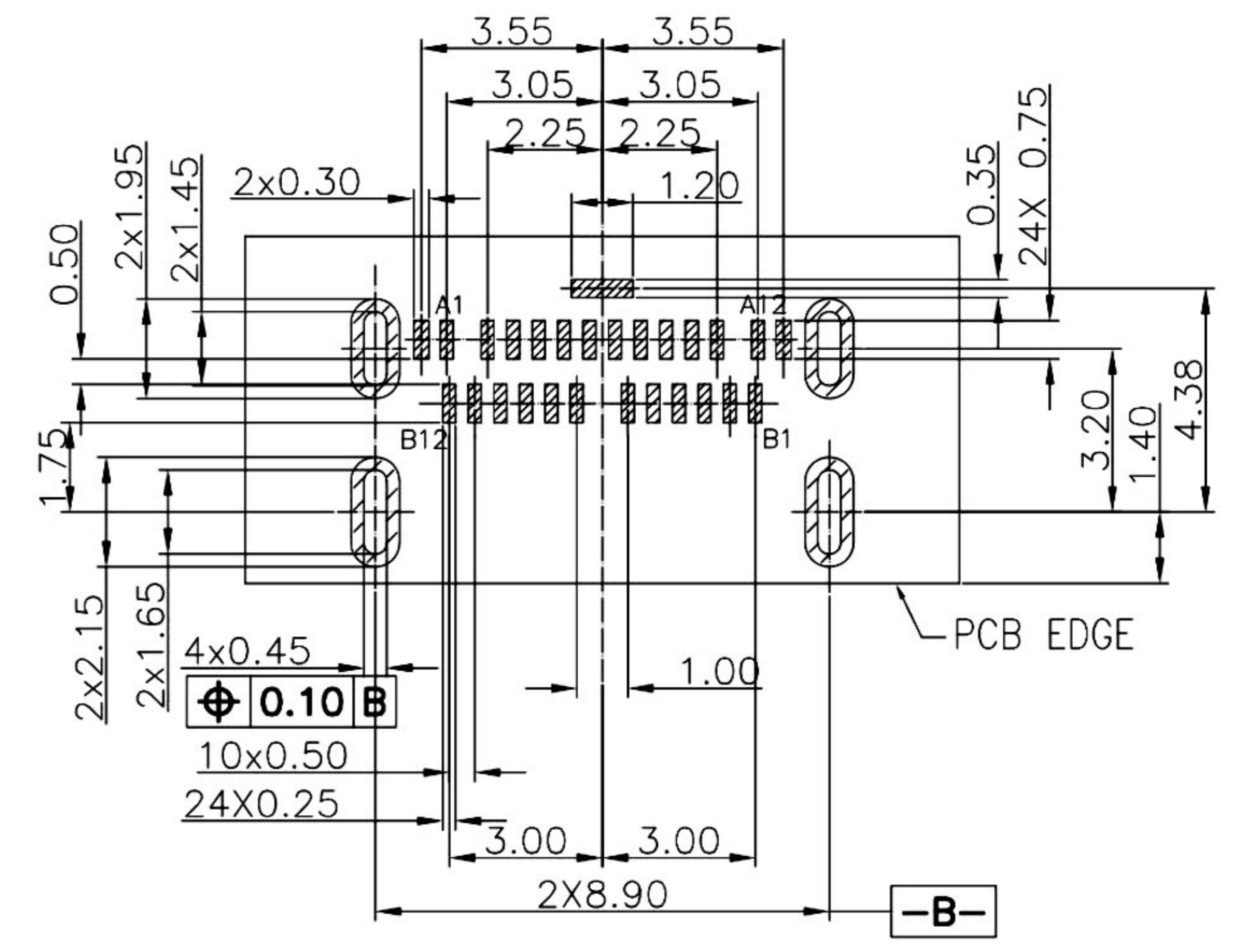
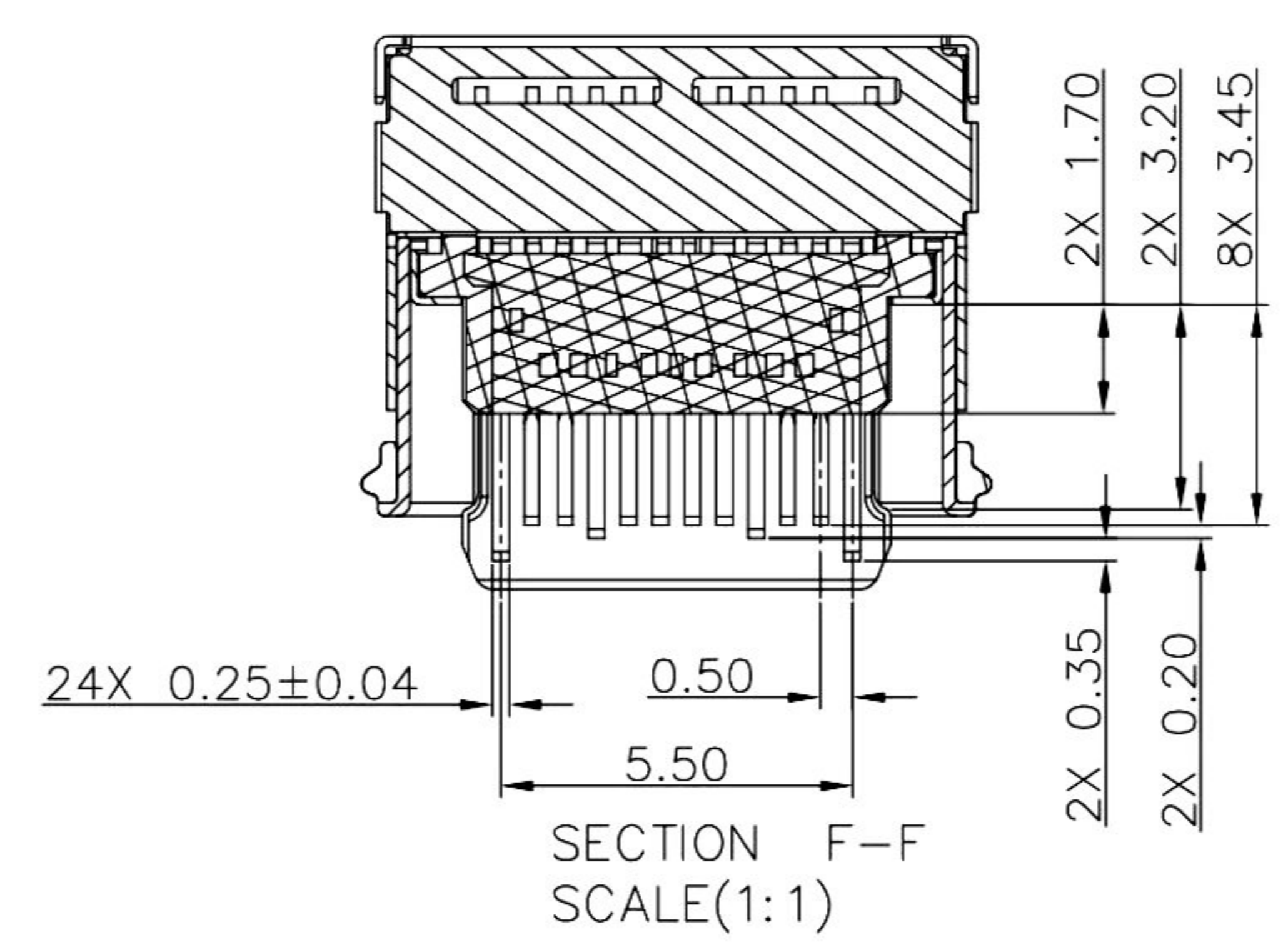
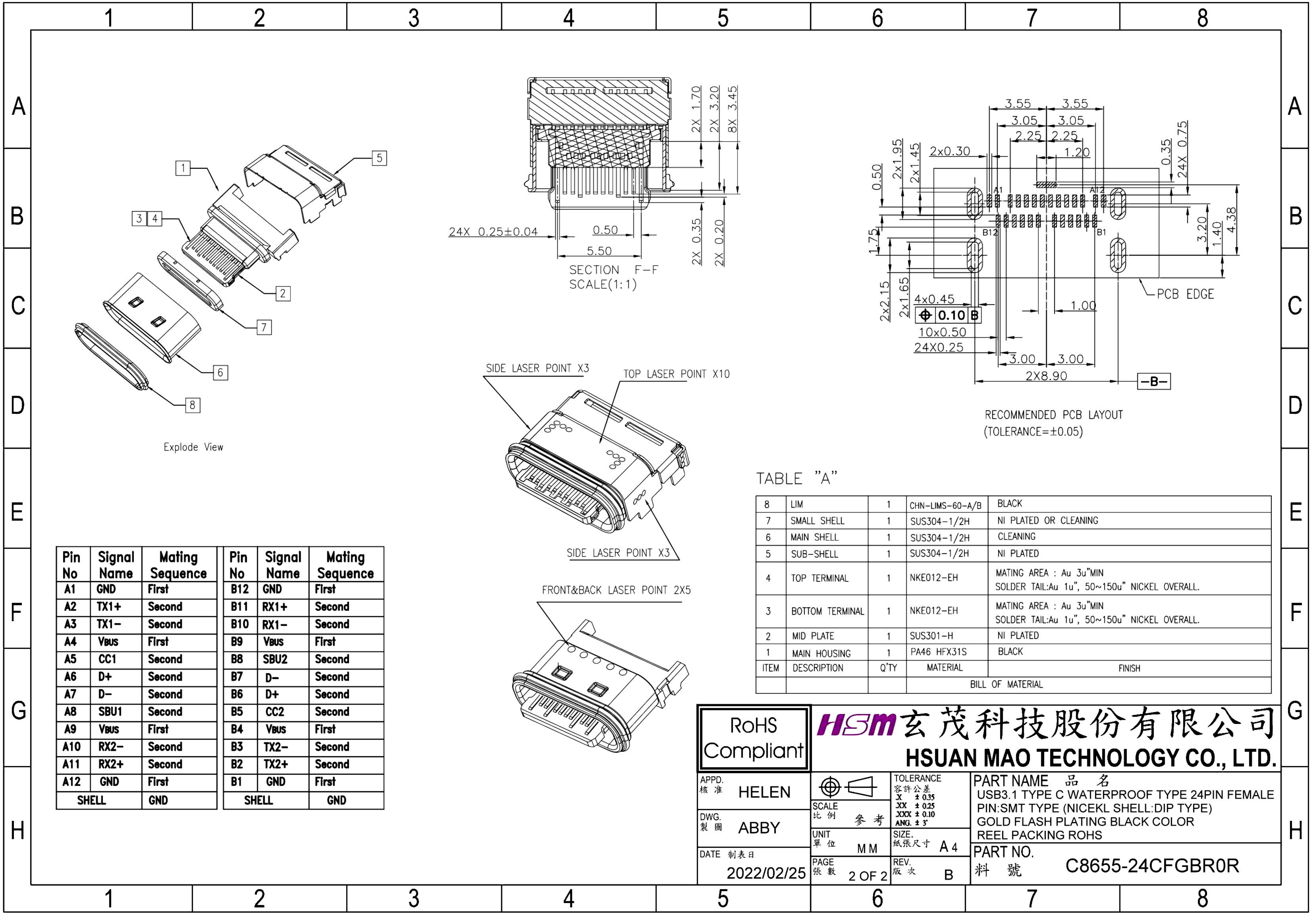


- NOTES:
- 1.MATERIAL :SEE TABLE "A"
 - 2.WATERPROOF : IPX4
 - 3.ELECTRICAL CHARACTERISTICS
 LOW LEVEL CONTACT RESISTANCE: 40 MΩ Max
 INSULATION RESISTANCE:100MΩ MIN
 DIELECTRIC WITHSTANDING VOLTAGE:100 VAC:
 CONTACT CURRENT RATING:5A Max
 - 4.MECHANICAL CHARACTERISTICS
 INSERTION FORCE: 5~20N
 EXTRACTION FORCE: 8~20N
 AFTER DURABILITY EXTRACTION FORCE: 6~20N
 - 5.DURABILITY: 10000 CYCLES
 - 6.PACKAGING TYPE: CARRIER TAPE.
 - 7.MATERIAL SHOULD BE FULFILLED AMPHENOL SPEC# SSN002 AND CUSTOMER REQUIREMENTS, FOR HALOGEN FREE PRODUCTS, ALSO NEED TO MEET SSN004

0.10 24X SMT TAILS(BEFORE IR)
 0.12 24X SMT TAILS(AFTER IR)

0.15 SHELL TAIL(BEFORE IR)
 0.20 SHELL TAIL(AFTER IR)

APPD. 核准 HELEN DWG. 製圖 ABBY DATE 制表日 2022/02/25				HSM 玄茂科技股份有限公司 HSUAN MAO TECHNOLOGY CO., LTD.		TOLERANCE 容許公差 X ± 0.35 XX ± 0.25 XXX ± 0.10 ANG. ± 3°		PART NAME 品名 USB3.1 TYPE C WATERPROOF TYPE 24PIN FEMALE PIN:SMT TYPE (NICEKL SHELL:DIP TYPE) GOLD FLASH PLATING BLACK COLOR REEL PACKING ROHS	
SCALE 比例 參考 UNIT 單位 MM PAGE 張數 1 OF 2		SIZE. 紙張尺寸 A4 REV. 版次 B		PART NO. 料號 C8655-24CFGBR0R					



Explode View

Pin No	Signal Name	Mating Sequence	Pin No	Signal Name	Mating Sequence
A1	GND	First	B12	GND	First
A2	TX1+	Second	B11	RX1+	Second
A3	TX1-	Second	B10	RX1-	Second
A4	Vbus	First	B9	Vbus	First
A5	CC1	Second	B8	SBU2	Second
A6	D+	Second	B7	D-	Second
A7	D-	Second	B6	D+	Second
A8	SBU1	Second	B5	CC2	Second
A9	Vbus	First	B4	Vbus	First
A10	RX2-	Second	B3	TX2-	Second
A11	RX2+	Second	B2	TX2+	Second
A12	GND	First	B1	GND	First
SHELL		GND	SHELL		GND

TABLE "A"

ITEM	DESCRIPTION	Q'TY	MATERIAL	FINISH
8	LIM	1	CHN-LIMS-60-A/B	BLACK
7	SMALL SHELL	1	SUS304-1/2H	NI PLATED OR CLEANING
6	MAIN SHELL	1	SUS304-1/2H	CLEANING
5	SUB-SHELL	1	SUS304-1/2H	NI PLATED
4	TOP TERMINAL	1	NKE012-EH	MATING AREA : Au 3u"MIN SOLDER TAIL:Au 1u", 50~150u" NICKEL OVERALL.
3	BOTTOM TERMINAL	1	NKE012-EH	MATING AREA : Au 3u"MIN SOLDER TAIL:Au 1u", 50~150u" NICKEL OVERALL.
2	MID PLATE	1	SUS301-H	NI PLATED
1	MAIN HOUSING	1	PA46 HFX31S	BLACK
BILL OF MATERIAL				

RoHS Compliant	HSM 玄茂科技股份有限公司 HSUAN MAO TECHNOLOGY CO., LTD.	
	APPD. 核准 HELEN	TOLERANCE 容許公差 X ± 0.35 XX ± 0.25 XXX ± 0.10 ANG. ± 3°
DWG. 製圖 ABBY	SCALE 比例 參考 UNIT 單位 MM PAGE 張數 2 OF 2	PART NAME 品名 USB3.1 TYPE C WATERPROOF TYPE 24PIN FEMALE PIN:SMT TYPE (NICEKL SHELL:DIP TYPE) GOLD FLASH PLATING BLACK COLOR REEL PACKING ROHS
DATE 制表日 2022/02/25	SIZE 紙張尺寸 A4 REV. 版次 B	PART NO. 料號 C8655-24CFGBR0R