

RECOMMENDED P.C.B. LAYOUT  
TOLERANCE UNSPECIFIED  $\pm 0.05\text{mm}$

### MATERIALS

HOUSING: SEE "TABLE 1"

TERMINAL: SEE "TABLE 1"

### SPECIFICATION

CURRENT RATING: 3A MAX

DIELECTRIC WITHSTANDING: 100V AC FOR ONE MINUTE

CONTACT RESISTANCE: INITIAL 40m $\Omega$  MAX.

AFTER 50m $\Omega$  MAX.

INSULATION RESISTANCE: 100M OHMS MIN AT DC 500V

OPERATION TEMPERATURE:  $-40^{\circ}\text{C} \sim 85^{\circ}\text{C}$

WATERPROOF : IPX7

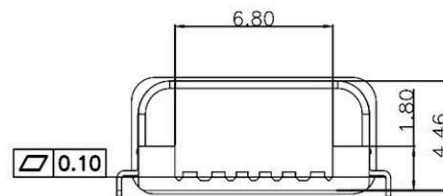
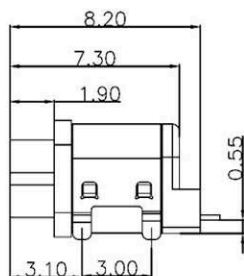
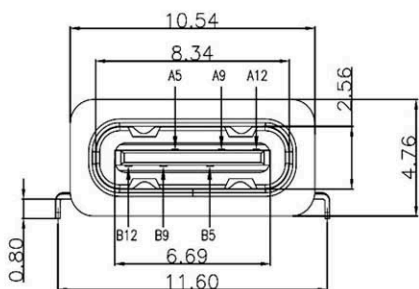
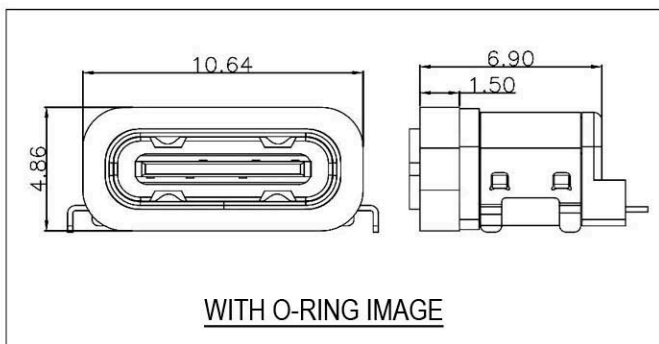


TABLE "1"

NO.	DESCRIPTION	MATERIAL	REMARKS	QTY
5	WATERTIGHT RING	SILICA GEL	BLACK	1PCS
4	SHELL	STAINLESS STEEL	NI Plated	1PCS
3	SHIELDING PLATE	STAINLESS STEEL	NI Plated	1PCS
2	CONTACT	COPPER ALLOY	TIN/Au/NI Plated	1SET
1	HOUSING	HIGH TEMPERATURE PLASTIC	BLACK	1PCS



PIN ASSIGNMENT:

PIN NO	A1&B12	A4&B9	A5	A5	A9&B4	A12&B1
SIGNAL NAME	GND	VBUS	CC1	CC2	VBUS	GND
PCB PAD NO.	C1	C2	C3	C4	C5	C6

RoHS  
Compliant

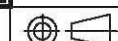
**HSM** 玄茂科技股份有限公司  
**HSUAN MAO TECHNOLOGY CO., LTD.**

APPD.  
核准

DWG.  
製圖

DATE  
2022/02/07

Helen



SCALE  
比例

UNIT  
單位

PAGE  
張數

TOLERANCE  
容許公差

0  $\pm 0.35$   
.00  $\pm 0.25$   
ANG.  $\pm 5^{\circ}$

SIZE  
紙張尺寸

1 OF 1  
REV.  
版本

PART NAME 品名  
USB3.1 TYPE C WATERPROOF TYPE 6PIN FEMALE  
PIN FOOT: SMT TYPE NICKEL SHELL: DIP TYPE  
CONTACT AREA: GOLD 1u" PLATING SOLDER AREA: TIN  
PLATING BLACK COLOR REEL PACKING ROHS

PART NO.  
料號

C8676-06CFNBR0R