

RoHS  
Compliant

**HSM** 玄茂科技股份有限公司  
**HSUAN MAO TECHNOLOGY CO., LTD.**

APPD. 核准  
 DWG. 製圖  
 DATE 制表日  
 2023/10/26

Betty

TOLERANCE  
 X. ±0.50 X\* ±2\*  
 .X ±0.30 .X\* ±1\*  
 .XX ±0.10 .XX\* ±0.5\*  
 .XXX ±0.05

SCALE 比例 參考

UNIT 單位 M M

PAGE 張數 1 OF 3

REV. 版次 A

PART NAME 品名  
 USB CONNECTOR TYPE C FEMALE 24PIN(DIP\*12P+SMT\*12P)  
 LONG BODY 90° W/O REAR COVER  
 SELECTIVE GOLD 3U" PLATING  
 NICKEL SHELL(DIP FOOT\*4PCS) BLACK COLOR(LCP)  
 REEL PACKING ROHS

PART NO.  
 料號 C8688-24CFNXPBORN

1 2 3 4 5 6 7 8

A

A

B

B

C

C

D

D

E

E

F

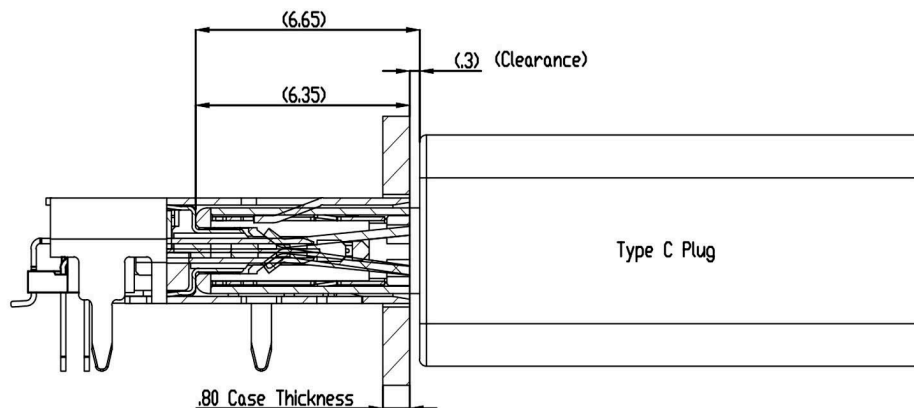
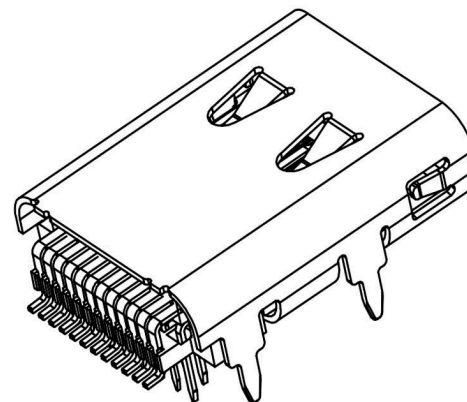
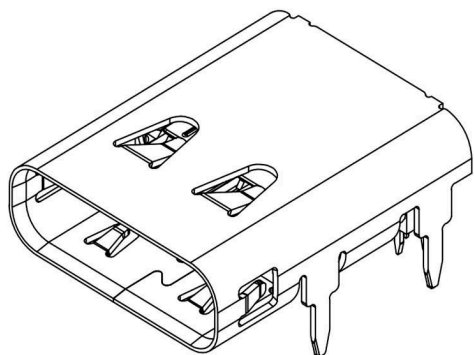
F

G

G

H

H



PLUG FULLY SEATED IN RECEPTACLE

RoHS  
Compliant

**HSM** 玄茂科技股份有限公司  
HSUAN MAO TECHNOLOGY CO., LTD.

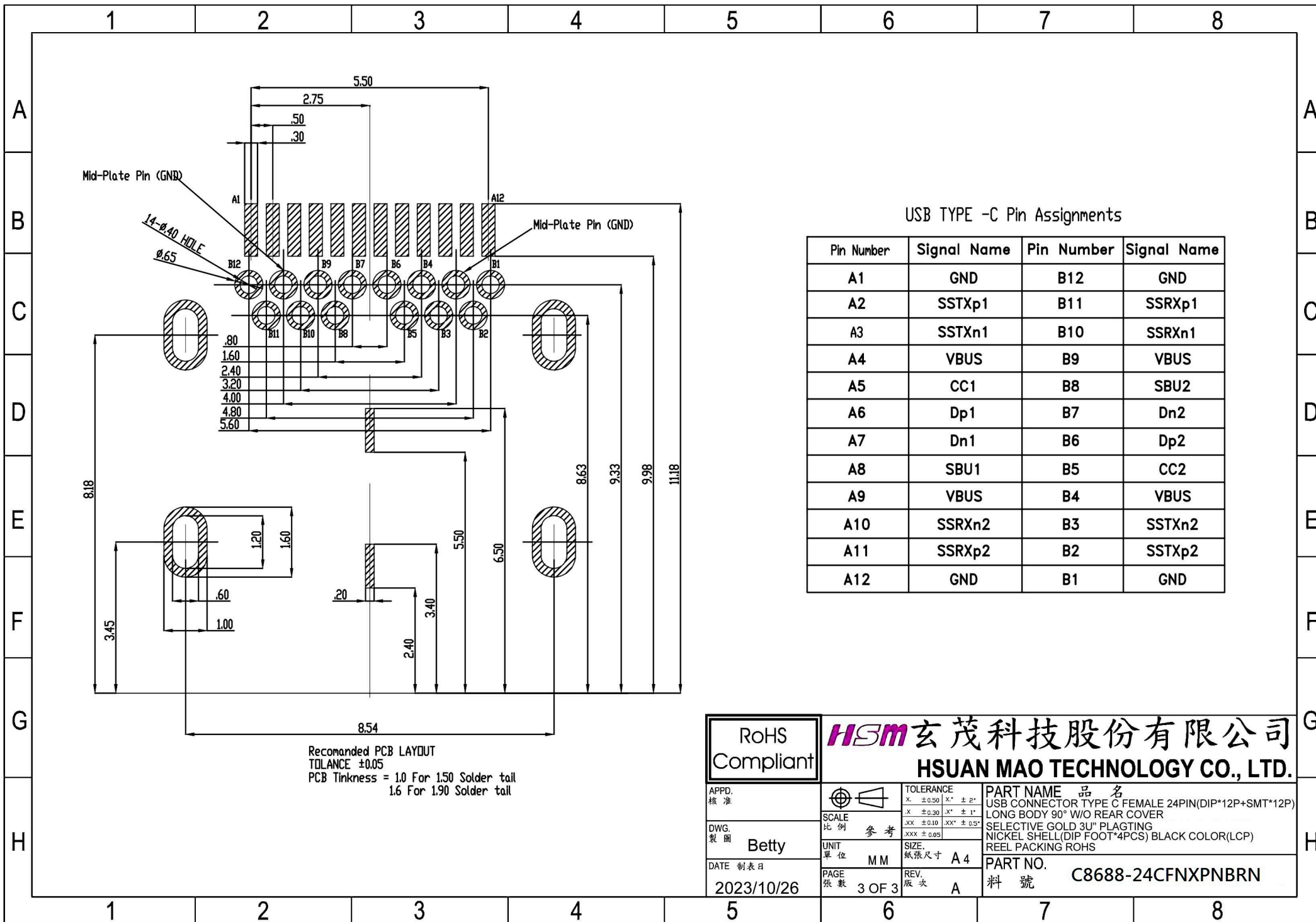
APPD.  
核准  
Betty  
DATE 制表日  
2023/10/26

SCALE  
比例 參考  
UNIT  
單位 MM  
PAGE  
張數 2 OF 3

TOLERANCE  
X. ±0.50 X.\* ±2\*  
.X ±0.30 .X\* ±1\*  
.XX ±0.10 .XX\* ±0.5\*  
XXX ±0.05  
SIZE  
紙張尺寸 A 4  
REV.  
版次 A

PART NAME 品名  
USB CONNECTOR TYPE C FEMALE 24PIN(DIP\*12P+SMT\*12P)  
LONG BODY 90° W/O REAR COVER  
SELECTIVE GOLD 3U" PLAGTING  
NICKEL SHELL(DIP FOOT\*4PCS) BLACK COLOR(LCP)  
REEL PACKING ROHS  
PART NO.  
料號 C8688-24CFNXPBNRN

1 2 3 4 5 6 7 8



USB TYPE -C Pin Assignments

Pin Number	Signal Name	Pin Number	Signal Name
A1	GND	B12	GND
A2	SSTXp1	B11	SSRXp1
A3	SSTXn1	B10	SSRXn1
A4	VBUS	B9	VBUS
A5	CC1	B8	SBU2
A6	Dp1	B7	Dn2
A7	Dn1	B6	Dp2
A8	SBU1	B5	CC2
A9	VBUS	B4	VBUS
A10	SSRXn2	B3	SSTXn2
A11	SSRXp2	B2	SSTXp2
A12	GND	B1	GND

Recomanded PCB LAYOUT  
 TDLANCE ±0.05  
 PCB Tinkness = 1.0 For 150 Solder tail  
 1.6 For 190 Solder tail

RoHS  
Compliant

**HSM** 玄茂科技股份有限公司  
**HSUAN MAO TECHNOLOGY CO., LTD.**

APPD. 核准  
 DWG. 製圖 Betty  
 DATE 制表日  
 2023/10/26

SCALE 比例 參考  
 UNIT 單位 M M  
 PAGE 張數 3 OF 3  
 TOLERANCE  
 X ±0.50 X\* ±2\*  
 .X ±0.30 .X\* ±1\*  
 .XX ±0.10 .XX\* ±0.5\*  
 .XXX ±0.05  
 SIZE. 紙張尺寸 A 4  
 REV. 版次 A

PART NAME 品名  
 USB CONNECTOR TYPE C FEMALE 24PIN(DIP\*12P+SMT\*12P)  
 LONG BODY 90° W/O REAR COVER  
 SELECTIVE GOLD 3U" PLAGTING  
 NICKEL SHELL(DIP FOOT\*4PCS) BLACK COLOR(LCP)  
 REEL PACKING ROHS  
 PART NO. C8688-24CFNXPBURN  
 料號