

PIN ASSIGNMENT:

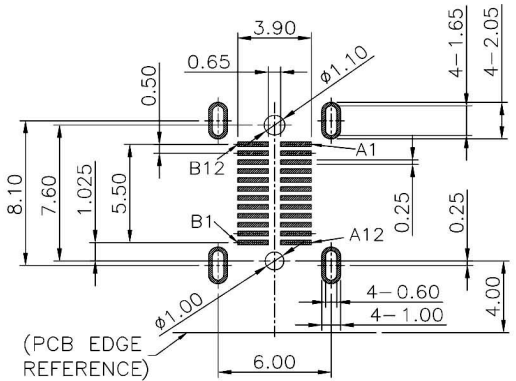
PIN	Signal Name	PIN	Signal Name
A1	GND	B12	GND
A2	SSTXp1	B11	SSRXp1
A3	SSTXn1	B10	SSRXn1
A4	Vbus	B9	Vbus
A5	CC1	B8	SBU2
A6	Dp1	B7	DN2
A7	Dn1	B6	DP2
A8	SBU1	B5	CC2
A9	Vbus	B4	Vbus
A10	SSRXn2	B3	SSTXn2
A11	SSRXp2	B2	SSTXp2
A12	GND	B1	GND

MATERIALS

- HOUSING : LCP (UL 94V-0), BLACK.
- TERMINAL : COPPER ALLOY,  
GOLD PLATED ON CONTACT AREA.  
GOLD FLASH PLATING ON SOLDER TAIL.  
NICKEL UNDERPLATED OVER ALL.
- MID PLATE : STAINLESS STEEL.
- SHELL : STAINLESS STEEL,NICKEL PLATING.

SPECIFICATION

- CURRENT RATING : 5.0A FOR Vbus PIN,  
1.25A FOR Vconn PIN,  
0.25A FOR OTHER PINS.
- CONTACT RESISTANCE : 40mΩ.
- INSULATION RESISTANCE : 100MΩ MIN.
- DIELECTRIC WITHSTANDING VOLTAGE : 100 VAC MIN.
- OPERATING TEMPERATURE : -40°C TO +85°C.
- MATING FORCE : 5~20N.
- UNMATING FORCE : 8~20N.
- DURABILITY : 10,000 CYCLES.
- RECOMMENDED PROCESS :  
THE PEAK TEMPERATURE ON THE BOARD SHALL  
MAINTAIN 260°C.



RECOMMENDED P.C.B LAYOUT  
TOLERANCE ± 0.05mm (TOP VIEW)

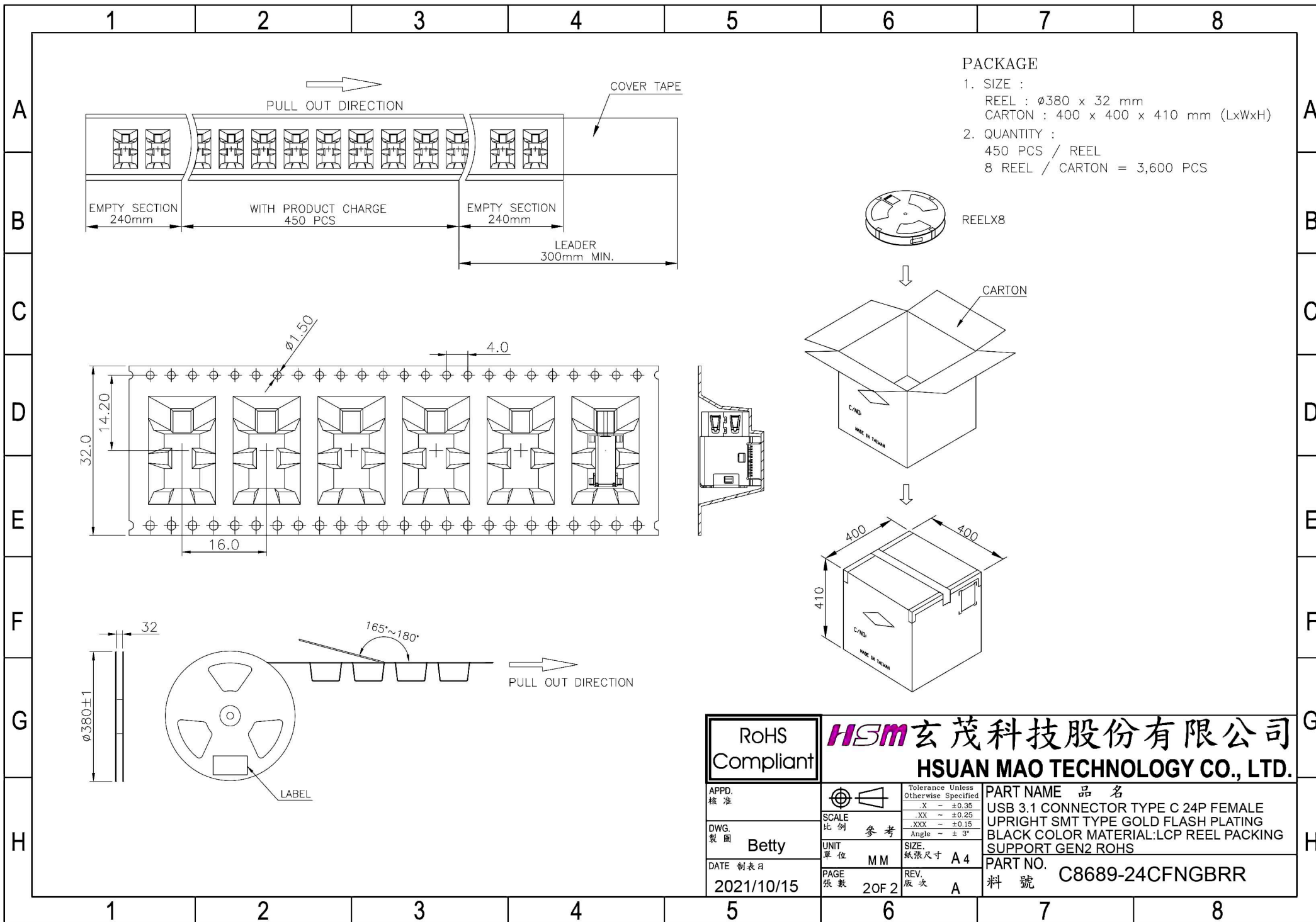
RoHS  
Compliant

**HSM** 玄茂科技股份有限公司  
**HSUAN MAO TECHNOLOGY CO., LTD.**

APPD.  
核准  
Betty  
DATE 制表日  
2021/10/15

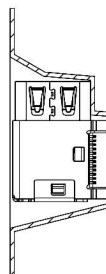
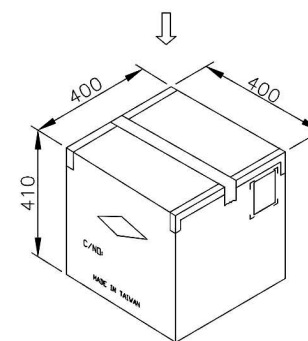
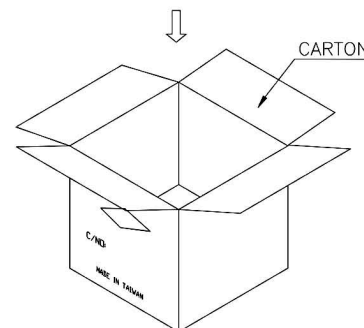
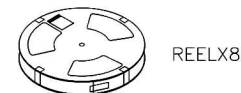
SCALE  
比例 參考  
UNIT  
單位 M M  
PAGE  
張數 1 OF 2

Tolerance Unless  
Otherwise Specified  
.X ~ ±0.35  
.XX ~ ±0.25  
.XXX ~ ±0.15  
Angle ~ ±3°  
PART NAME 品名  
USB 3.1 CONNECTOR TYPE C 24P FEMALE  
UPRIGHT SMT TYPE GOLD FLASH PLATING  
BLACK COLOR MATERIAL:LCP REEL PACKING  
SUPPORT GEN2 ROHS  
PART NO.  
料號 C8689-24CFNGBRR



**PACKAGE**

- 1. SIZE :  
 REEL :  $\phi 380 \times 32$  mm  
 CARTON : 400 x 400 x 410 mm (LxWxH)
- 2. QUANTITY :  
 450 PCS / REEL  
 8 REEL / CARTON = 3,600 PCS



RoHS Compliant		<b>HSM</b> 玄茂科技股份有限公司 HSUAN MAO TECHNOLOGY CO., LTD.	
APPD. 核准	 Tolerance Unless Otherwise Specified .X ~ ±0.35 .XX ~ ±0.25 .XXX ~ ±0.15 Angle ~ ±3°	PART NAME 品名	
DWG. 製圖		USB 3.1 CONNECTOR TYPE C 24P FEMALE UPRIGHT SMT TYPE GOLD FLASH PLATING BLACK COLOR MATERIAL:LCP REEL PACKING SUPPORT GEN2 ROHS	
DATE 制表日	SCALE 比例	UNIT 單位	PART NO.
2021/10/15	參考	MM	C8689-24CFNGBRR
	PAGE 張數	REV. 版次	料號
	2 OF 2	A	