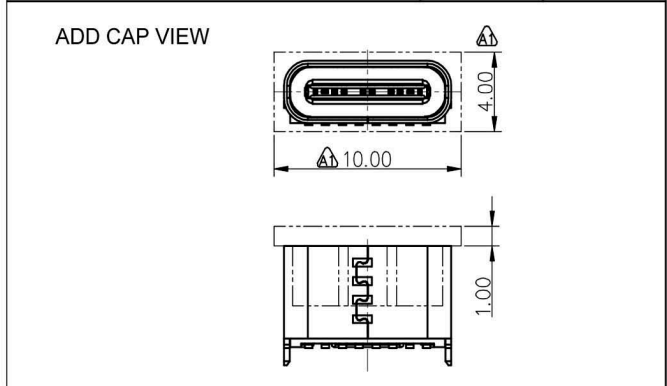
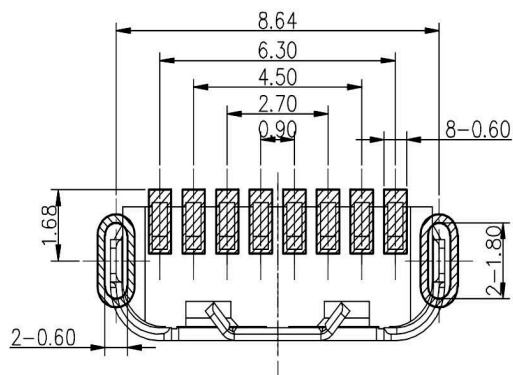
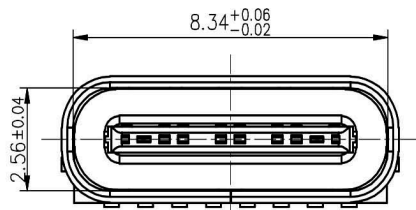
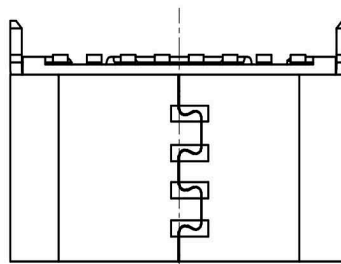
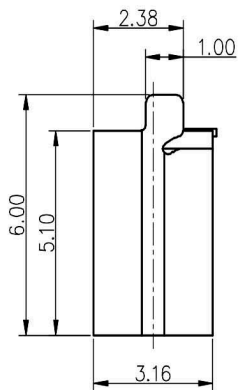
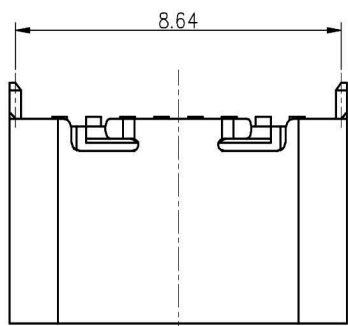


3D VIEW



NOTES:

- 1.MATERIAL:
  - 1.1 HOUSING:LCP UL94V-0
  - 1.2 CONTACT:COPPER ALLOY
  - 1.3 SHELL: STAINLESS STEEL
  - 1.4 MID PLATE:STAINLESS STEEL
- 2.FINISH:
  - 2.1 CONTACT:G/F PLATING ON CONTACT AREA; MATTE TIN ON SOLDER TAIL; Ni ALL OVER;
  - 2.2 SHELL: Ni 50u" MIN. UNDER PLATED OVER ALL;
  - 2.3 MID PLATE: CLEAN
- 3.ELECTRICAL:
  - 3-1.CURRENT RATING: 3.0A MAX
  - 3-2.INSULATION RESISTANCE: 100 MEGAOHMS MIN.
  - 3-3.DIELECTRIC WITHSTANDING VOLTAGE: 100VAC MIN.
  - 3-4.LOW LEVEL CONTACT RESISTANCE: INITIAL 40mΩ MAX. AFTER 50mΩ MAX.
- 4.MECHANICAL CHARACTERISTICS:
  - 4-1.MATING FORCE:5~20N
  - 4-2.UNMATING FORCE:8~20N(INITIAL); 6~20N(AFTER TEST);
  - 4-3.DURABILITY: 5000 MATING CYCLES.
  - 4-4.OPERATING TEMPERATURE: -40°C TO +75°C



RECOMMENDED P.C.B. LAYOUT  
TOLERANCE UNSPECIFIED ±0.05mm

RoHS Compliant

**HSM** 玄茂科技股份有限公司  
HSUAN MAO TECHNOLOGY CO., LTD.

APPD. 核准  
DWG. 製圖  
DATE 制表日  
2023/10/24

SCALE 比例 參考  
UNIT 單位 MM  
PAGE 張數 1 OF 1

TOLERANCE 容許公差  
.0 ± 0.30  
.00 ± 0.20  
ANG. ± 3°  
SIZE 紙張尺寸 A 4  
REV. 版次 A

PART NAME 品名  
USB CONNECTOR TYPE C SHORT BODY 8PIN  
FEMALE SMT 180° TYPE NICKEL SHELL FOOT:DIP TYPE,  
PIN FOOT:SMT TYPE SELECTIVE GOLD PLATING  
MATERIAL:LCP BLACK COLOR PAD+REEL PACKING ROHS  
PART NO. 料號  
C8694-08CFNSBQR