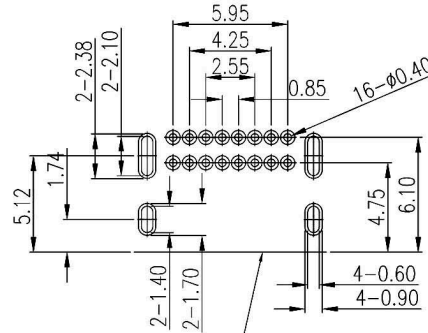
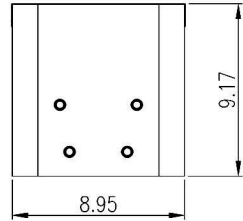
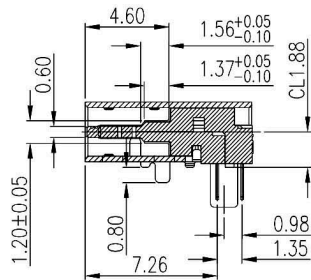
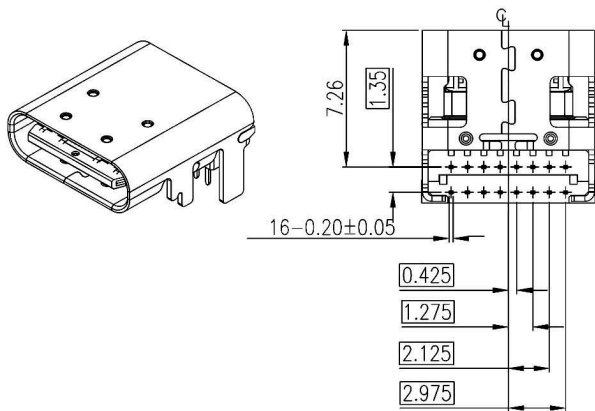
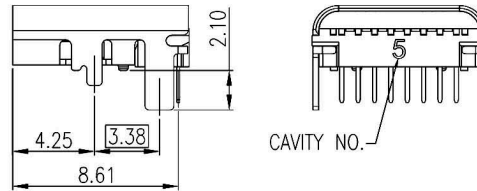
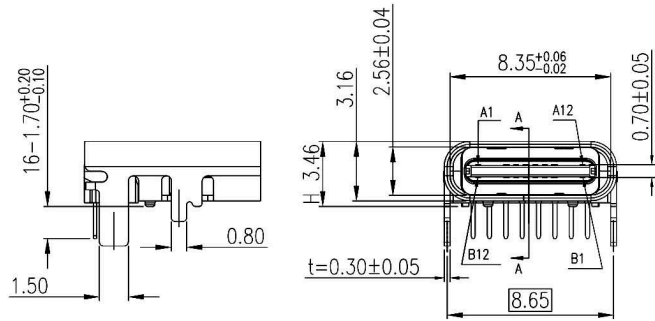


Pin	Signal Name	Mating Sequence	Pin	Signal Name	Mating Sequence
A1	GND	First	B12	GND	First
A4	V _{bus}	First	B9	V _{bus}	First
A5	CC1	Second	B8	SBU2	Second
A6	Dp1	Second	B7	Dn2	Second
A7	Dn1	Second	B6	Dp2	Second
A8	SBU1	Second	B5	CC2	Second
A9	V _{bus}	First	B4	V _{bus}	First
A12	GND	First	B1	GND	First
SHELL	GND		SHELL	GND	



PRODUCT EDGE
RECOMMENDED P.C.B LAYOUT

PCB THICKNESS: 1.60±0.05mm
DEFAULT TOLERANCE: ±0.05

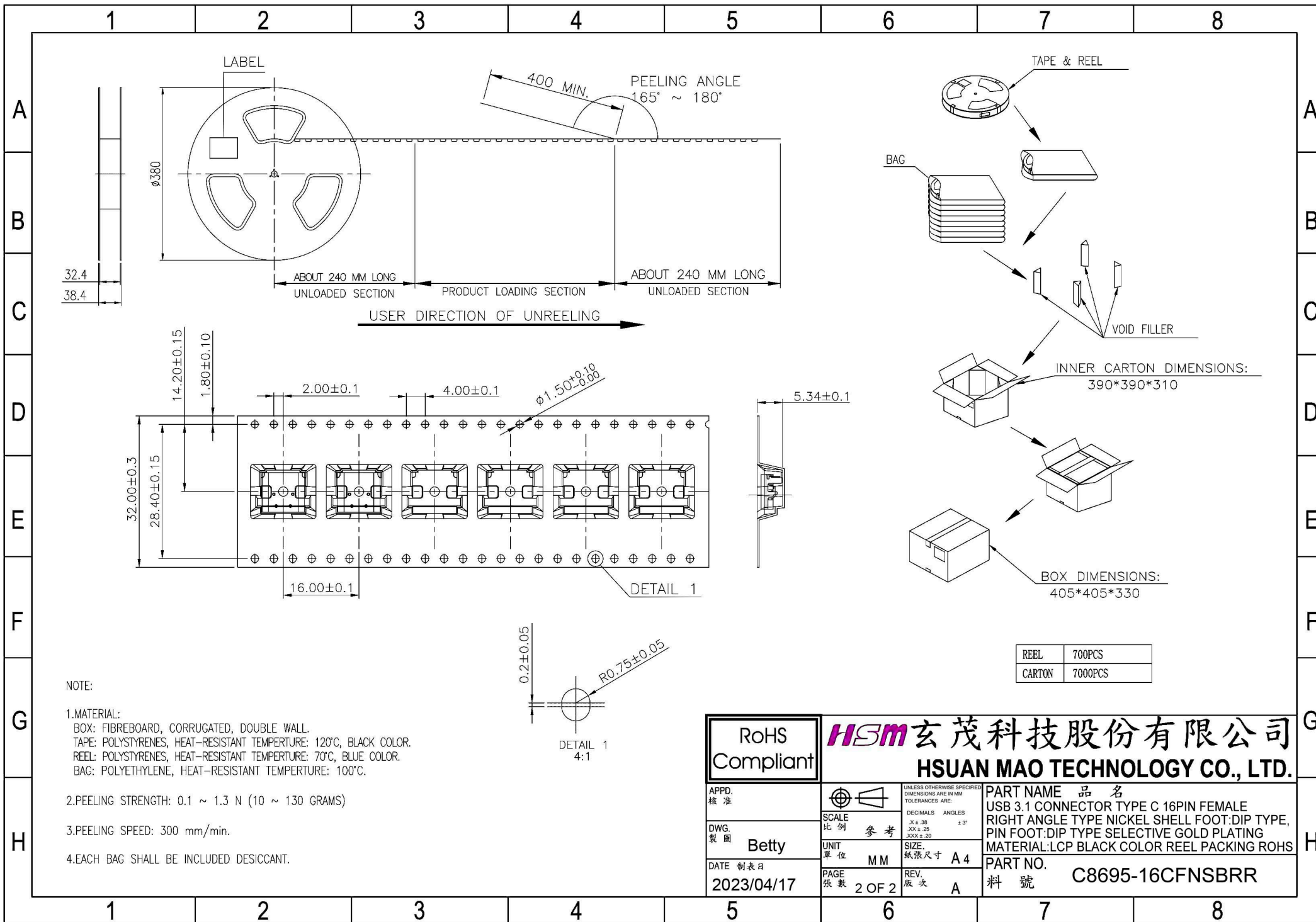


SECTION A-A

NOTES:

- Material:
Insulator: High Temperature Plastic, UL 94V-0 Rated.
Color: Black.
Contact: Copper Alloy, T=0.15mm.
Plating: Gold Plating over Nickel(50u" Min.) on Contact Area;
Tin(80u" Min.) Plating over Nickel(50u" Min.) on Solder Tail.
Shell: Stainless Steel, T=0.30mm.
Plating: Nickel(50u" Min.) Plating over All.
- Mechanical:
Insertion Force: 5~20N Max.
Withdrawal Force: 8~20N Min.
Durability: 10,000Cycles.
- Electrical Specification:
Current Rating: 5A Max for VBUS Pins;
1.25A for VCONN Pins.
Contact Resistance: 40mΩ Max for Initial.
10mΩ Change after Test Measure at 20mV, 100mA.
Insulation Resistance: 100MΩ Min.
Dielectric Withstanding Voltage: 100V AC R.M.S.
- Environmental:
Operating Temperature: -40°C to +105°C.

RoHS Compliant		HSM 玄茂科技股份有限公司 HSUAN MAO TECHNOLOGY CO., LTD.	
APFD. 核准		UNLESS OTHERWISE SPECIFIED DIMENSIONS ARE IN MM TOLERANCES ARE:	PART NAME 品名 USB 3.1 CONNECTOR TYPE C 16PIN FEMALE RIGHT ANGLE TYPE NICKEL SHELL FOOT:DIP TYPE, PIN FOOT:DIP TYPE SELECTIVE GOLD PLATING
DWG. 製圖	Betty	SCALE 比例 參考	MATERIAL:LCP BLACK COLOR REEL PACKING ROHS
DATE 制表日	2023/04/17	UNIT 單位	PART NO. 料號
		PAGE 張數	C8695-16CFNSBRR
		REV. 版次	
		SIZE. 紙張尺寸	
		DECIMALS ANGLES	
		X ± .30 ± 3°	
		XX ± .25	
		XXX ± .20	



NOTE:

- 1.MATERIAL:
 BOX: FIBREBOARD, CORRUGATED, DOUBLE WALL.
 TAPE: POLYSTYRENES, HEAT-RESISTANT TEMPERATURE: 120°C, BLACK COLOR.
 REEL: POLYSTYRENES, HEAT-RESISTANT TEMPERATURE: 70°C, BLUE COLOR.
 BAG: POLYETHYLENE, HEAT-RESISTANT TEMPERATURE: 100°C.
- 2.PEELING STRENGTH: 0.1 ~ 1.3 N (10 ~ 130 GRAMS)
- 3.PEELING SPEED: 300 mm/min.
- 4.EACH BAG SHALL BE INCLUDED DESICCANT.

REEL	700PCS
CARTON	7000PCS

RoHS Compliant	HSM 玄茂科技股份有限公司 HSUAN MAO TECHNOLOGY CO., LTD.	
	PART NAME 品名 USB 3.1 CONNECTOR TYPE C 16PIN FEMALE RIGHT ANGLE TYPE NICKEL SHELL FOOT:DIP TYPE, PIN FOOT:DIP TYPE SELECTIVE GOLD PLATING	
APPD. 核准	SCALE 比例 参考	UNLESS OTHERWISE SPECIFIED DIMENSIONS ARE IN MM TOLERANCES ARE: X ± .30 ANGLES ± 3° XX ± .25 XXX ± .20
DWG. 製圖		UNIT 單位
DATE 制表日 2023/04/17	Betty	SIZE. 紙張尺寸
	PAGE 張數	REV. 版次
	2 OF 2	A
		PART NO. 料號
		C8695-16CFNSBRR