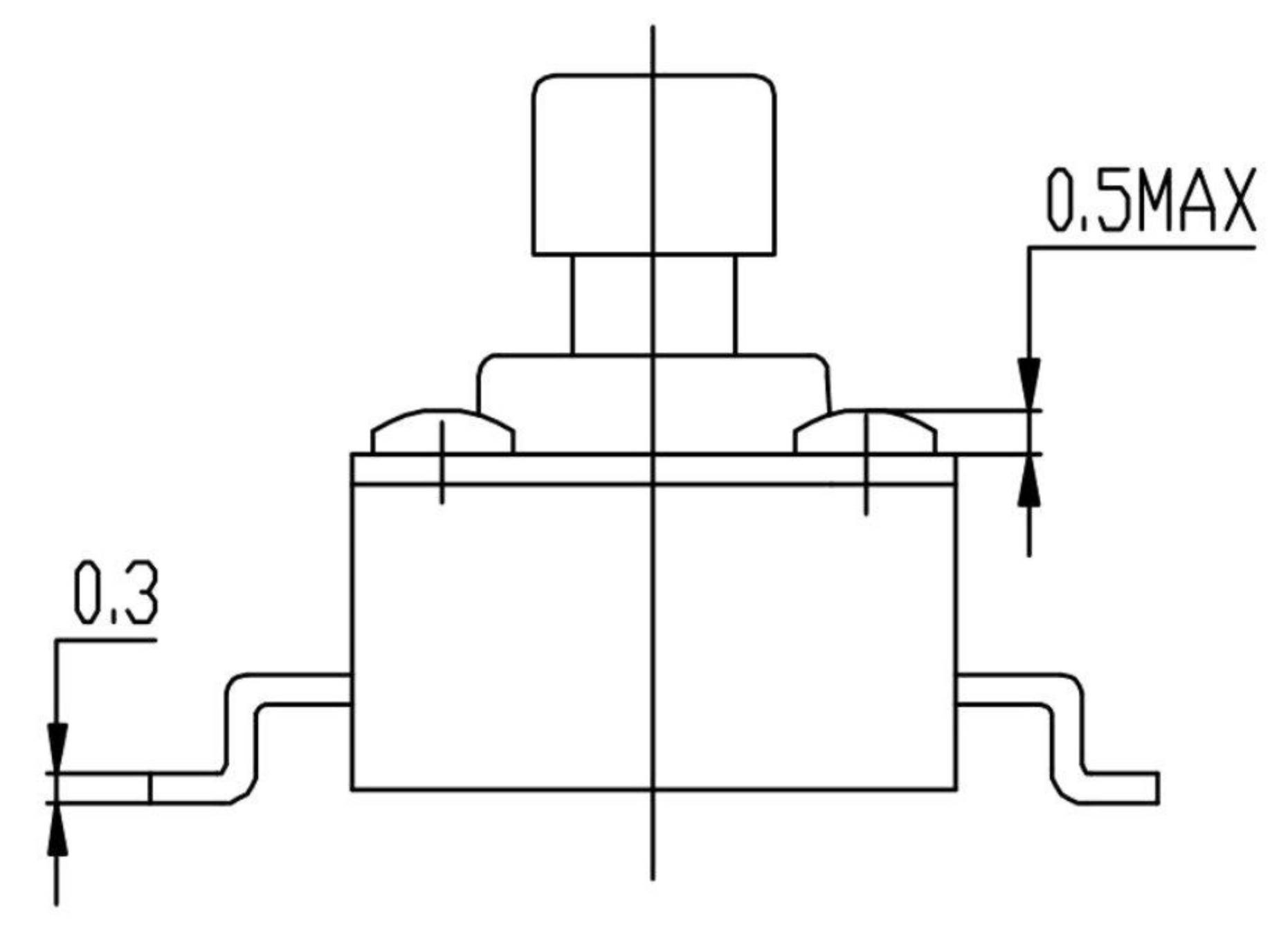
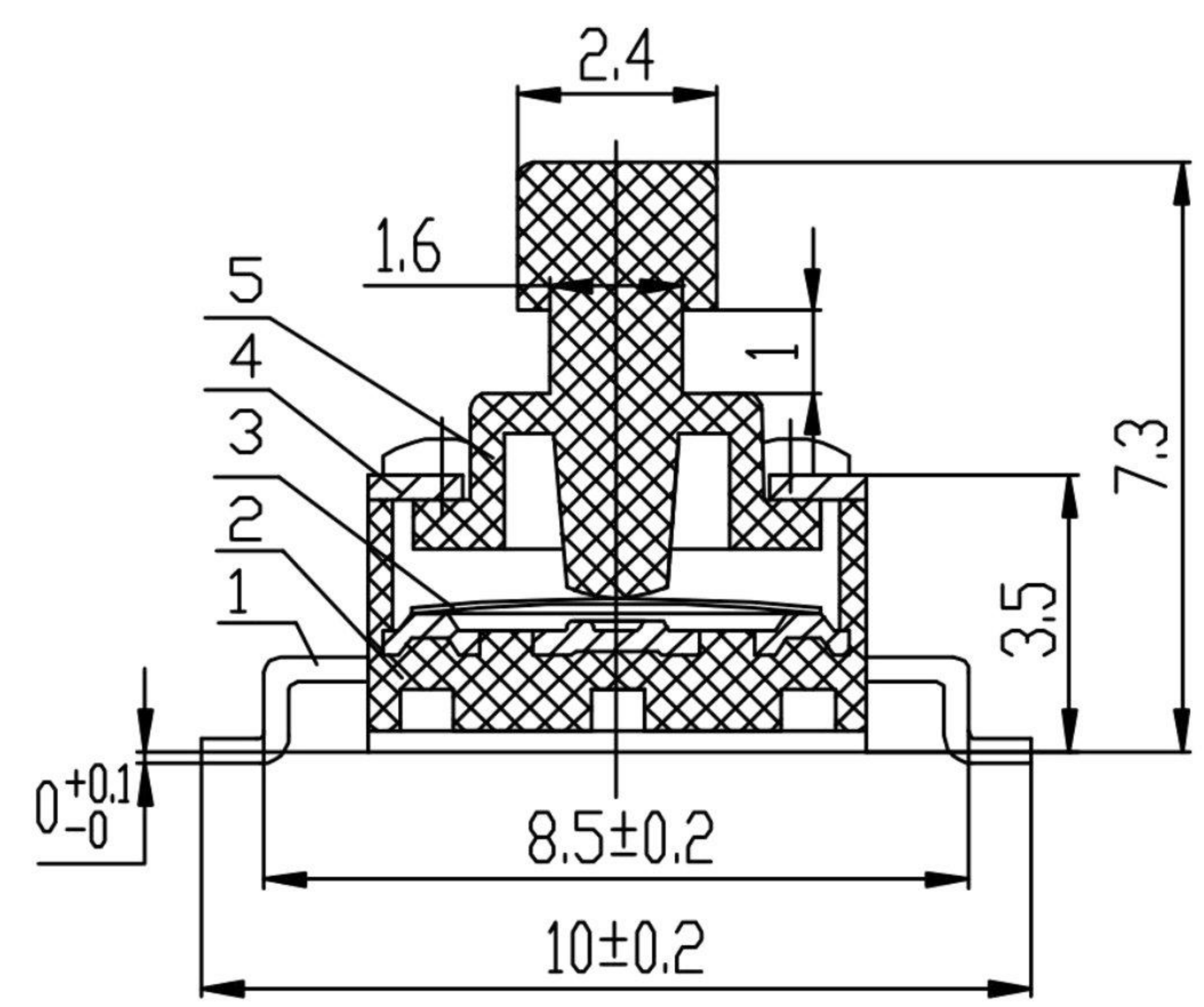
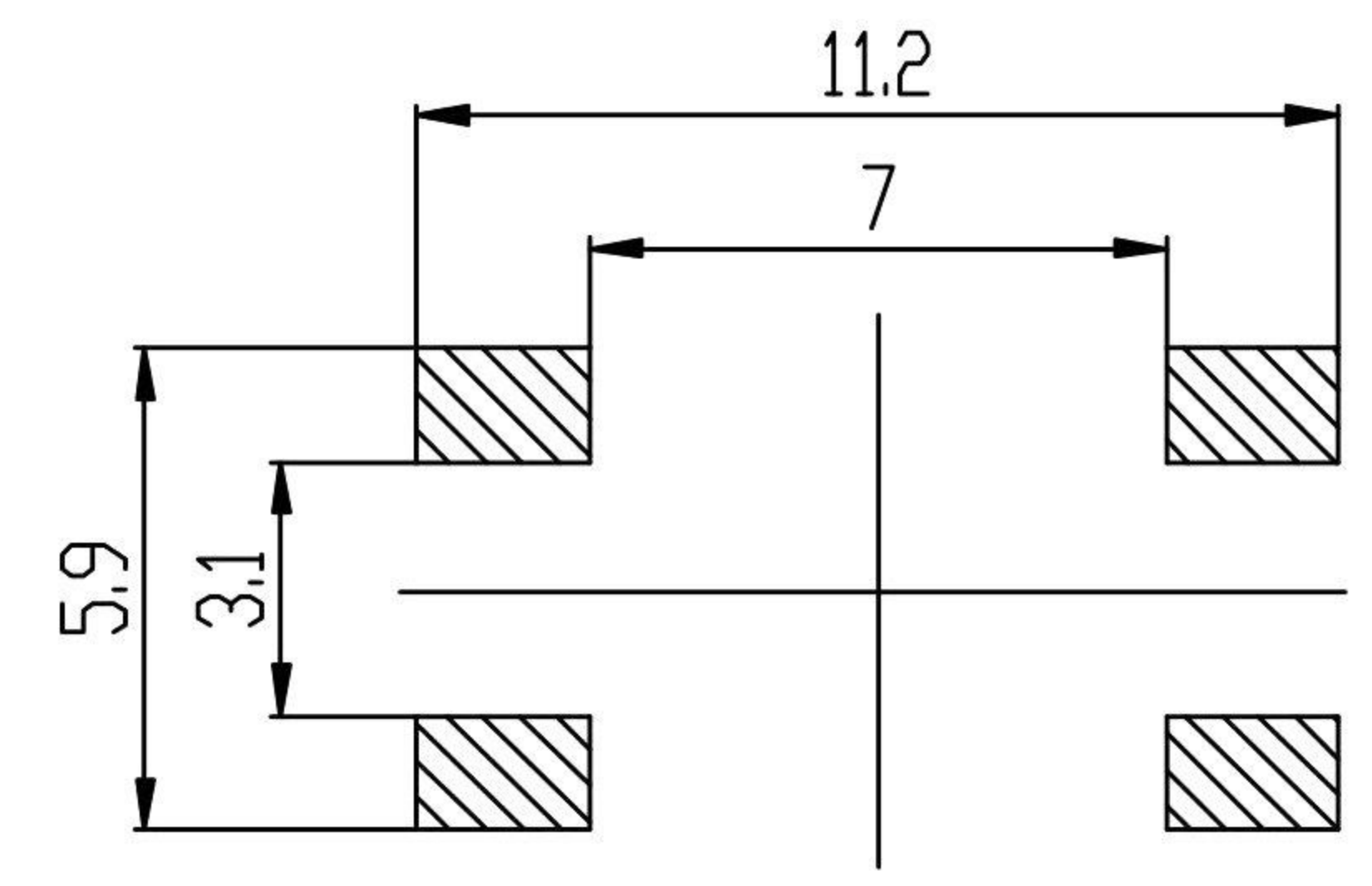


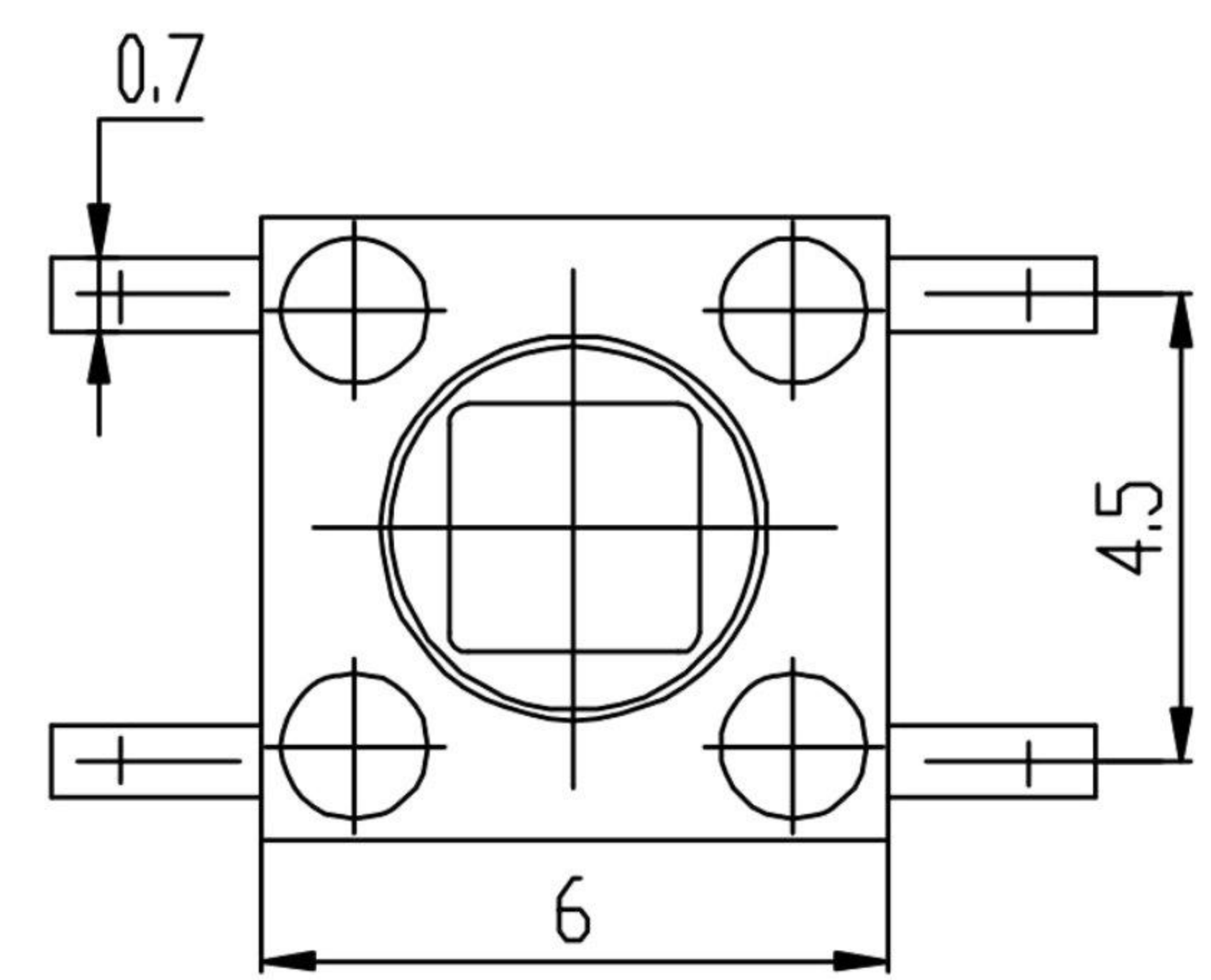
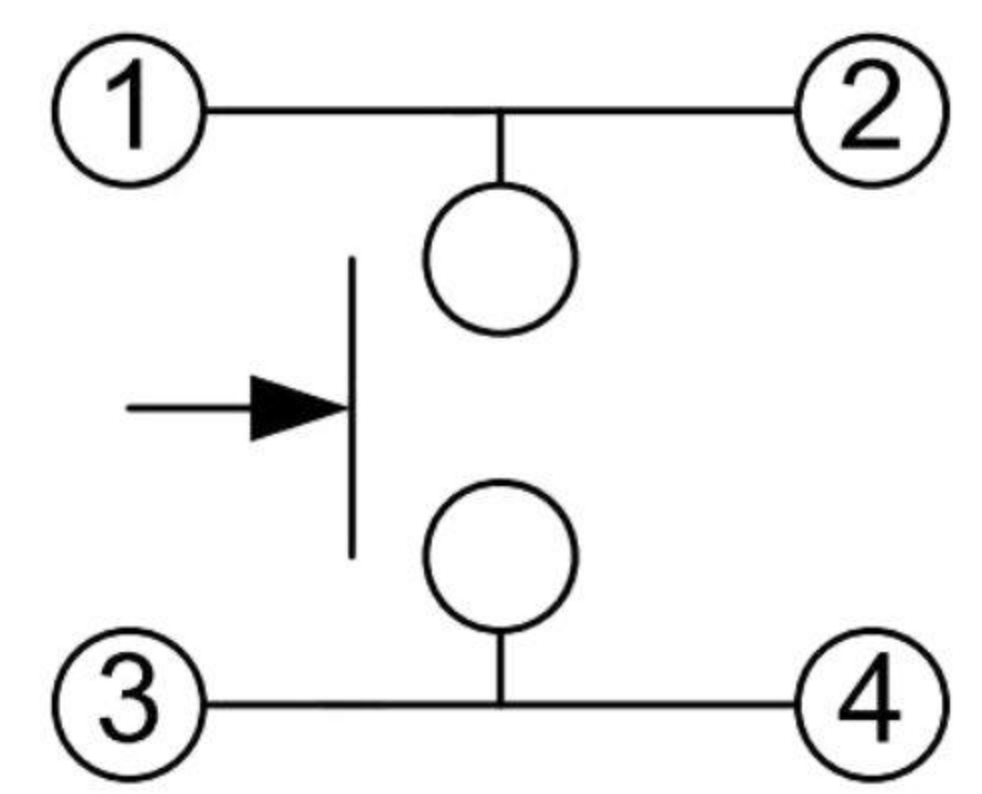
General specifications

Circuit : PUSH ON
 Rating : D.C. 12V 50mA
 Contact R.[max] : 50mΩ (initial)
 Insulation R.[min] : D.C. 100V 100MΩ
 Withstand VOL. : A.C. 250V 1minute
 Operating force : 160±50g
 Life cycle[max] : 80,000 CYCLES

LAYOUT



SCHEMATIC



MATERIAL SPECIFICATIONS

| ITEM | PART NAME | MATERIAL | QTY | FINISH |
|------|-----------|---------------|-----|-------------|
| 1 | COVER | SPCC-SD | 1 | CuSn Plated |
| 2 | KNOB | FR52 | 1 | N/A |
| 3 | CASE | FR52 | 1 | Black |
| 4 | TERMINAL | Brass Strip | 2 | Ag Plated |
| 5 | CONTACT | PBS C5210R-EH | 1 | Ag Clad |

| | |
|-----------------------------|------|
| SCALE | N/A |
| DIMENSION | m m |
| DO NOT SCALE DRAWING | |
| TOLERANCES UNLESS OTHERWISE | |
| UP TO 10 | ±0.3 |
| ABOVE 10 TO 100 | ±0.5 |
| ABOVE 100 | ±0.8 |
| ANGULAR DIMENSIONS | ±5° |

RoHS Compliant

APPD. 核准 HELEN
 DWG. 製圖 ABBY
 DATE 制表日 2013/04/09

HSM 玄茂科技股份有限公司
HSUAN MAO TECHNOLOGY CO., LTD.

TOLERANCE 容許公差
 .0 ±
 .00 ±
 ANG ±
 SCALE 比例 參考
 UNIT 單位 M M
 PAGE 張數 1 OF 1
 REV. 版次 A

PART NAME 品名
 TACT SWITCH SMT TYPE PORD. SIZE:6X6mm
 KNOB:SQUARE TYPE
 KONB HEIGHT : 7.3mm PITCH:10mm
 OPERATING FORCE:160g BLACK COLOR ROHS
 PART NO.
 料號 C8705-FCBBX000R