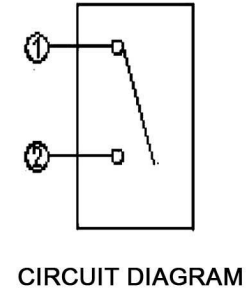
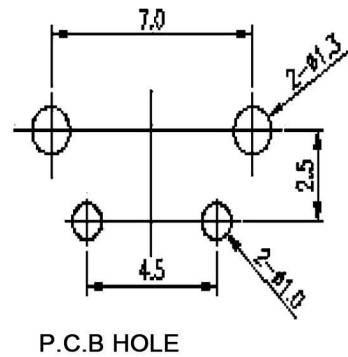


- H Option:
- A:4.3
 - B:5.0
 - U:6.0
 - C:7.0
 - L:7.5
 - D:8.0
 - S:9.0
 - E:9.5



RATING: DC12V 50mA
 WITHSTAND VOLTAGE: AC250V(50Hz)/min
 CONTACT RESISTANCE: ≤30mΩ
 INSULATION RESISTANCE: ≥100MΩ
 TRAVEL : 0.25±0.1mm
 OPERATION FORCE: 160gf±50gf 250gf±50gf
 LIFE TEST: 100,000 cycles

6				
5	HOUSING	PA66	1	BLACK
4	CONTACT	PBS	1	
3	COVER	SPCC	1	Ni-PLATED
2	TERMINAL	BRASS	2	Ag-PLATED
1	KNOB	PA66	1	BLACK
NO.	DESCRIPTION	MATERIAL	QTY.	PLATED

RoHS Compliant	玄茂科技股份有限公司 HSUAN MAO TECHNOLOGY CO., LTD.		
	APPD. 核准 Betty	 SCALE 比例 参考	TOLERANCE 容許公差 .0 ± 0.30 .00 ± 0.20 ANG. ± 3°
DWG. 製圖 Betty	UNIT 單位 MM	SIZE. 紙張尺寸 A 4	PART NO. 料號 C8721-XXBB0000R
DATE 制表日 2013/10/24	PAGE 張數 1 OF 1	REV. 版次 A	