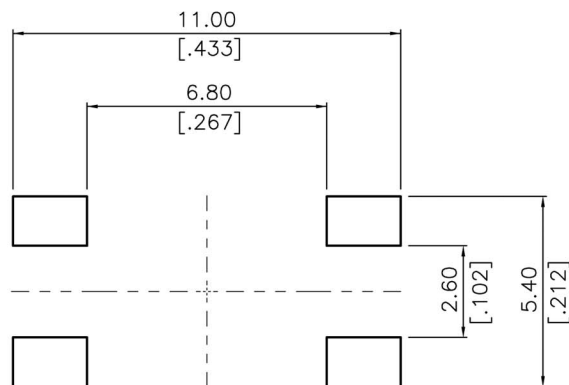
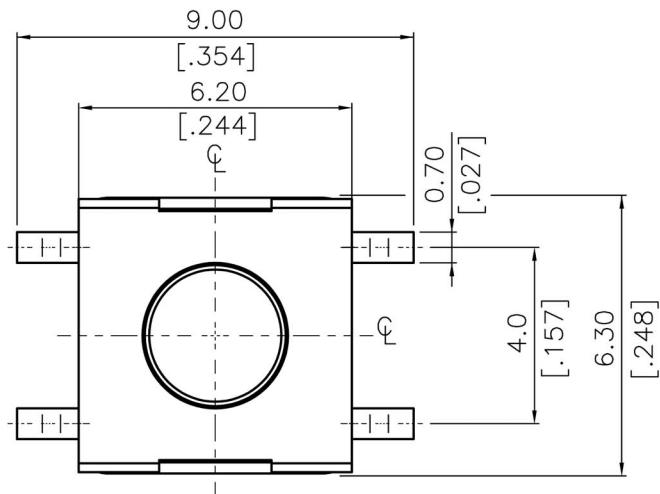


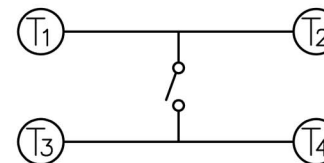
**NOTE:**

1. ALL DIMENSIONS ARE IN MILLIMETERS, BRACKETED DIMENSIONS ARE IN INCHES.
2. GENERAL TOLERANCES MAX.±0.20mm.

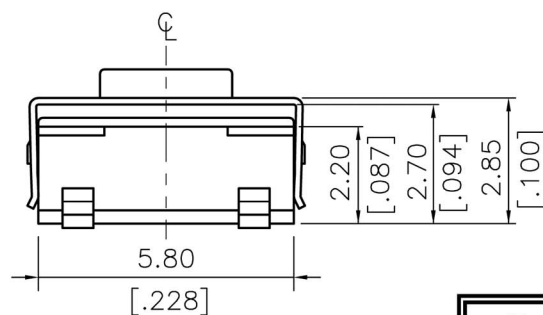
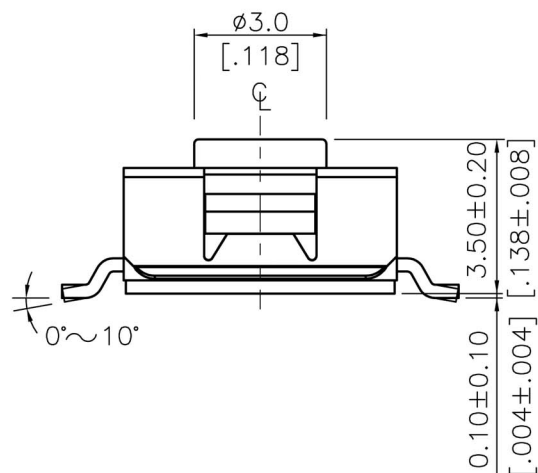
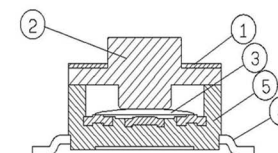


(SCALE 8:1)

**P.C.B. LAYOUT**



**CIRCUIT DIAGRAM**



ITEM	DESC.	Q'TY	MATERIALS	TREATMENT
1.	COVER	1	STAINLESS STEEL	NONE
2.	SEALED RUBBER	1	SILICONE RUBBER	NONE
3.	CONTACT	1	STAINLESS STEEL	WITH SILVER CLADDING
4.	TERMINAL	1	BRASS	WITH SILVER PLATING
5.	BASE	1	HIGH - TEMP THERMOPLASTIC NYLON UL 94V-0	MOLDED BLACK

<b>RoHS Compliant</b>	<b>HSM 玄茂科技股份有限公司</b> <b>HSUAN MAO TECHNOLOGY CO., LTD.</b>	
	APPD. 核准 DWG. 製圖 DATE 制表日 2019/01/28	Hedy 2019/01/28
PART NAME 品名 6.2X6.3mm WASHABLE TYPE TACT SWITCH SMT TYPE KONB HEIGHT:3.5mm OPERATING FORCE:XXXgf ROHS		PART NO. 料號 C8723-BXXX0000R