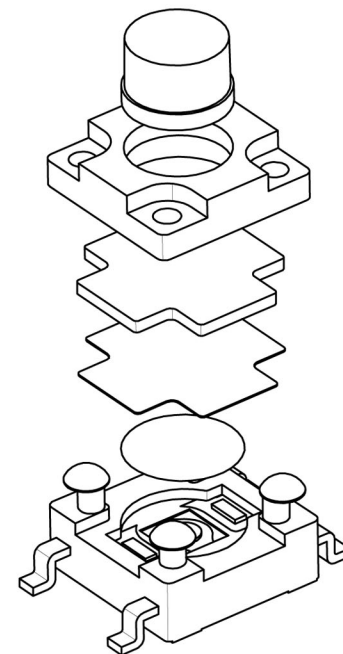
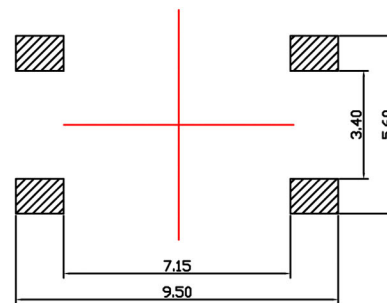
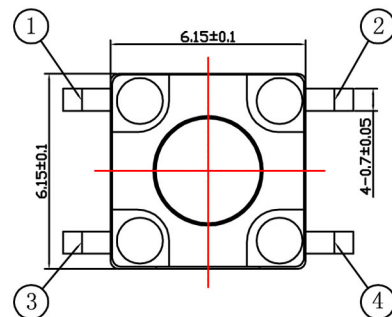
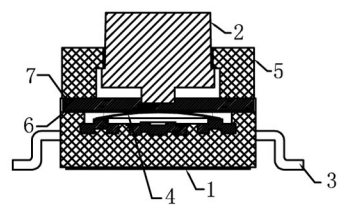
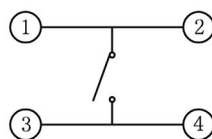


TYPE	H	H	TYPE
A	4.3	5.0	B
K	6.0	7.0	C
N	7.5	8.0	D
S	9.0	9.5	E
W	10	11	Y
Z	12	...	



1. Rating : 50mA DC12V
2. Contact Resistance:  $\leq 100m\Omega$
3. Operation Force :  $250 \pm 50gf$
4. Travel Toclosure :  $0.25 \pm 0.1mm$
5. Insulation Resistance:  $\geq 100M\Omega$
6. Withstand Voltage: 250V 50HZ 1Min.
7. Life Test: 100,000 Cycles



CIRCUIT DRAWING

1. Housing: PPA (Black)
2. Button: PPA (Black)
3. Contact: Brass (Plating Silver)
4. Shrapnel: Stainless Steel (Plating Silver)
5. Cover: PPA (Black)
6. Waterproof Layer: EP (Orange/Yellow)
7. Waterproof Glue: Silica Gel (Black)

<b>RoHS Compliant</b>		<b>HSM 玄茂科技股份有限公司</b> <b>HSUAN MAO TECHNOLOGY CO., LTD.</b>	
APPD. 核准 DWG. 製圖 Hedy	 SCALE 比例 參考 UNIT 單位 MM PAGE 張數 1 / 1	TOLERANCE >0.5-2 ±0.10 >2-5 ±0.25 >5-10 ±0.30 角度 ±0.5°	PART NAME 品名 6.0X6.0mm IP67 WASHABLE TYPE TACT SWITCH SMT TYPE KONB HEIGHT:XXXmm OPERATING FORCE:250gf BUTTON COLOR:BLACK COLOR BAG PACKING ROHS
DATE 制表日 2019/01/10	SIZE 紙張尺寸 A 4	REV. 版次 A	PART NO. 料號 C8725-XCBB0000R