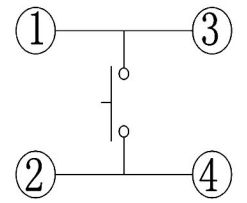
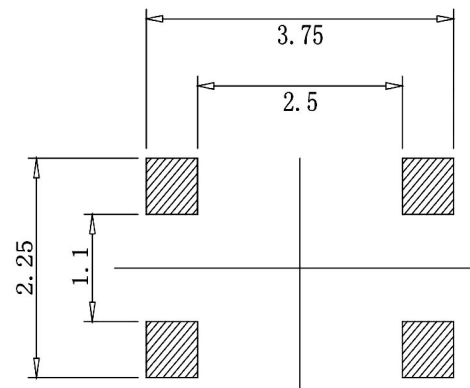


**SPECIFICATION**

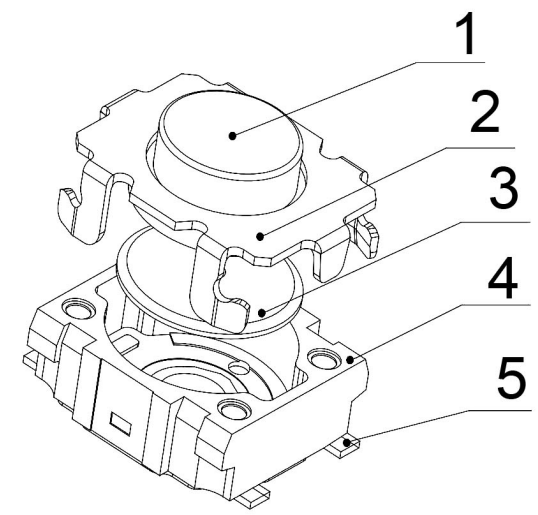
- 1. Rating: DC 12V 50mA Max
- 2. Contact resistance: 100mΩ MAX
- 3. Insulation resistance: 100MΩ Min
- 4. Dielectric strength: 250VAC/min
- 5. Operating force: 160gf±50gf
- 6. Operating life: 200,000 cycles



**CIRCUIT DIAGRAM**



**P. C. B LAND DIMENSION**



| 5      | TERMINAL(端子)     | 1       | C5191        | Ag plating |
|--------|------------------|---------|--------------|------------|
| 4      | HOUSING(基座)      | 1       | LCP          | —          |
| 3      | CONTACT FORM(弹片) | 2       | SUS          | Ag plating |
| 2      | COVER(盖板)        | 1       | SUS          |            |
| 1      | STEM(按钮)         | 1       | LCP          |            |
| NO(序号) | PART NAME(部件名)   | QTY(数量) | MATERIAL(材料) | REMARK(备注) |

|   |  |  |
|---|--|--|
| <b>RoHS</b><br>Compliant  | <b>玄茂科技股份有限公司</b><br><b>HSUAN MAO TECHNOLOGY CO., LTD.</b> |  |
|   | APPD. 核准<br>DWG. 製圖<br>DATE 制表日<br>2019/12/23              | SCALE 比例 參考<br>UNIT 單位 M M<br>PAGE 張數 1 OF 1 |
| PART NAME 品名<br>2.75X3.0mm TACT SWITCH SMT TYPE<br>H=1.4mm OPERATING FORCE:160gf<br>W/O GROUND PIN BUTTON COLOR:WHITE COLOR<br>MATERIAL:LCP REEL PACKING ROHS |  |  |
| PART NO.<br>料號 C8736-ABNWR000R  |  |  |