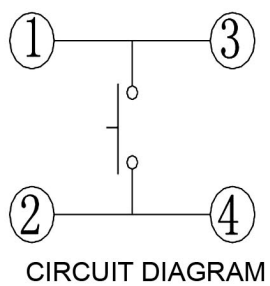
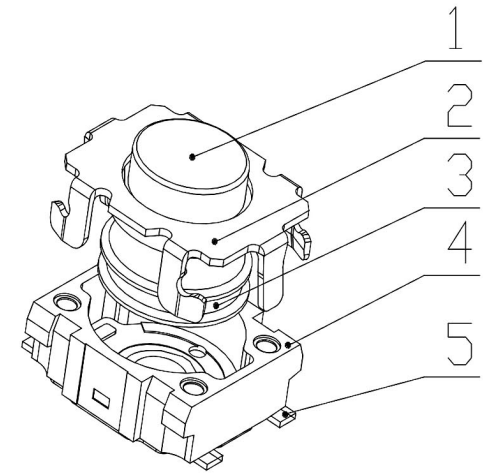


SPECIFICATION

- 1. Rating: DC 12V 50mA Max
- 2. Contact resistance: 100mΩ MAX
- 3. Insulation resistance: 100MΩ Min
- 4. Dielectric strength: 250VAC/min
- 5. Operating force: 160gf±50gf
- 6. Operating life: 200,000 cycles



P. C. B LAND DIMENSION



5	TERMINAL(端子)	1	C5191	Ag plating
4	HOUSING(基座)	1	LCP	—
3	CONTACT FORM(弹片)	1	SUS	Ag plating
2	COVER(盖板)	1	SUS	
1	STEM(按钮)	1	LCP	
NO(序号)	PART NAME(部件名)	QTY(数量)	MATERIAL(材料)	REMARK(备注)

RoHS Compliant		HSM 玄茂科技股份有限公司 HSUAN MAO TECHNOLOGY CO., LTD.	
APPD. 核准 DWG. 製圖 DATE 制表日 2019/12/23	SCALE 比例 参考 UNIT 單位 M M PAGE 張數 1 OF 1	UNSPECIFIED TOLERANCE 未指定的公差 ANGULAR(角度) ±0.5° 16 < L ≤ 63 ±0.4 4 < L ≤ 16 ±0.3 L ≤ 4 ±0.2 SIZE. 紙張尺寸 A 4 REV. 版次 A	PART NAME 品名 2.75X3.0mm TACT SWITCH SMT TYPE H=1.4mm OPERATING FORCE:160gf W/ GROUND PIN BUTTON COLOR:WHITE COLOR MATERIAL:LCP REEL PACKING ROHS PART NO. 料號 C8736-ABYWR000R