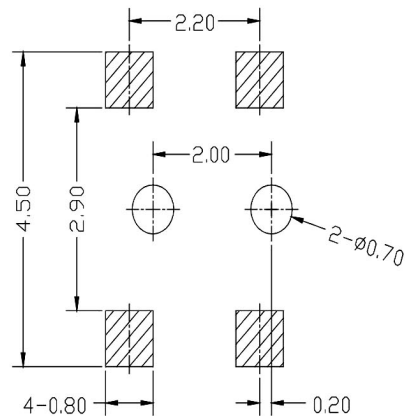
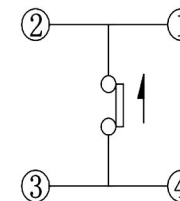


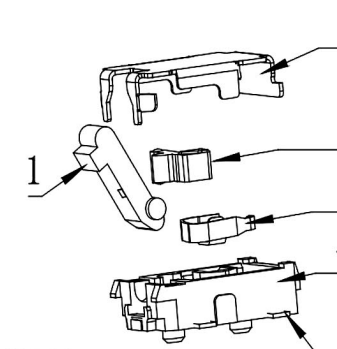
PCB WELDING DIMENSIONS



ELECTRICAL DIAGRAM



MATERIAL PORTFOLIO CHART



SPECIFICATION

1. Rating: 1mA 5V DC Max. 1µA 3V DC Min
2. Contact resistance: 3Ω MAX
3. Insulation resistance: 100MΩ Min. 100V DC
4. Dielectric strength: 100V AC/min
5. Operating force: 35gf Max
6. Operating life: 50,000 cycles
7. OPERATING TEMP: -40°C to +85°C

6	SPACER(垫片)	1	PA46	
5	TERMINAL(端子)	1	PHOSPHOR	Ag plating
4	HOUSING(基座)	1	LCP	
3	CONTACT FORM(弹片)	1	PHOSPHOR	Ag plating
2	COVER(盖板)	1	SUS	
1	STEM(按钮)	1	PA46	
NO(序号)	PART NAME(部件名)	QTY(数量)	MATERIAL(材料)	REMARK(备注)

RoHS Compliant		HSM 玄茂科技股份有限公司 HSUAN MAO TECHNOLOGY CO., LTD.	
APPD. 核准		UNSPECIFIED TOLERANCE 未指定的公差	PART NAME 品名
DWG. 製圖	Betty	ANGULAR(角度) ±10°	3.65mm X 4.3mm Detector Switch SMT Type
DATE 制表日	2019/12/23	SCALE 比例 參考	H=1.2mm Operating Force: 35gf With Locating Peg
		UNIT 單位 M M	Normal Close Type Silver Plating Reel Packing
		PAGE 張數 1 OF 1	ROHS
		REV. 版次 A	PART NO. 料號 C8737-AYHCVR00R