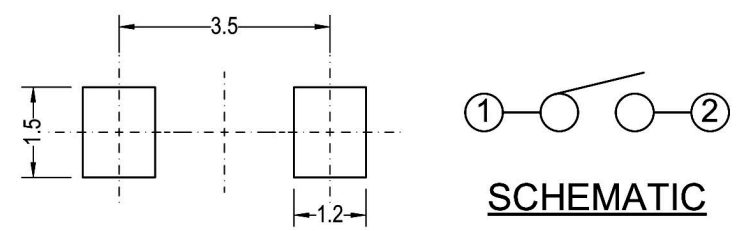
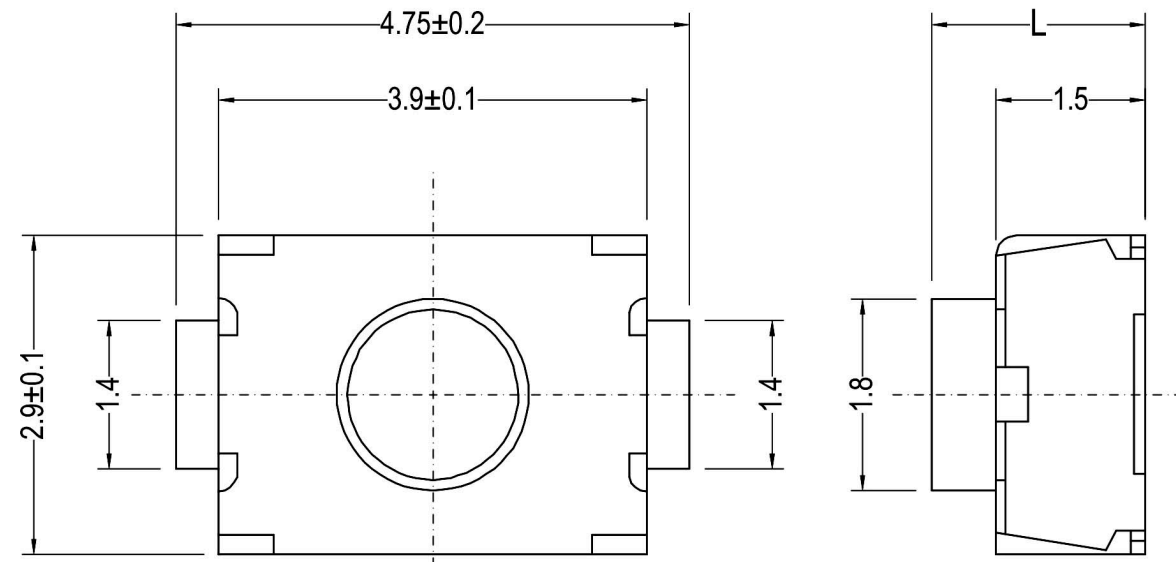
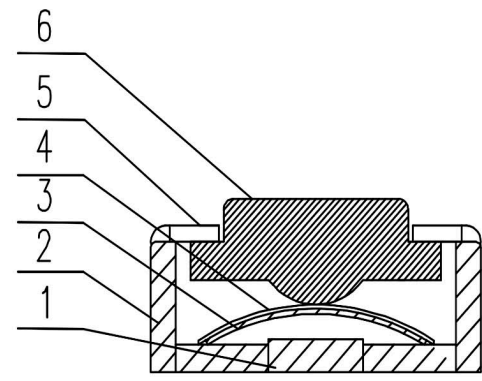


General specifications	
Circuit	: PUSH ON
Rating	: D.C. 12V 50mA
Contact R.[max]	: 100mΩ (initial)
Insulation R.[min]	: D.C. 500V 100MΩ
Withstand VOL.	: A.C. 250V 1minute
Life Cycles[min]	: 50,000 Cycles

KNOB(L)
2.0 mm
2.5 mm

**MATERIAL SPECIFICATIONS**

ITEM	PART NAME	MATERIAL	QTY	FINISH
1	TERMINAL	Brass	1	Silver Plating
2	CASE	LCP	1	White
3	CONTACT	SUS	1	Contact Side Silver Plating
4	Damp Proof Tape	PB	1	
5	COVER	SUS	1	
6	STEM	LCP	1	Black



**PCB LAYOUT**

**SCHEMATIC**

<p>RoHS Compliant</p>		<p><b>HSM</b> 玄茂科技股份有限公司 HSUAN MAO TECHNOLOGY CO., LTD.</p>	
<p>APPD. 核准</p>	<p>SCALE 比例 参考</p>	<p>DO NOT SCALE DRAWING TOLERANCES UNLESS OTHERWISE</p> <p>UP TO 10 ±0.3 ABOVE 10 TO 100 ±0.5 ABOVE 100 ±0.8 ANGULAR DIMENSIONS ±5°</p>	<p>PART NAME 品名</p> <p>3.0mm X 3.9mm TACT SWITCH SMT TYPE</p>
<p>DWG. 製圖</p> <p>Betty</p>	<p>UNIT 單位</p> <p>MM</p>	<p>SIZE 紙張尺寸</p> <p>A 4</p>	<p>KONB HEIGHT : 2.0mm OPERATING FORCE:250gf</p> <p>WITHOUT LOCATING PEG</p> <p>BUTTON COLOR:BLACK COLOR ROHS</p>
<p>DATE 制表日</p> <p>2020/09/30</p>	<p>PAGE 張數</p> <p>1 OF 1</p>	<p>REV. 版次</p> <p>A</p>	<p>PART NO. 料號</p> <p>C8739-BCNBX000R</p>