

1 2 3 4 5 6 7 8

A

B

C

D

E

F

G

H

A

B

C

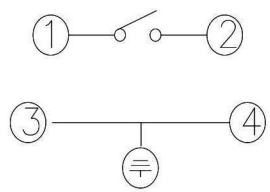
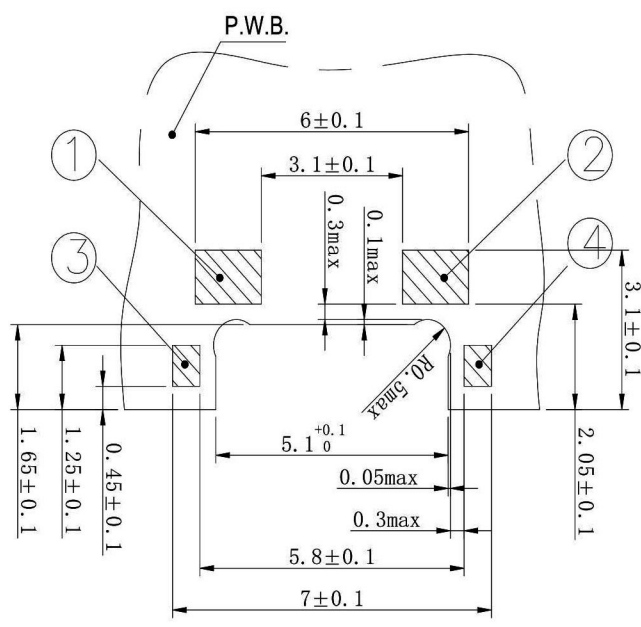
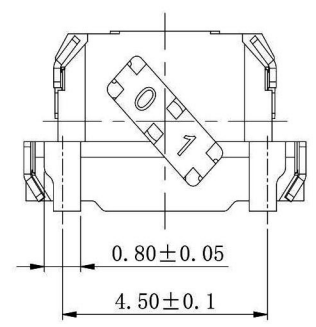
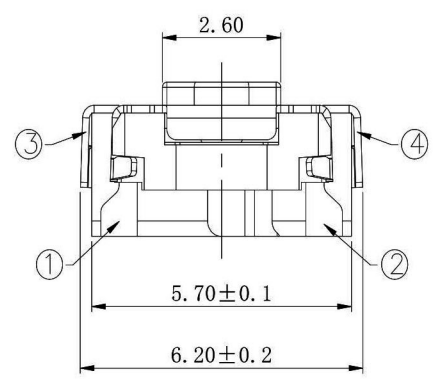
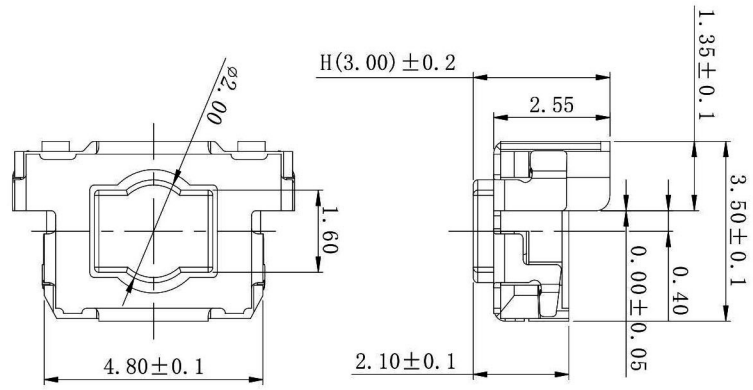
D

E

F

G

H

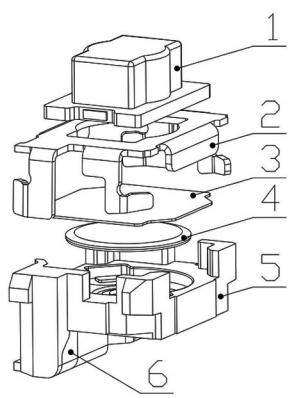


CIRCUIT DIAGRAM

P.C.B LAND DIMENSION

SPECIFICATION

1. Rating: DC15V 20mA Max
2. Contact resistance: 100mΩ MAX
3. Insulation resistance: 100MΩ Min
4. Dielectric strength: 250VAC/min
5. Operating force: 180gf±50gf
6. Operating life: 10X10<sup>5</sup> cycles



NO.	PART NAME	Q'TY	MATERIAL	REMARK
1	STEM	1	LCP	White
2	COVER	1	SUS	
3	GLUE	1	PI	
4	CONTACT	2	SUS	
5	BASE	1	LCP	
6	TERMINAL	1	PHOSPHOR COPPER	

**RoHS Compliant**

**HSM 玄茂科技股份有限公司**  
**HSUAN MAO TECHNOLOGY CO., LTD.**

APPD. 核准  
 DWG. 製圖 Hedy  
 DATE 制表日 2023/01/13

SCALE 比例 參考  
 UNIT 單位 MM  
 PAGE 張數 1 / 1

TOLERANCE 容許公差  
 ANGLAR(角度) ±0.5°  
 16 < L ≤ 63 ±0.4  
 4 < L ≤ 16 ±0.3  
 2 < L ≤ 4 ±0.2

SIZE. 紙張尺寸 A4  
 REV. 版次 A

PART NAME 品名  
 3.5MM X 6.2MM TACT SWITCH SIDE PUSH TYPE  
 KNOB HEIGHT:3.0mm OPERATING FORCE:180gf  
 BUTTON COLOR:WHITE COLOR  
 REEL PACKING ROHS

PART NO.  
 料號 C8746-HEWR0000R

1 2 3 4 5 6 7 8