

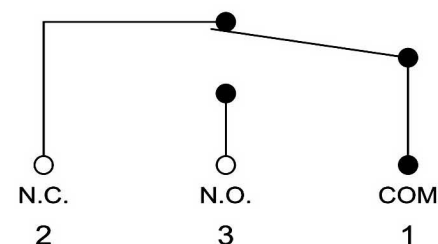
MATERIAL SPECIFICATIONS:

NO.	PART NAME	MATERIAL	FINISHING
A	KNOB	POM	Black
B	COVER	ABS	Black
C	INSERT CASE	PBT	Black
D	TERMINAL	Brass Strip	Ag Plated Over Ni Plated
E	SLIDER	POM	Black
F	CONTACT(CLIP)	PBS C5210R-EH	Ag Clad
G	SPRING	Steel Wire	Temper

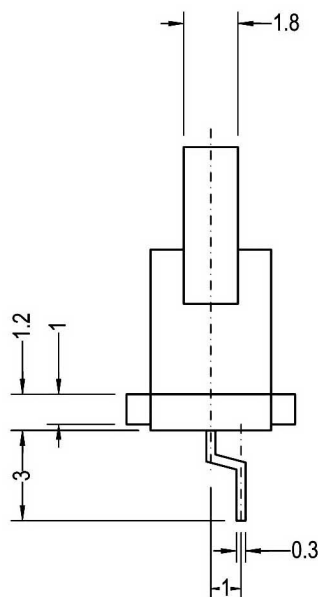
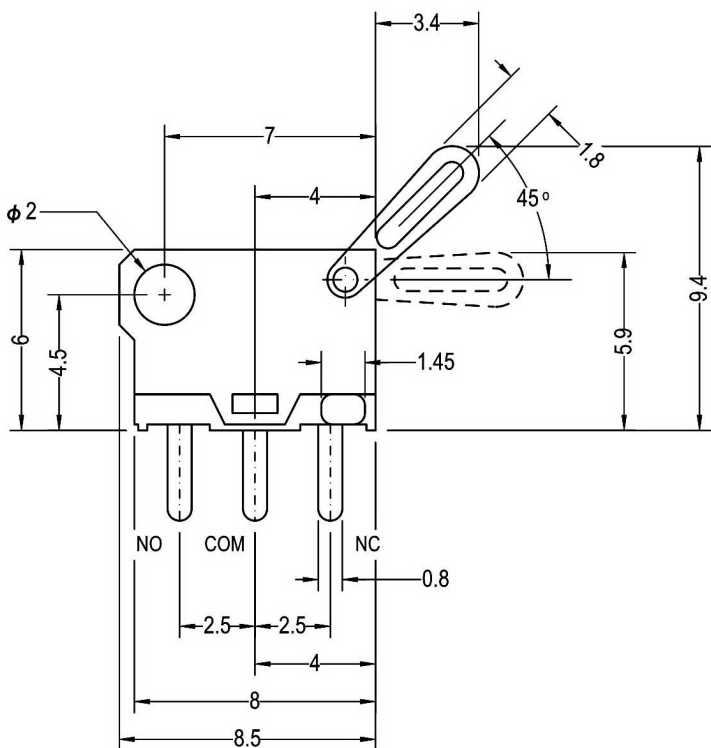
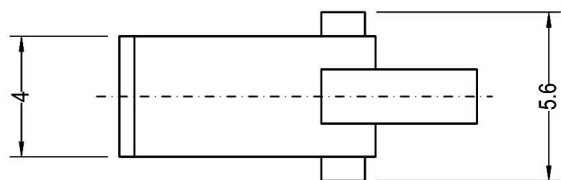
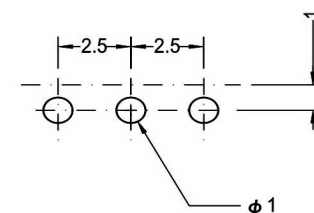
General specifications

Circuit	: ON-ON(1P2T)
Rating	: D.C. 50V 0.3A
Contact R.[max]	: 50m Ω (initial)
Insulation R.[min]	: D.C. 500V 100M Ω
Withstand VOL.	: A.C. 500V 1minute
Operating force	: 50 ± 20g
Life cycle[max]	: 100,000 CYCLES

SCHEMATIC



P.C.B. HOLE DETAIL



APPD. 核准 Betty	SCALE 比例 参考	DO NOT SCALE DRAWING TOLERANCES UNLESS OTHERWISE UP TO 10 ±0.3 ABOVE 10 TO 100 ±0.5 ABOVE 100 ±0.8 ANGULAR DIMENSIONS ±5°	PART NAME 品名 2.5mm MICRO SWITCH 3PIN STRAIGHT TYPE
			OPERATING FORCE:50gf ROHS
DATE 制表日 2018/08/22	UNIT 單位 MM	SIZE 紙張尺寸 A 4	PART NO. 料號 C8803-ASA00000R
PAGE 張數 1 OF 1	REV. 版次 A		

玄茂科技股份有限公司
 HSIUAN MAO TECHNOLOGY CO., LTD.