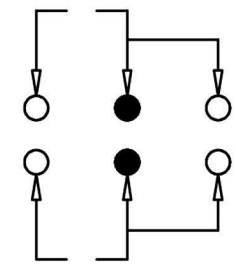
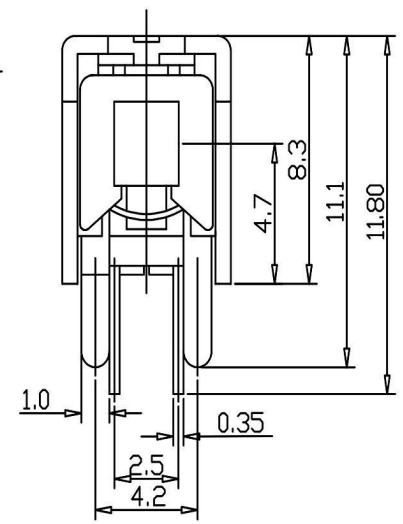
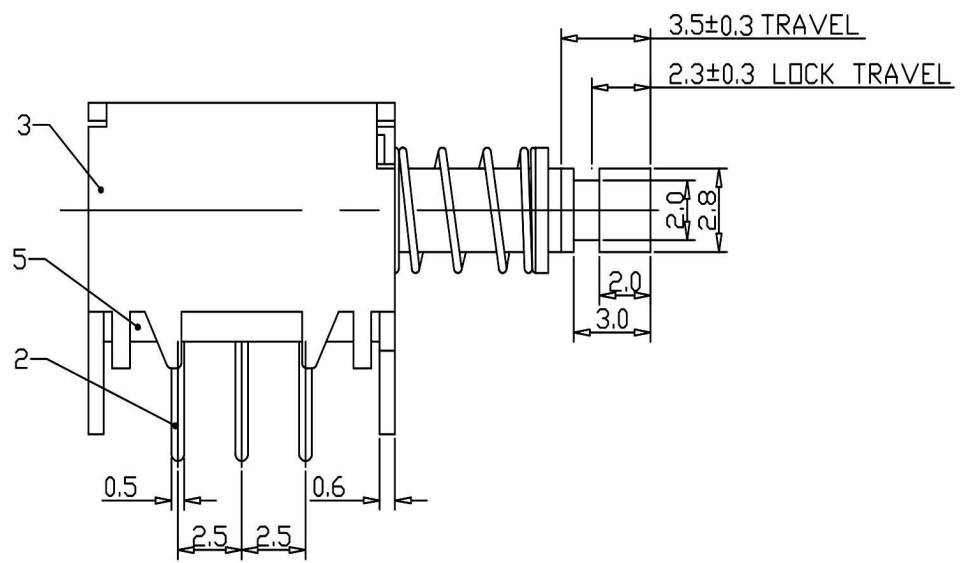


P, C, B LAYOUT

Rating: 0.3A 50V DC  
 Function: 2P2T  
 Timing: NON-SHORTING  
 Contact Resistance(mohms): 30MΩ MAX  
 Insulation Resistance(Mohms): 100MΩ MIN AT 500V DC  
 Dielectric Strength(V): AC 500V FOR 1 MIN  
 LifeTest: 10000 Cycles  
 Operating Force: 400±100gf



SCHMATIC

9	SPRING PLATE	PBS STRIP	1	WASHING
8	BLOCK	STEEL STRIP	1	Ni PLATED
7	LOCK PLATE	PBS WIRE	1	WASHING
6	SPRING	SUS	1	NATURE
5	BOARD	PHENOLIC RESIN	1	NATURE
4	CONTACT CLIP	PBS STRIP	2	Ag CLAD
3	FRAME	STEEL STRIP	1	Ni PLATED
2	TERMINAL	BRASS STRIP	6	Ag PLATED
1	KNOB	PBT	1	YELLOW
NO.	PART NAME	MATERIAL	QTY.	FINISHING

RoHS Compliant		HSM 玄茂科技股份有限公司 HSUAN MAO TECHNOLOGY CO., LTD.	
APPD. 核准	SCALE 比例 参考	TOLERANCE 公差 (≤ 5mm ±0.1 > 5mm ±0.2)	ANGLE TOL 角度公差 ±2°
DWG. 製圖 Betty	UNIT 單位 M M	SIZE. 紙張尺寸 A 4	PART NAME 品名 2.5mm Push Switch 2X3PIN Self-Locking Type Circuit:2P2T Rated:0.3A DC50V Operating Force:400±100gf Knob Color:Yellow Color Terminal:Silver Plating ROHS
DATE 製表日 2019/07/30	PAGE 張數 1 OF 1	REV. 版次 A	PART NO. 料號 C8871-06LDAGVYR