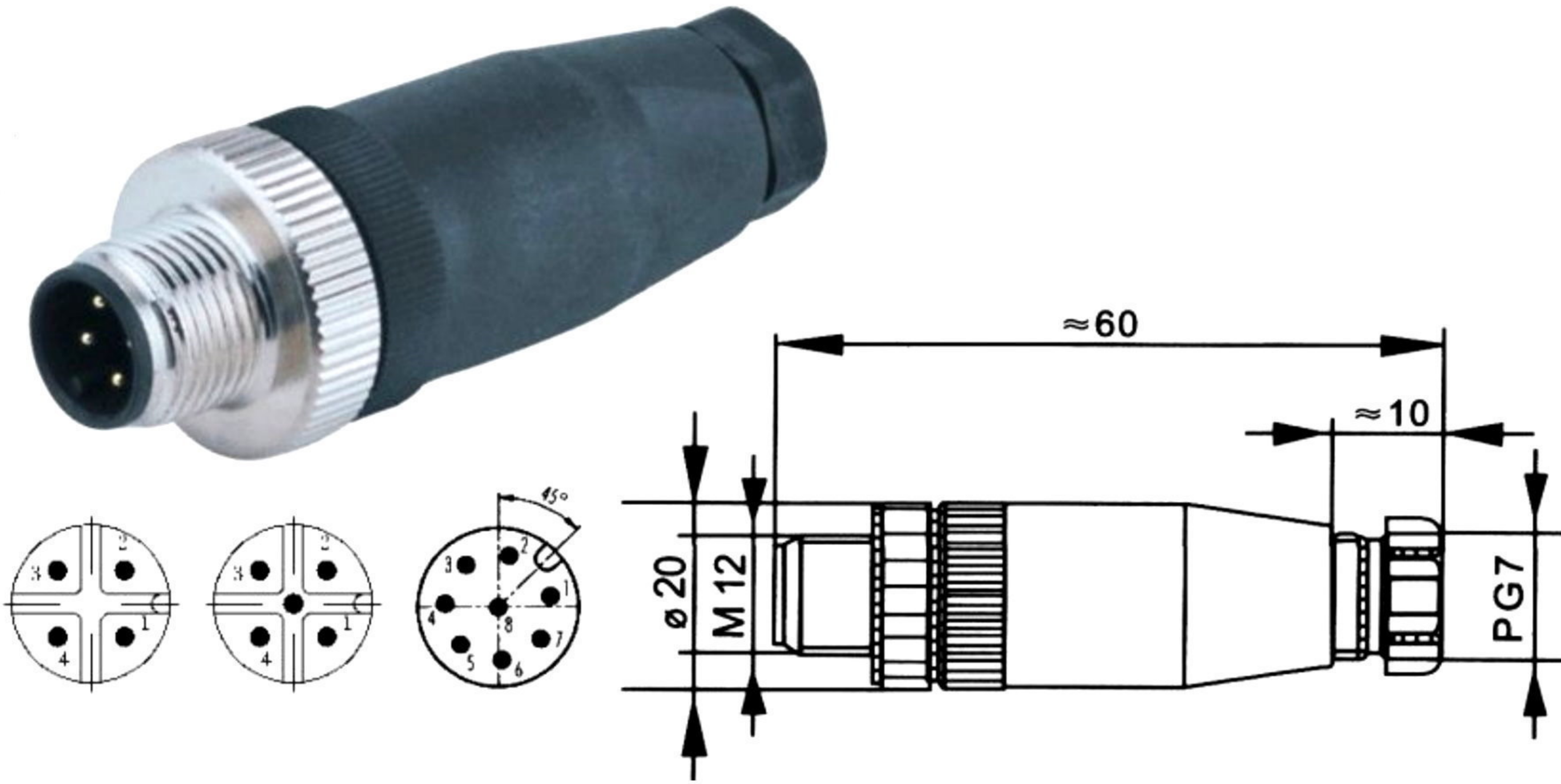


M12 STRAIGHT TYPE MALE(A-TYPE)



Number of contacts	4	5	8
Locking s/stem	M12 × 1/screw M12 × 1		
Termination	screw		
Wire gauge in mm ²	Max.0.75mm ²		
Cable outlet(mm)	4-7MM , 4-6MM		
Shell protection	IP67		
Mechanical operation	00 Steckzyklen/>100 Steckzyklen		
Upper temperature	+85℃		
Lowertemperature	-25℃		
Rated voltage	250V	60V	30V
Rated imoulse vottage	2500V	1500V	800V
Pollution degree	3		
Overvoltage categorie	II		
Material group	III		
Rated current(40℃)	4A	2A	
Contact resistance	≤3Ω		
Pin contact	CuZn(Messing/brass)		
Contact plating	Au(Gole/gold)		
Male insert	PA(UL94HB)		
Housing canle connector	PA		

Contacts	Cable outlet(mm)
4	4-7
5	4-7
8	4-6

RoHS Compliant

HSM 玄茂科技股份有限公司

HSUAN MAO TECHNOLOGY CO., LTD.

APPD. 核准 HELEN		TOLERANCE 容許公差 .0 ± .00 ± ANG. ±	PART NAME 品名 IP67 WATERPROOF CONNECTOR-M12 LOCKING TYPE:FIX SCREW STRAIGHT TYPE 8PIN MALE A-CODE GOLD FLASH PLATING MOUNTING THREAD:PG7 CABLE OUTLET:4.0~6.0MM BLACK COLOR ROHS
DWG. 製圖 ABBY	SCALE 比例 參考	UNIT 單位 MM	SIZE. 紙張尺寸 A 4
DATE 制表日 2023/09/01	PAGE 張數 1 OF 1	REV. 版次 A	PART NO. 料號 C9309-08MG71SB0R

A
B
C
D
E
F
G
H

A
B
C
D
E
F
G
H

1 2 3 4 5 6 7 8