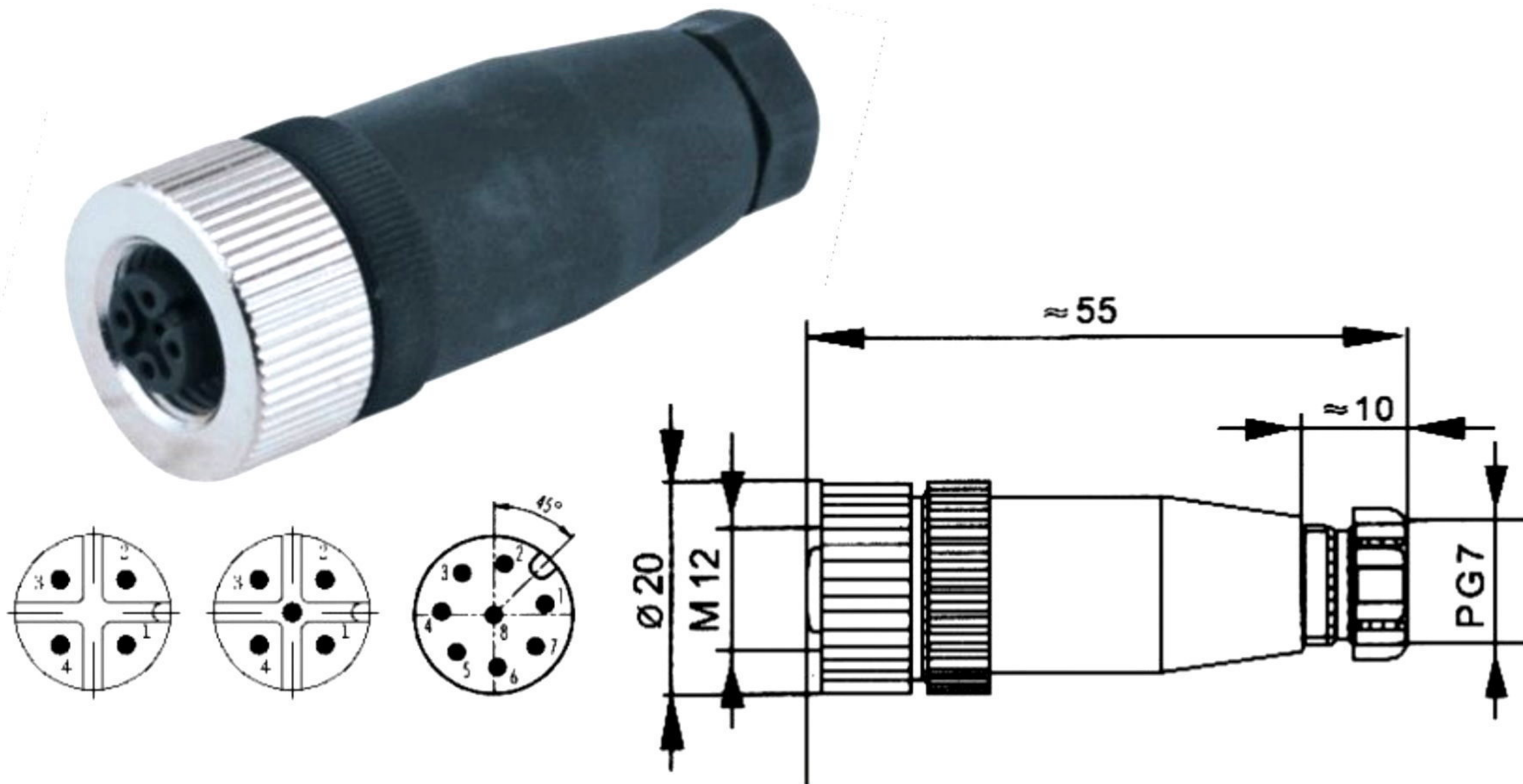


M12 STRAIGHT TYPE FEMALE(A-TYPE)



Number of contacts	4	5	8
Locking s/stem	M12 × 1/screw M12 × 1		
Termination	screw		
Wire gauge in mm ²	Max.0.75mm ²		
Cable outlet(mm)	4-7MM , 4-6MM		
Shell protection	IP67		
Mechanical operation	00 Steckzyklen/>100 Steckzyklen		
Upper temperature	+85℃		
Lowertemperature	-25℃		
Rated voltage	250V	60V	30V
Rated imoulse vottage	2500V	1500V	800V
Pollution degree	3		
Overvoltage categorie	II		
Material group	III		
Rated current(40℃)	4A	2A	
Contact resistance	≤3Ω		
Pin contact	CuZn(Messing/brass)		
Contact plating	Au(Gole/gold)		
Male insert	PA(UL94HB)		
Housing canle connector	PA		

Contacts	Cable outlet(mm)
4	4-7
5	4-7
8	4-6

APPD. 核准 HELEN DWG. 製圖 ABBY DATE 制表日 2023/09/01	TOLERANCE 容許公差 SCALE 比例 參考 UNIT 單位 MM PAGE 張數 1 OF 1	HSM 玄茂科技股份有限公司 HSUAN MAO TECHNOLOGY CO., LTD. PART NAME 品名 IP67 WATERPROOF CONNECTOR-M12 LOCKING TYPE:FIX SCREW STRAIGHT TYPE 8PIN FEMALE A-CODE GOLD FLASH PLATING MOUNTING THREAD:PG7 CABLE OUTLET:4.0~6.0MM BLACK COLOR ROHS