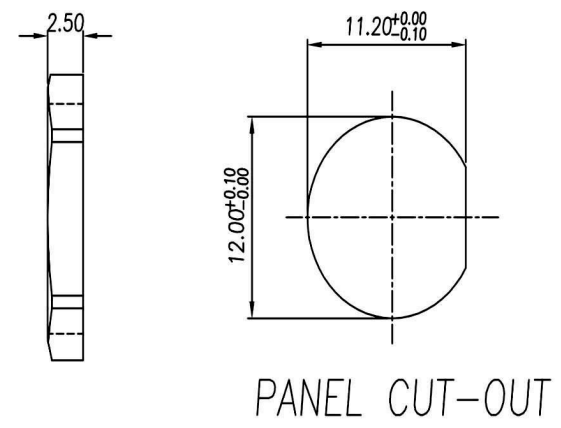
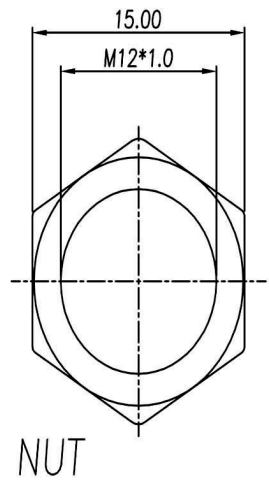


1. MATERIAL :
- 1-1. HOUSING : PBT UL94V-0 ; COLOR : BLACK
 - 1-2. CONTACT : PHOSPHOR BRONZE
 - 1-3. NUT : BRASS
 - 1-4. SHELL : BRASS
 - 1-5. O-RING-A : NBR ; COLOR : BLACK
 - 1-6. O-RING-B : EPDM ; COLOR : BLACK
2. FINISH :
- 2-1. CONTACT : SEE TABLE A
UNDER PLATE : NICKEL
 - 2-2. NUT : NICKEL PLATED
 - 2-3. SHELL : NICKEL PLATED
3. ELECTRICAL SPECIFICATION :
- 3-1. Rated current : 4A
 - 3-2. Rated Voltage : 60V
 - 3-3. Water proof : IP67
4. Environmental :
- 4-1. Operation Temperature : -20℃~85℃

TABLE A/表A

2P	3P	4P
C9324-04FCGB00R	GOLD FLASH PLATED	
C9324-04FCBB00R	10u" GOLD PLATED	
C9324-03FCGB00R	GOLD FLASH PLATED	
C9324-03FCBB00R	10u" GOLD PLATED	
C9324-02FCBB00R	10u" GOLD PLATED	
PART NO	FINISH	



RoHS Compliant	HSM 玄茂科技股份有限公司 HSUAN MAO TECHNOLOGY CO., LTD.	
APPD. 核准 BETTY		TOLERANCE .x ±0.20 .xx ±0.10 .xxx ±0.05 .xxxx ±0.03 ANGULA ±1°
DWG. 製圖 ABBY	SCALE 比例 參考	SIZE. 紙張尺寸 A4
DATE 製表日 2022/10/07	UNIT 單位 MM	REV. 版次 B
	PAGE 張數 1 OF 1	PART NAME 品名 M8 XXPIN MALE 180° SOLDER TYPE IP67 WATERPROOF TYPE FRONT LOCK M12*1.0mm BLACK COLOR ROHS
		PART NO. 料號 C9324-XXFCXB00R