

1 2 3 4 5 6 7 8

A
B
C
D
E
F
G
H

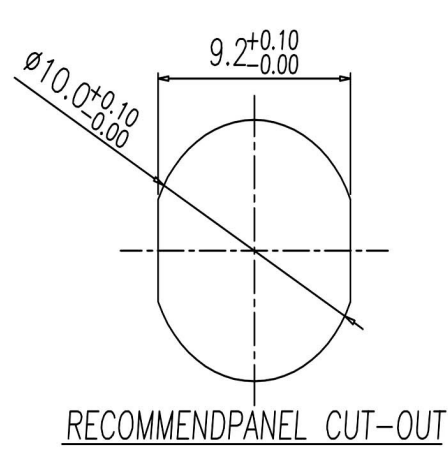
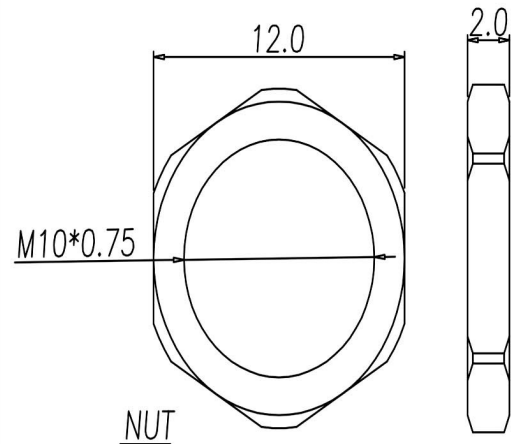
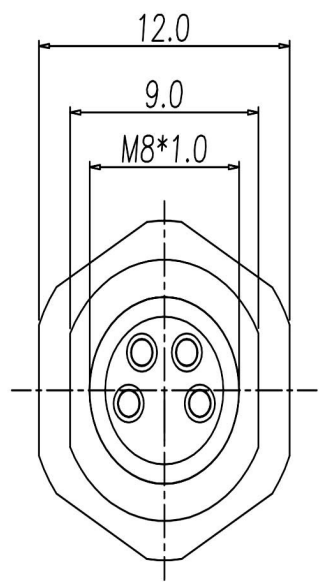
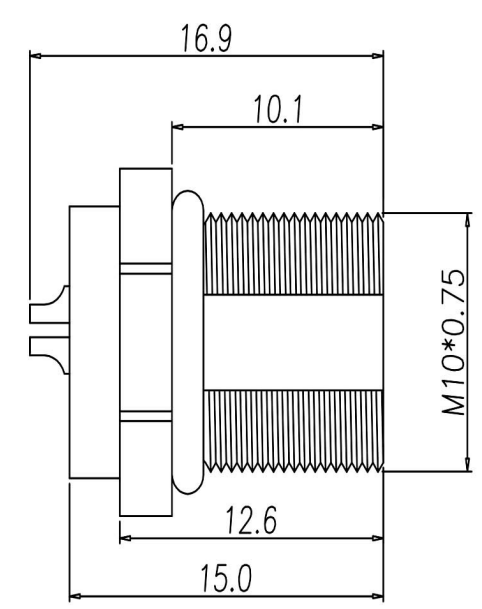
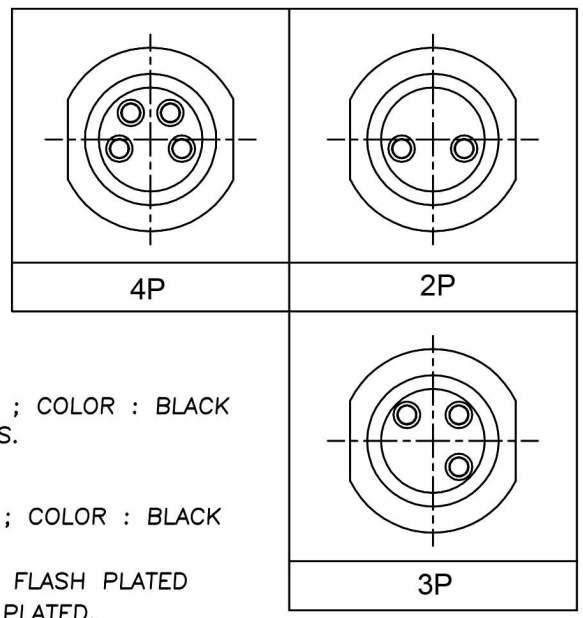


TABLE A



NOTE:

1. MATERIAL :
 - 1-1. HOUSING : PA66 ; COLOR : BLACK
 - 1-2. CONTACT : BRASS.
 - 1-3. SHELL : BRASS.
 - 1-4. NUT : BRASS.
 - 1-5. O-RING : EPDM ; COLOR : BLACK
2. FINISH :
 - 2-1. CONTACT : GOLD FLASH PLATED
 - 2-2. SHELL : NICKEL PLATED.
 - 2-3. NUT : NICKEL PLATED.
3. ELECTRICAL SPECIFICATION :
 - 3-1. Rated current : 4A
 - 3-2. Rated Voltage : 60V
 - 3-3. Water proof : IP67
 - 3-4. INSULATION RESISTANCE : 1000MΩ MIN
 - 3-5. DIELECTRIC WITHSTANDING VOLTAGE : 800V
 - 3-6. CONTACT RESISTANCE : < 10mΩ
4. Environmental :
 - 4-1. Operation Temperature : -40℃~105℃

RoHS Compliant		HSM 玄茂科技股份有限公司 HSUAN MAO TECHNOLOGY CO., LTD.	
APPD. 核准		TOLERANCE .x ±0.20 .xx ±0.10 .xxx ±0.05 .xxxx ±0.03 ANGULA ±1°	PART NAME 品名 M8 TYPE XXPIN FEMALE 180° SOLDER TYPE IP67 WATERPROOF TYPE FRONT LOCK M10*0.75mm GOLD FLASH PLATING BLACK COLOR ROHS
DWG. 製圖	Betty	SCALE 比例 參考	PART NO. 料號 C9325-XXFDGB00R
DATE 制表日	2020/04/20	UNIT 單位 MM PAGE 張數 1 OF 1	

1 2 3 4 5 6 7 8