

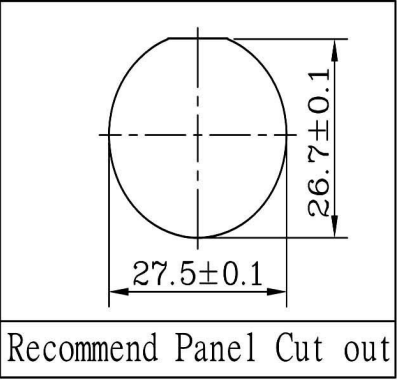
PIN DEFINITION

RJ45	RJ45	PCB
10P	8P	
1		1
2	1	2
3	2	3
4	3	4
5	4	5
6	5	6
7	6	7
8	7	8
9	8	9
10		10
NC	NC	11
Shield	Shield	12

Note:
Waterproof rate: IP68
UV Resist

For Panel Thickness Max 5.0mm

8	ROPE	EPDM Black
7	DUST COVER	EPDM Black
6	NUT	Nylon+GF Black -40~+105°C
5	GASKET	EPDM Black
4	EPOXY	Black
3	PCB	FR-4
2	RJ45 JACK	Shielded Jack 8Pin or 10Pin
1	HOUSING	Nylon+GF Black-40~+105°C
NO	PART NAME	INFORMATION



RoHS Compliant
HSM 玄茂科技股份有限公司
HSUAN MAO TECHNOLOGY CO., LTD.

APPD. 核准	 SCALE 比例 参考	TOLERANCE 容許公差	PART NAME 品名 WATERPROOF TYPE IP68 TYPE RJ45 10PXXC MODULAR JACK GOLD 6U" PLATING TO P.C BOARD INNER TYPE WITH DUST COVER BLACK COLOR ROHS
DWG. 製圖		.0 ± 0.30 .00 ± 0.20 ANG. ± 3°	
DATE 制表日	UNIT 單位	SIZE. 紙張尺寸	PART NO. 料號 C9400-0XKIB000R
2020/01/20	PAGE 張數	REV. 版次	
	Betty	M M	A 4
		1 OF 1	A