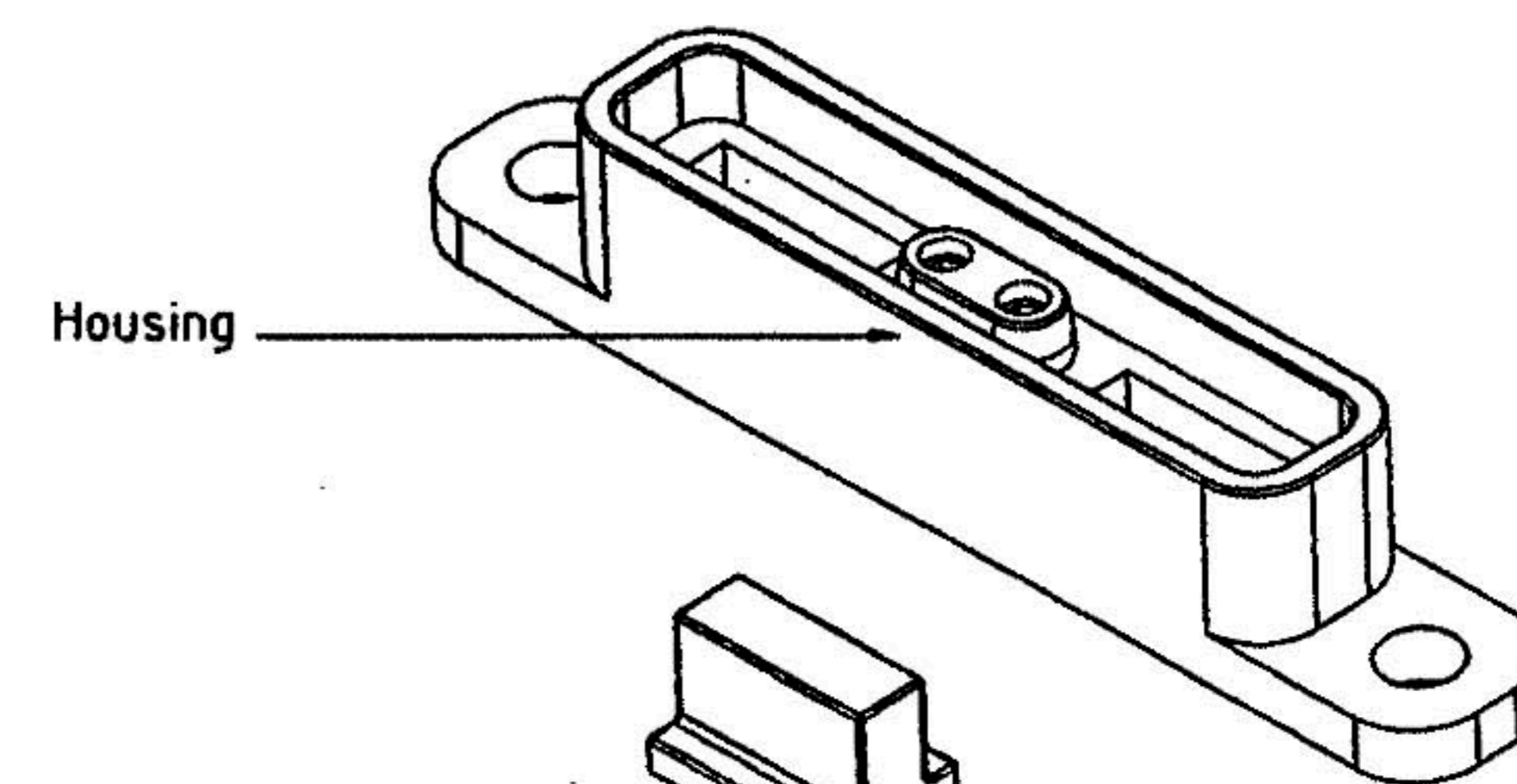
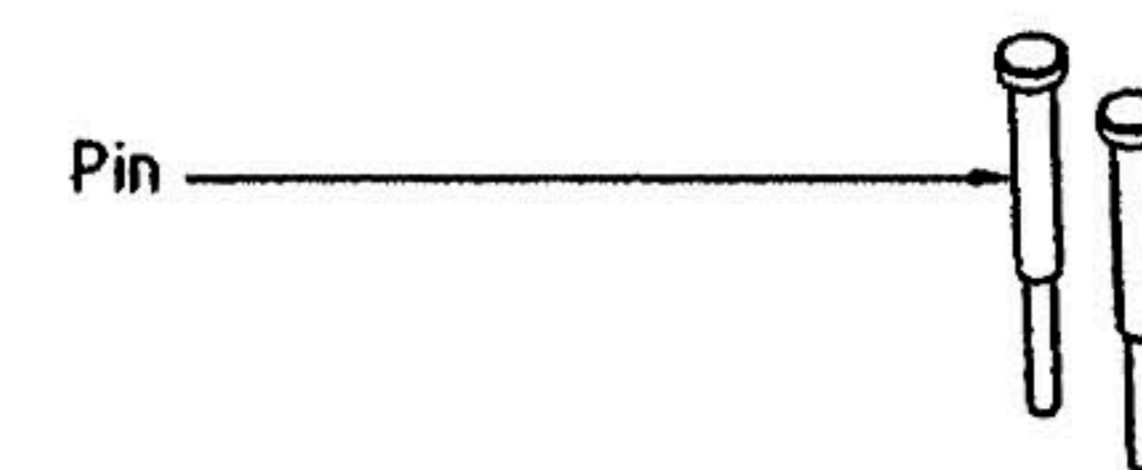
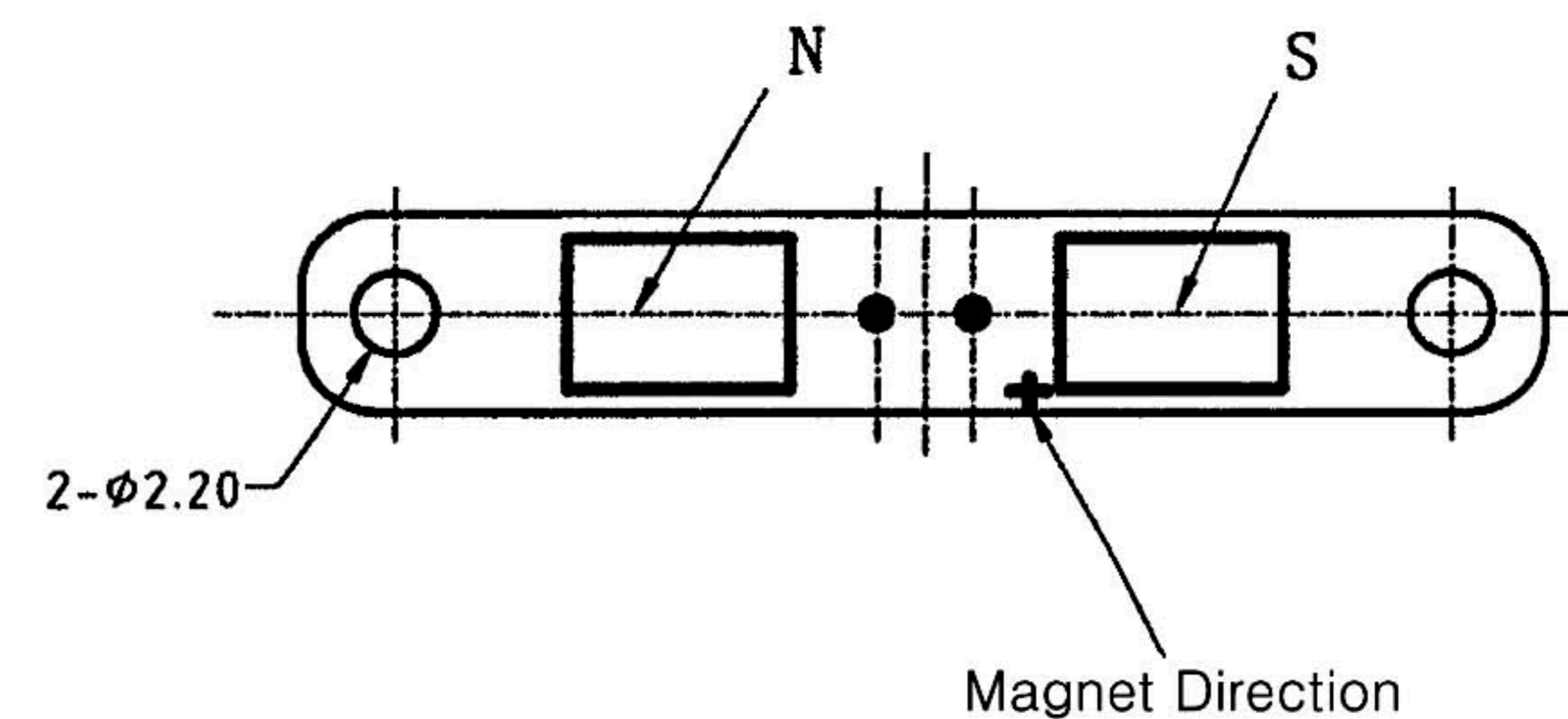
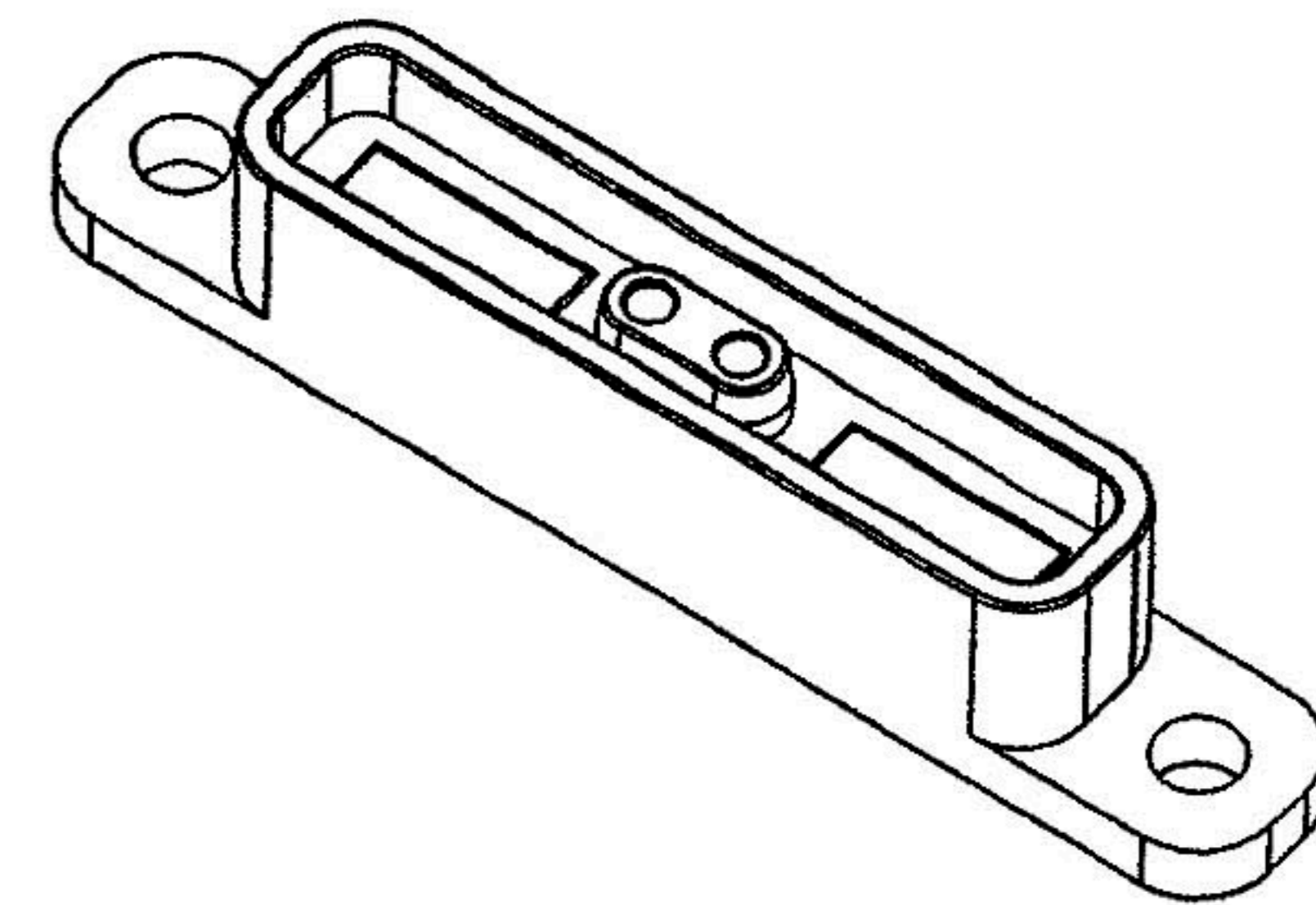
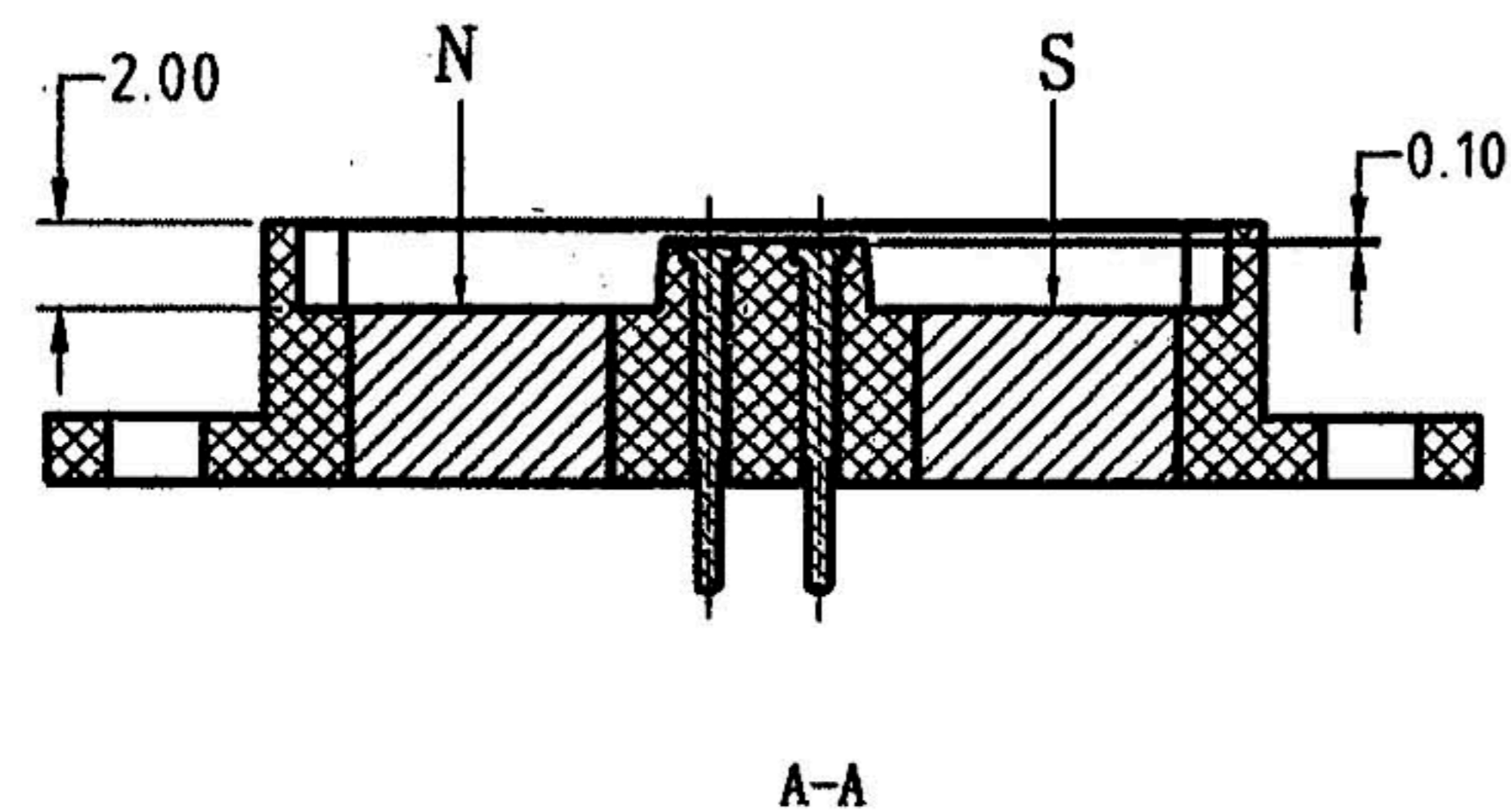
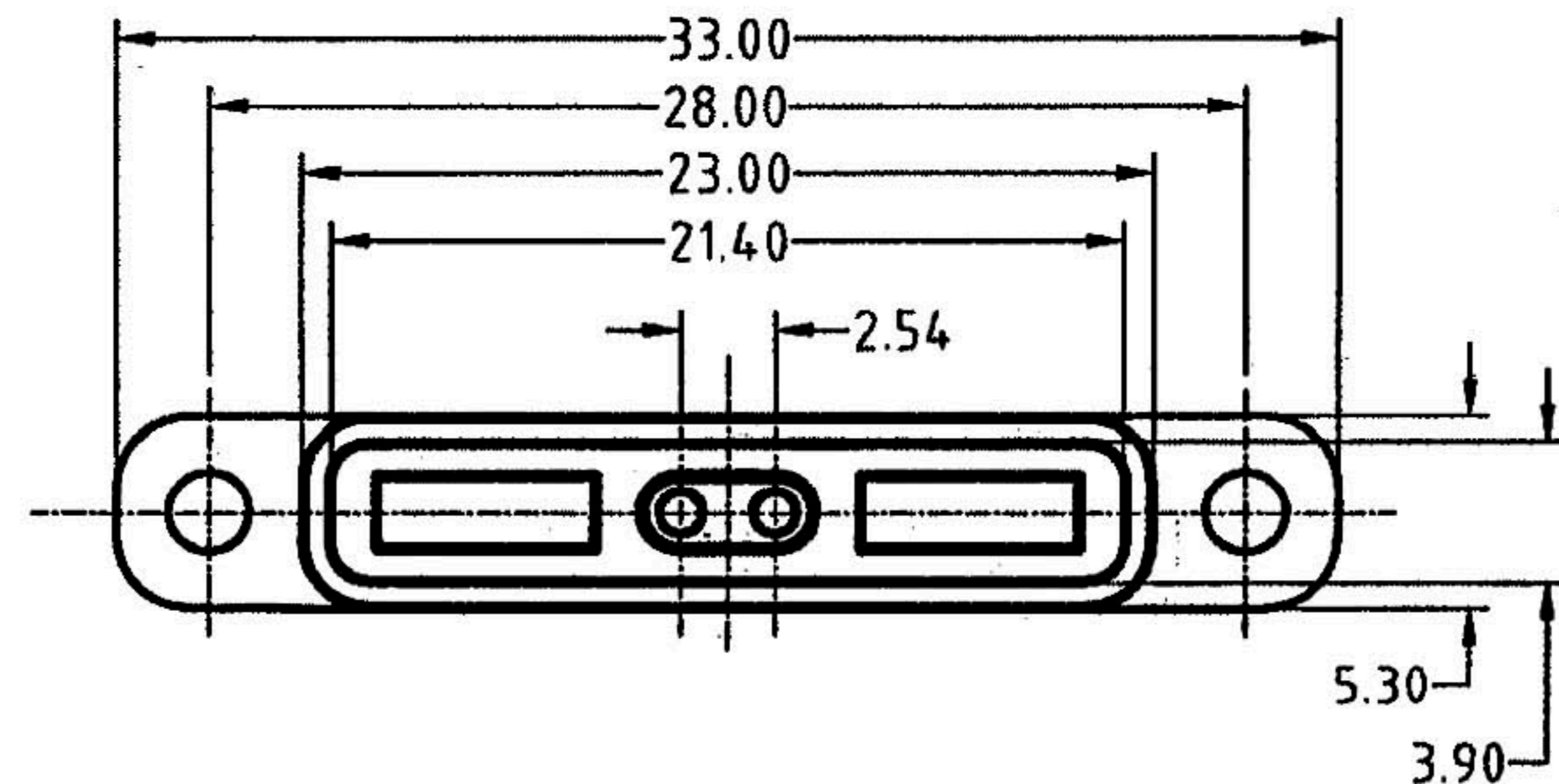
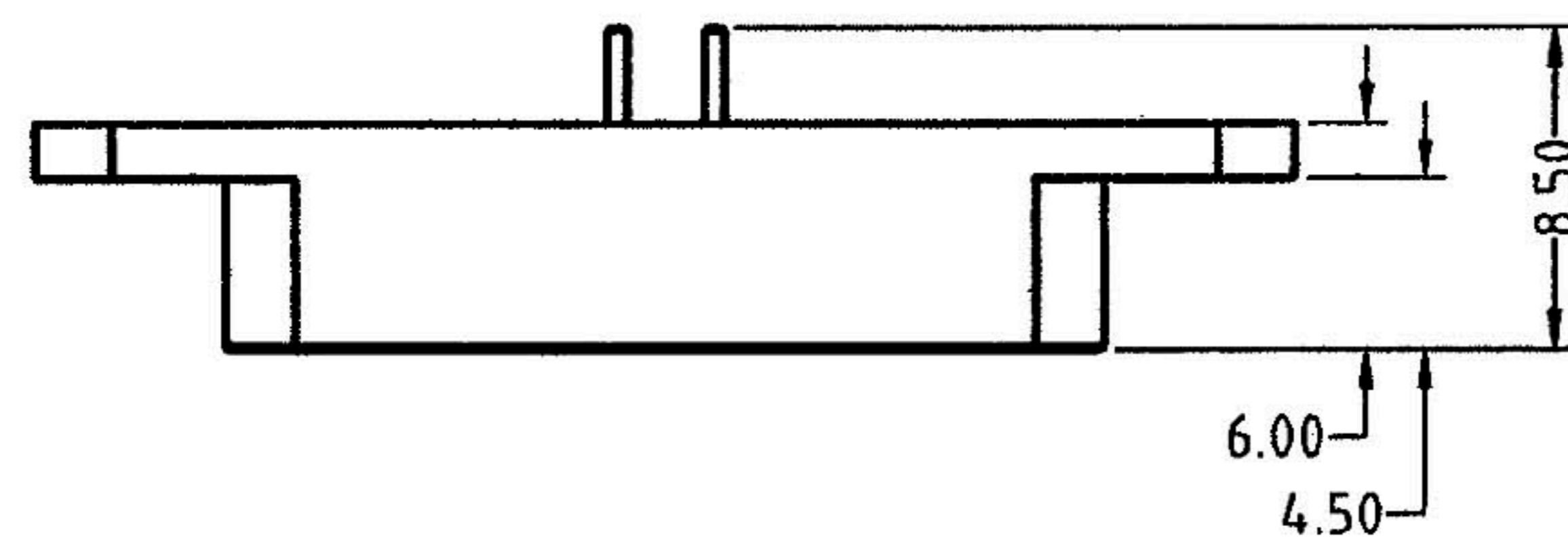


Note:
 Electrical:
 .Rated current & voltage: DC 12V, 3A
 .Contact resistance: 50 milliohm Max.



4	Pogo pin plating 0.125um Au	2
3	N52 NdFeB Magnet plating Ni-Cu-Ni	1
2	N52 NdFeB Magnet plating Ni-Cu-Ni	1
1	Black HTN UL94 V-0	1
<NO.>	<Specification>	<Qty>

RoHS
Compliant

HSM 玄茂科技股份有限公司
HSUAN MAO TECHNOLOGY CO., LTD.

APPD. 核准 HELEN
 DWG. 製圖 ABBY
 DATE 制表日 2021/11/19

SCALE 比例 參考
 UNIT 單位 MM
 PAGE 張數 1 OF 1

TOLERANCE
 ANGEL ±2°
 0~6 ±0.10
 6~30 ±0.20
 30~150 ±0.30
 SIZE. 紙張尺寸 A4
 REV. 版次 A
 PART NAME 品名
 2.54MM MAGNETIC POGO PIN CONNECTOR 180°
 2PIN FEMALE RATED CURRENT:3AMP
 GOLD 5U" PLATING BLACK COLOR
 INSULATOR MATERIAL:HTN UL94V-0 ROHS
 PART NO. 料號 C9552-02FBAMB0R