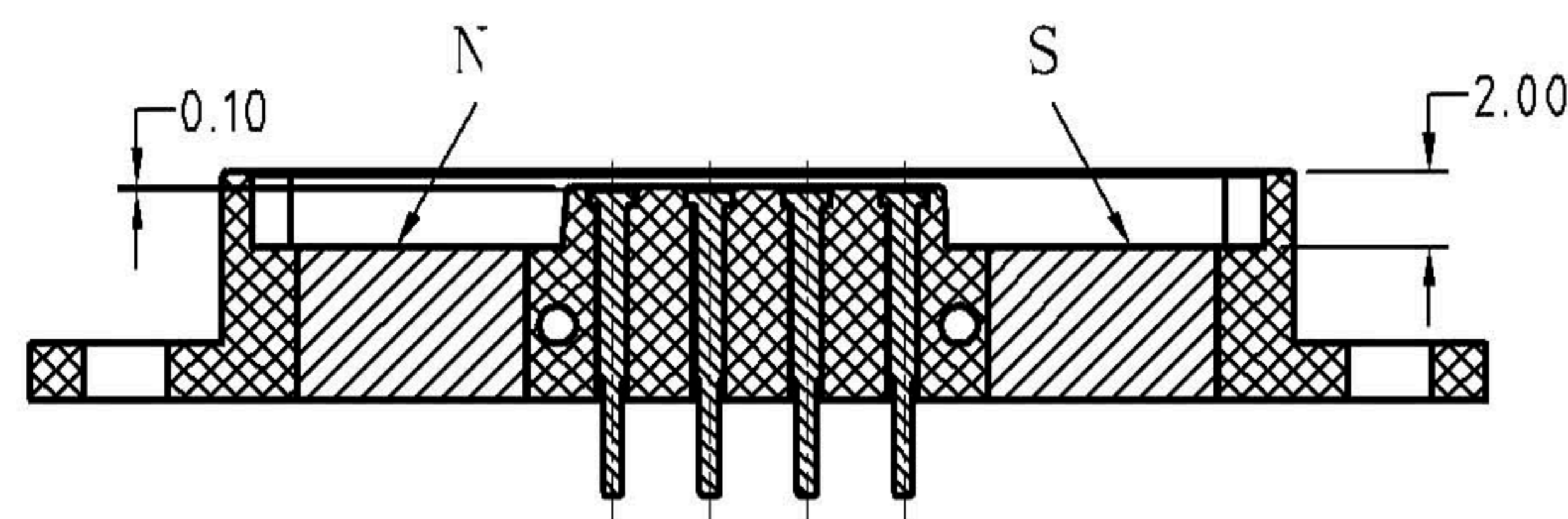
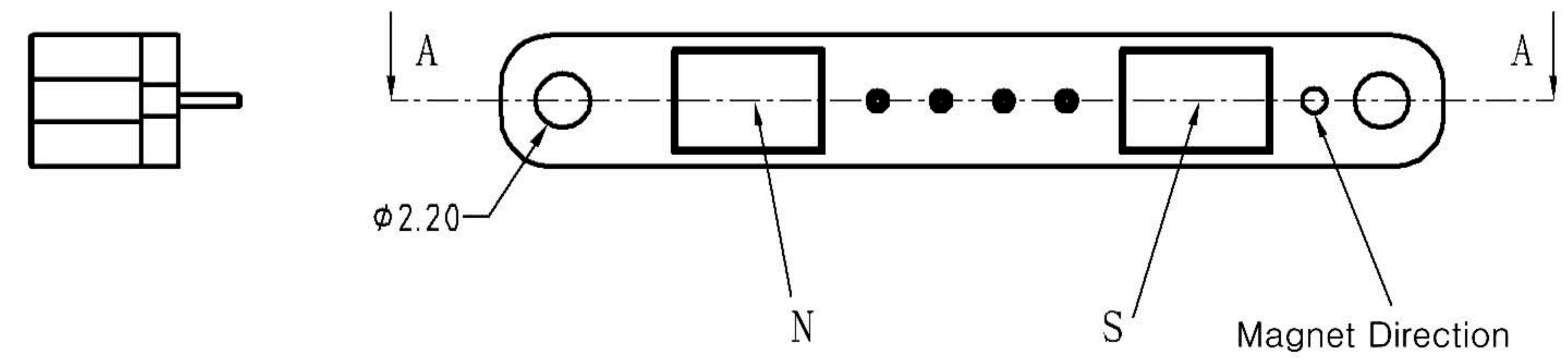
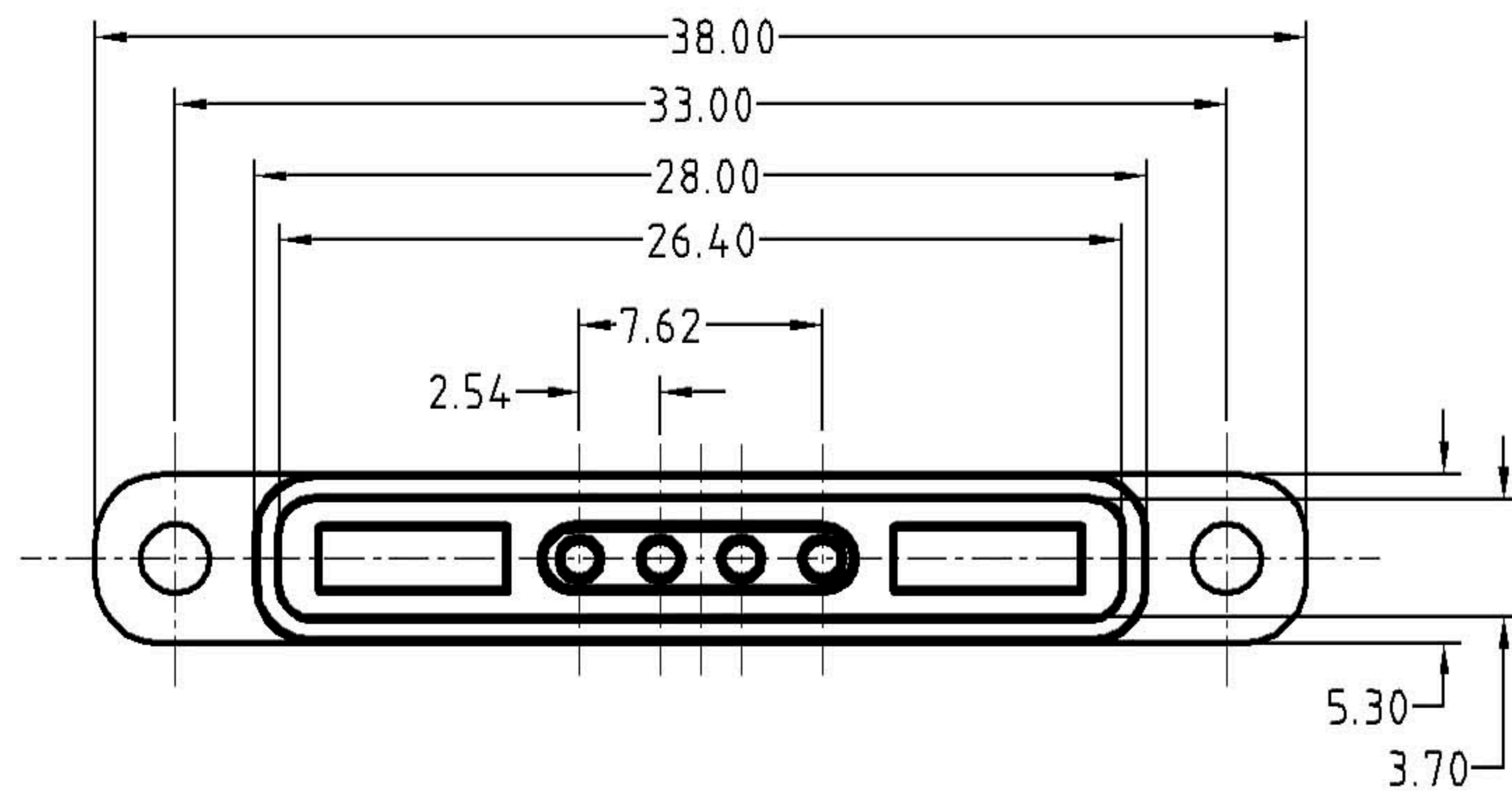
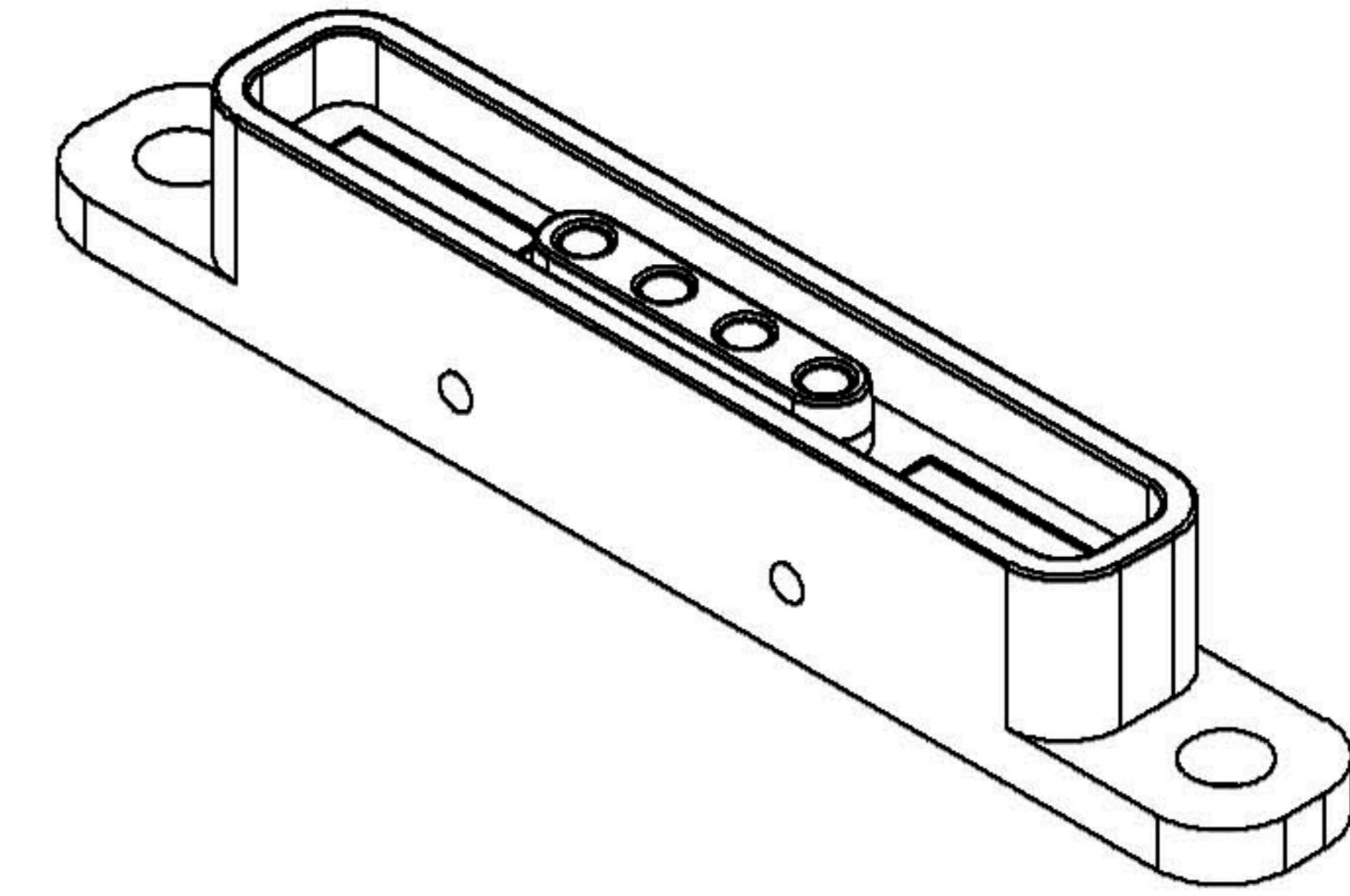
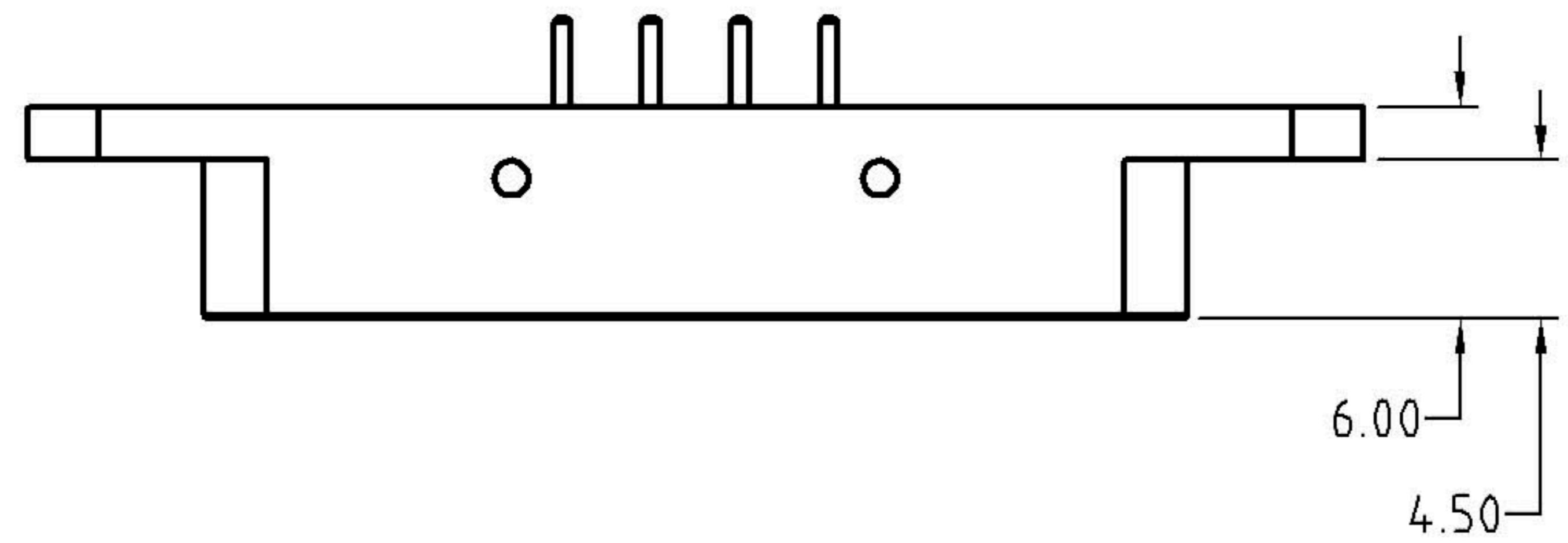


Note:  
 Electrical:  
 .Rated current & voltage: DC 12V, 3A  
 .Contact resistance: 50 milliohm Max.



A-A

4	Pogo pin plating 0.125um Au	4
3	N52 NdFeB Magnet plating Ni-Cu-Ni	1
2	N52 NdFeB Magnet plating Ni-Cu-Ni	1
1	Black HTN UL94 V-0	1
<NO.>	<Specification>	<Qty>

RoHS Compliant		<b>HSM 玄茂科技股份有限公司</b> <b>HSUAN MAO TECHNOLOGY CO., LTD.</b>	
APPD. 核准 <b>HELEN</b>		<b>TOLERANCE</b> ANGEL $\pm 2^\circ$ 0~6 $\pm 0.10$ 6~30 $\pm 0.20$ 30~150 $\pm 0.30$	<b>PART NAME 品名</b> 2.54MM MAGNETIC POGO PIN CONNECTOR 180° 4PIN FEMALE RATED CURRENT:3AMP GOLD 5U" PLATING BLACK COLOR INSULATOR MATERIAL:HTN UL94V-0 ROHS
DWG. 製圖 <b>ABBY</b>	SCALE 比例 參考 UNIT 單位 MM	SIZE. 紙張尺寸 A4	<b>PART NO.</b> 料號 C9552-04FBAMB0R
DATE 制表日 2021/11/19	PAGE 張數 1 OF 1	REV. 版次 A	