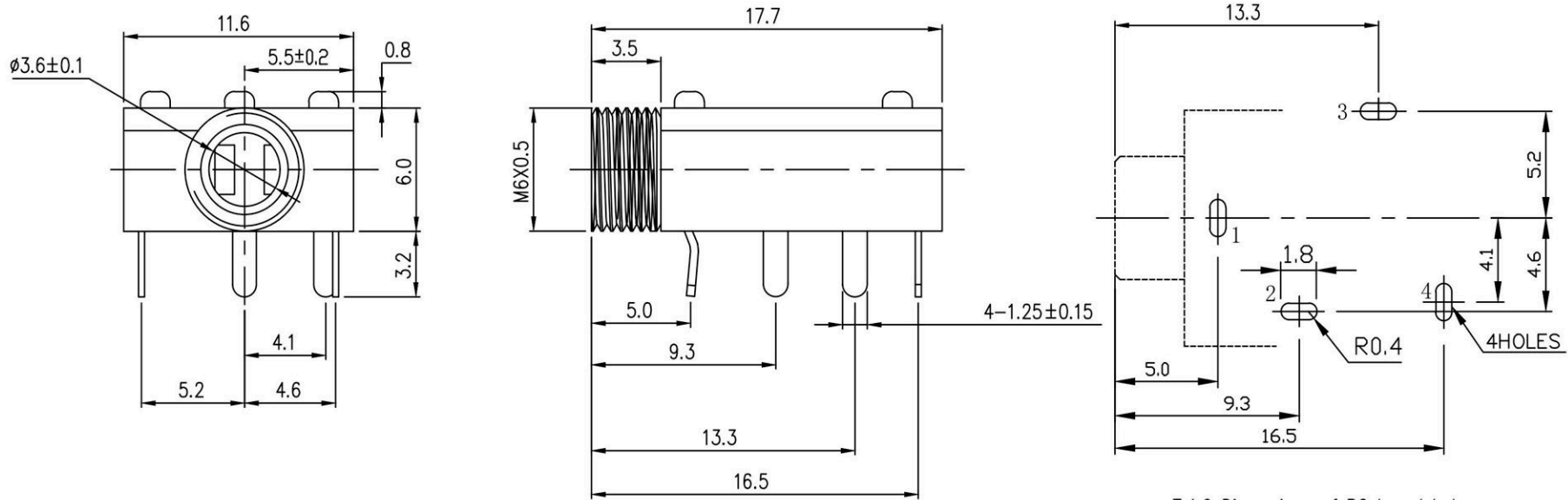
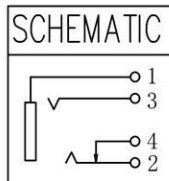
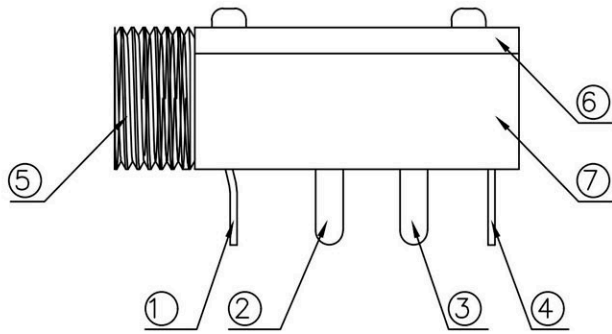


* RoHS COMPLIANT *



T:1.6 Dimensions of PC board holes
Tolerance : ±0.05(Printed-top view)



UNLESS OTHERWISE SPECIFIED, TOLERANCE ON DECIMAL: ±0.3

LEAD FREE

8	SPRING	2	SWC	
7	HOUSING	1	PBT 4815	UL-94V0
6	COVER	1	PC	
5	AXIS SUPPORT	1	H59(COPPER ALLOY)	Ni PLATED
4	SHUNT TERMINAL	1	C2680 t=0.30	Ag PLATED
3	RING SPRING	1	C5191 t=0.30	Ag PLATED
2	TIP SPRING	1	C2680 t=0.30	Ag PLATED
1	EARTH TERMINAL	1	C2680 t=0.45	Ag PLATED
LTR	PART NAME	QTY	MATERIAL	REMARK

RoHS Compliant **HSM** 玄茂科技股份有限公司
HSUAN MAO TECHNOLOGY CO., LTD.

APPD. 核准	SCALE 比例 参考	TOLERANCE 容許公差 0 ±0.35 .00 ±0.25 ANG. ±3°	PART NAME 品名 3.5Φ EARPHONE JACK 4PIN WITH METAL HEAD WITH THREAD SILVER PLATING BLACK INSULATOR ROHS
DWG. 製圖 Helen			
DATE 制表日 2016/8/10	PAGE 張數 1 OF 1	REV. 版本 A	PART NO. 料號 C9609-04BVB000R