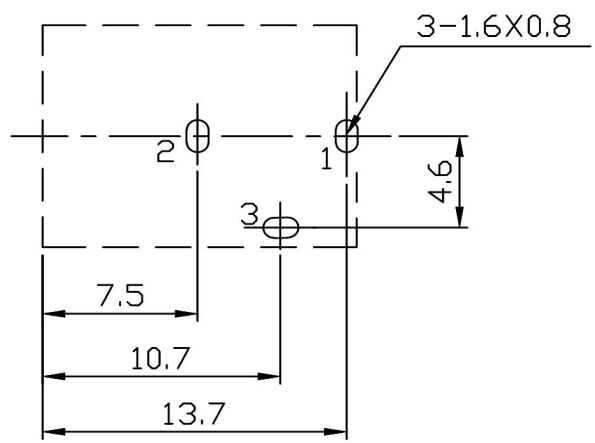
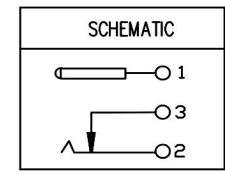
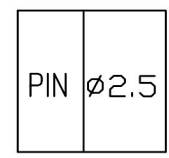
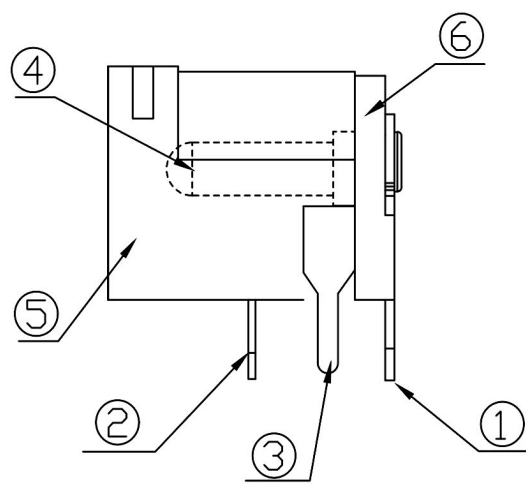
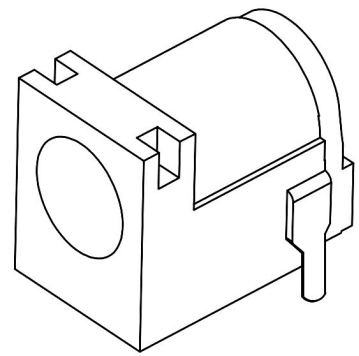


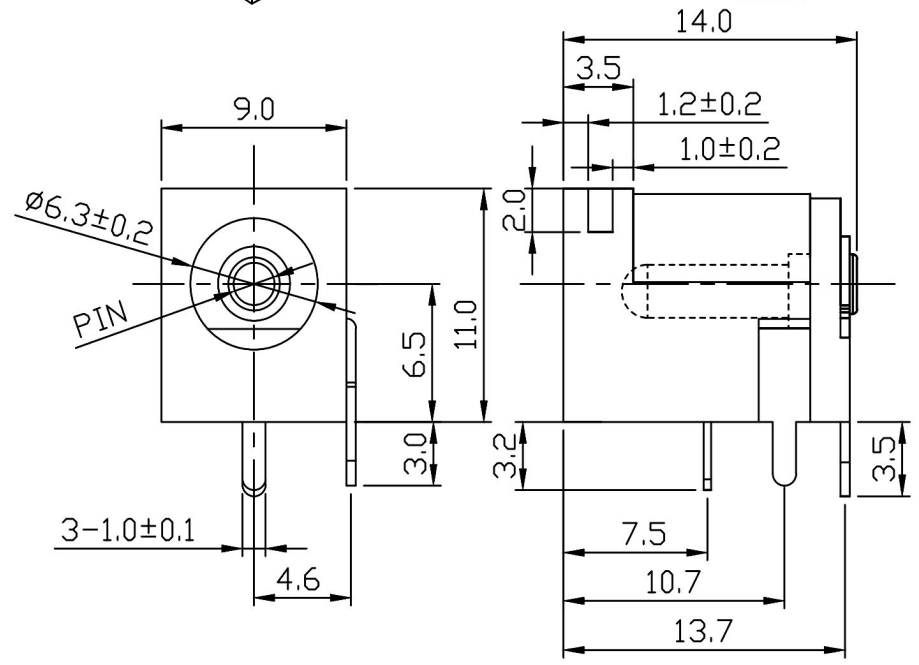
1 2 3 4 5 6 7 8

A
B
C
D
E
F
G
H

A
B
C
D
E
F
G
H



T:1.6 Dimensions of PC board holes
Tolerance : ±0.05(Printed-top view)



UNLESS OTHERWISE SPECIFIED, TOLERANCE ON DECIMAL:±0.3

| | | | | |
|-----|--------------|-----|-------------------|-----------|
| 6 | COVER | 1 | PBT | BLACK |
| 5 | HOUSING | 1 | PBT | BLACK |
| 4 | PIN | 1 | H59(COPPER ALLOY) | Ni PLATED |
| 3 | TERMINAL | 1 | C2680 t=0.35 | Ag PLATED |
| 2 | CURVE PIECE | 1 | C5191 t=0.25 | Ag PLATED |
| 1 | PIN TERMINAL | 1 | C2680 t=0.35 | Ag PLATED |
| LTR | PART NAME | QTY | MATERIAL | REMARK |

RoHS
Compliant

HSM 玄茂科技股份有限公司
HSUAN MAO TECHNOLOGY CO., LTD.

| | | | |
|-------------|-------------|-------------------|-------------------------------------|
| APPD. 核准 | SCALE 比例 | TOLERANCE 容許公差 | PART NAME 品名 |
| DWG. 製圖 | UNIT 單位 | SCALE 比例 | DC POWER JACK RIGHT ANGLE TYPE |
| DATE 制表日 | PAGE 張數 | UNIT 單位 | PIN OD:2.5mm NORMAL CLOSE FLAT TYPE |
| 2016/12/08 | 1 OF 1 | SCALE 比例 | NICKEL PLATED BLACK COLOR ROHS |
| Betty | M M | SCALE 比例 | PART NO. |
| | | SCALE 比例 | C9738-DCFNB000R |
| | | SCALE 比例 | 料號 |
| | | SCALE 比例 | |

1 2 3 4 5 6 7 8