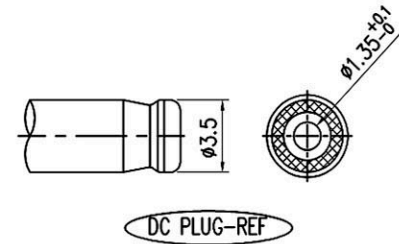


Recommend of PC Board Holes  
Tolerance : ±0.05(Top view)



Notes:

1. Electrical Characteristics:

- 1-1. Rating : DC 20 V 2.5 A ;
- 1-2. Contact Resistance: 30mΩ Max.(Initial),  
Between plug and contact 100mΩ Max;  
(Final) After Life test: ≤60mΩ ;
- 1-3. Dielectric Withstanding Voltage: 500V AC for One Minute ;
- 1-4. Insulation Resistance: 100MΩ Min. Measured By 500 VDC;

2. Mechanical Characteristics:

- 2-1. Plug Insertion Force 0.3~2.0Kgf (initial),  
0.3~2.0Kgf (Final) life test;
- 2-2. Plug Extraction Force: 0.3~2.0Kgf (initial),  
0.3~2.0Kgf (Final) life test;

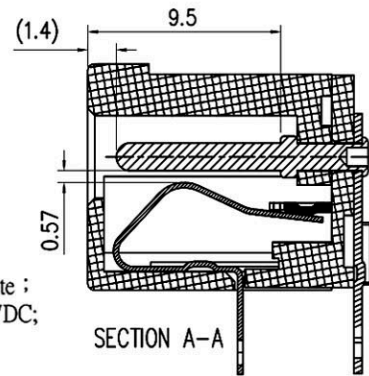
3. Durability Test: 5,000 Cycles min;

4. Operating temperature: -25°C ~ +70°C;

5. Soldering Heat Resistance Wave soldering 230°C ;

6. Plug Interface Dimensions Conform To EIAJ RC-5321 Spec;

7. Packaging: Plastic Bag;



6	COVER	1	PBT	UL-94V0(BLACK)
5	HOUSING	1	PBT	UL-94V0(BLACK)
4	FLAT PIECE	1	C2680 t=0.40	MB: Ni Sn PLATED
3	SPRING	1	C5210 t=0.25	MB: Ni Sn PLATED
2	CURVE PIECE	1	C2680 t=0.35	MB: Ni Sn PLATED
1	PIN	1	H65	Ni PLATED
LTR	PART NAME	QTY	MATERIAL	REMARK

RoHS  
Compliant

**HSM** 玄茂科技股份有限公司  
**HSUAN MAO TECHNOLOGY CO., LTD.**

APPD. 核准	Betty	TOLERANCE 零件公差	PART NAME 品名
DWG. 製圖	Lena		
DATE 制表日	2024/02/20	SCALE 比例	PART NO. 料號
PAGE 張數	1 OF 1	UNIT 單位	
		SIZE 線規尺寸	
		REV. 版本	
		A 4	
		A	