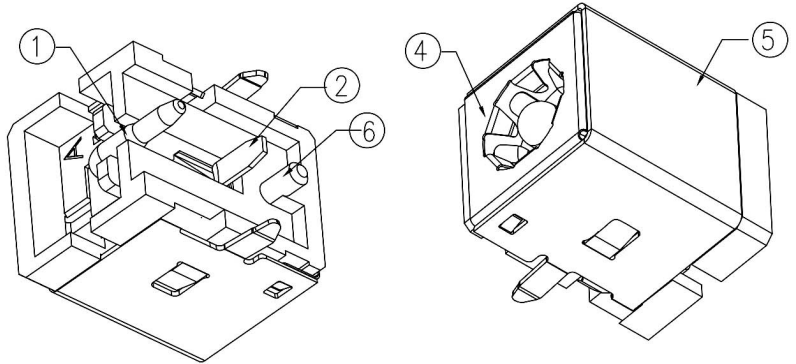


T:1.6 Dimensions of PC board holes
Tolerance : ±0.05(Printed-top view)

| | | | | |
|-----|---------------|-----|---------------|----------------|
| 6 | HOUSING | 1 | PA10T | UL-94V0(BLACK) |
| 5 | GROUND SHIELD | 1 | C5191 t=0.30 | Ni PLATED |
| 4 | SHIELD PLATE | 1 | SUS301 t=0.10 | |
| 3 | PEG | 1 | C2680 t=0.40 | |
| 2 | TIP SPRING | 1 | C5191 t=0.30 | Ag PLATED |
| 1 | CENTER PIN | 1 | ZINC ALLOY | Ni PLATED |
| LTR | PART NAME | QTY | MATERIAL | REMARK |



UNLESS OTHERWISE SPECIFIED, TOLERANCE ON DECIMAL: ±0.3

| | | | |
|------------------------|--|--|--|
| | 玄茂科技股份有限公司 HSUAN MAO TECHNOLOGY CO., LTD. | | |
| | APPD. 核准 Betty | SCALE 比例 参考 UNIT 單位 M M PAGE 張數 1 OF 1 | TOLERANCE 容許公差 .0 ± 0.30 .00 ± ANG. ± 3° SIZE. 紙張尺寸 A 4 REV. 版次 A |
| DATE 制表日 2016/10/04 | PART NAME 品名 DC POWER JACK PINØ2.5mm NORMAL OPEN TYPE NICKEL PLATING W/ LOCATING PEG BLACK COLOR ROHS | | PART NO. 料號 C9750-DPNB0000R |