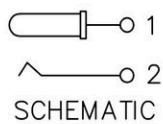
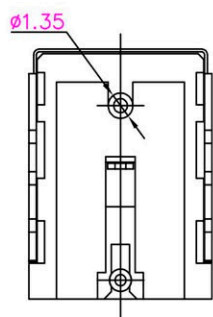
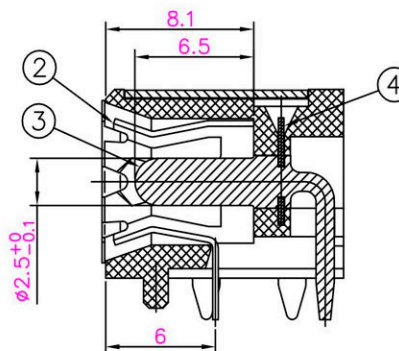
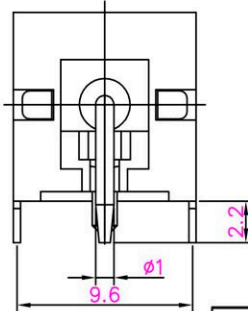
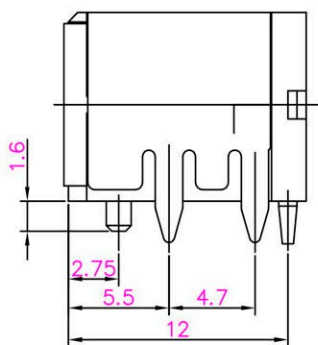
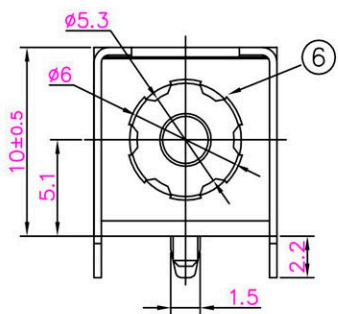


PCB MOUNTING HOLES
BOTTOM VIEW
(TOLERANCE: ±0.05)



ELECTRICAL
VOLTAGE RATING: 20V DC (R. M. S)
CURRENT RATING: 10A
CONTACT RESISTANCE: 30mΩ MAX.
INSULATION RESISTANCE: 100 MΩ MIN.
DIELECTRIC WITHSTAND VOLTAGE: 500V AC (R. A. M)
TEMPERATURE RANGE: -25° C TO +85° C

6	GROUND	1	SUS 304 0.15t	
5	SHELL	1	SPCC-SD 0.4t	CuSn-PLATING
4	TERMINAL	1	SUS 301 0.3t	
3	PIN	1	BRASS BAR	Au-PLATING
2	SPRING	1	COPPER ALLOY 0.3t	CuSn-PLATING
1	HOUSING	1	PA9T	UL 94V-0
LTR	PART NAME	QTY	MATERIAL (THICK. COLOR)	REMARK

RoHS Compliant
HSM 玄茂科技股份有限公司
HSUAN MAO TECHNOLOGY CO., LTD.

ANGULAR	±5°
16 < L ≤ 63	±0.4
4 < L ≤ 16	±0.3
L ≤ 4	±0.2
UNSPECIFIED TOLERANCE	

APPD. 核准	SCALE 比例 参考	TOLERANCE 容許公差	PART NAME 品名 DC POWER JACK φ2.5mm GOLD FLASH PLATING WITH LOCATING PEG BLACK INSULATOR ROHS
DWG. 製圖	UNIT 單位	SIZE 紙張尺寸	
DATE 制表日	PAGE 張數	REV. 版本	PART NO. 料號
2017/8/28			C9753-DGYB0000R