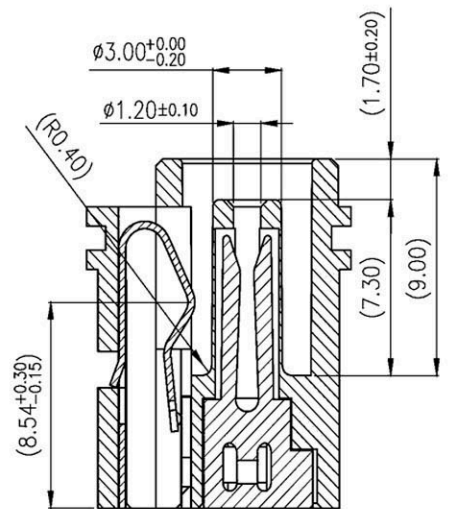
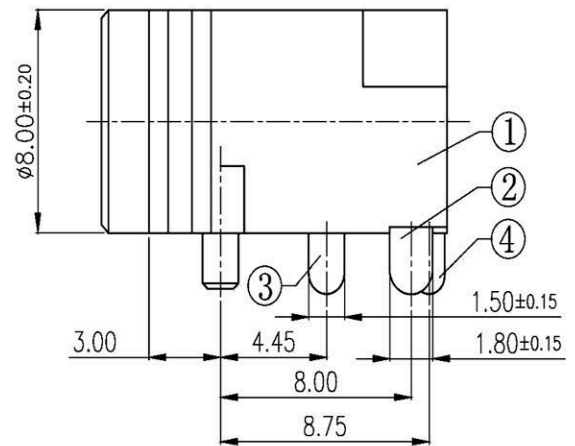
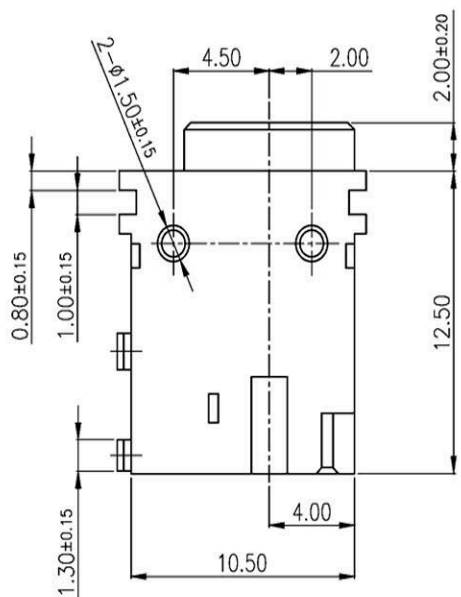


T:1.6 Dimensions of PC board holes
Tolerance : ±0.05(Printed-top view)



SECTION A-A

UNLESS OTHERWISE SPECIFIED, TOLERANCE ON DECIMAL: ±0.3

4	HOUSING	1	PA9T	UL-94V0(BLACK)
3	CURVE PIECE	1	C2680 t=0.40	Ag PLATED
2	SPRING PIECE	1	C5191 t=0.30	Ag PLATED
1	CONTACT FOOT	1	C5191 t=0.50	Ag PLATED
LTR	PART NAME	QTY	MATERIAL	REMARK

RoHS Compliant

HSM 玄茂科技股份有限公司
HSUAN MAO TECHNOLOGY CO., LTD.

APPD. 核准 Betty
DWG. 製圖 Lena
DATE 制表日 2020/1/22

SCALE 比例 參考
UNIT 單位 MM
PAGE 張數 1 OF 1

TOLERANCE 容許公差
0 ±
.00 ±
ANG. ±

PART NAME 品名
DC POWER JACK 90° PIN : 1.0mm NORMAL CLOSE
TYPE SILVER PLATED BLACK INSULATOR
W/ LOCATING PEG ROHS

PART NO. 料號
C9756-ECVBY000R